

SPECIFICATIONS:

1. MATERIAL:
 - (1) BODY: PA66 (UL 94V-0).
 - (2) COVER: PBT (UL 94V-0).
 - (3) LONG TERMINAL: BRASS.
 - (4) SHORT TERMINAL: BRASS.
2. ELECTRICAL RATING: 300V, 15A.
3. DIELECTRIC WITHSTAND: AC 2500V FOR 1 MINUTE.
4. BREAKDOWN VOLTAGE: 4000V.
5. INSULATION RESISTANCE: DC 1000V, 1000 MEGOHMS.
6. OPERATING TEMPERATURE: -40°C TO +105°C.
7. NUMBER OF CIRCUIT POSITIONS AVAILABLE= 4 THROUGH 48, EVEN NUMBERED CIRCUIT SIZES ONLY.
8. ALL COMPONENTS ARE ROHS COMPLIANT.

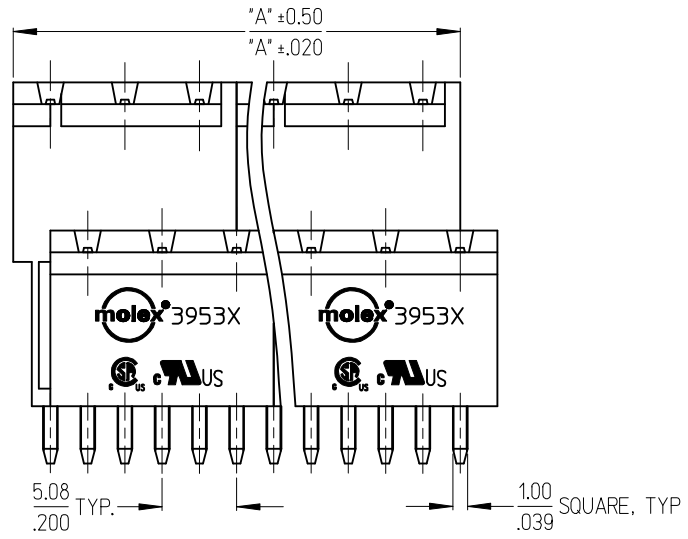
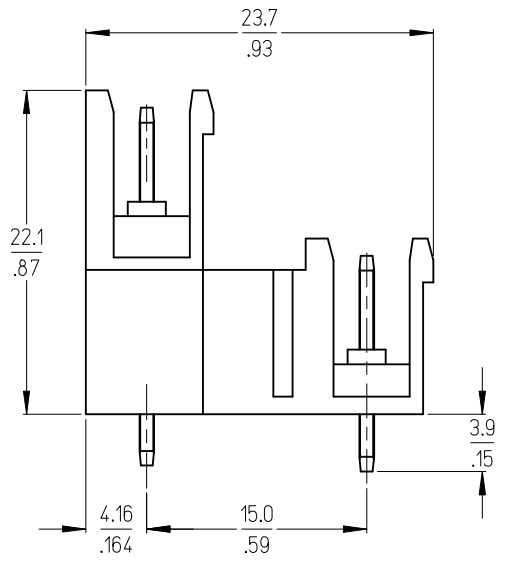
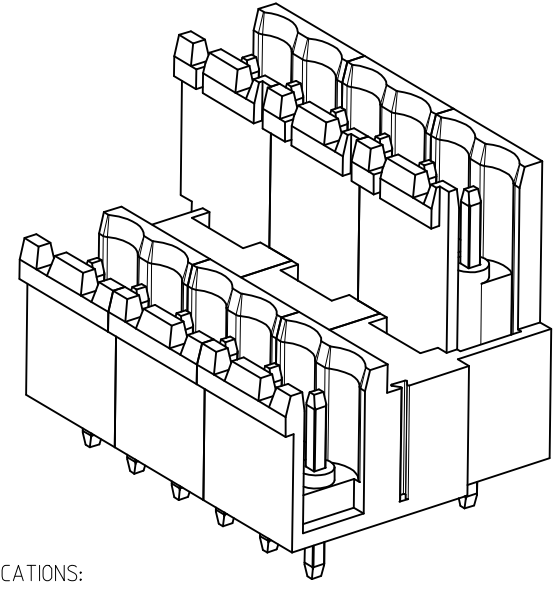
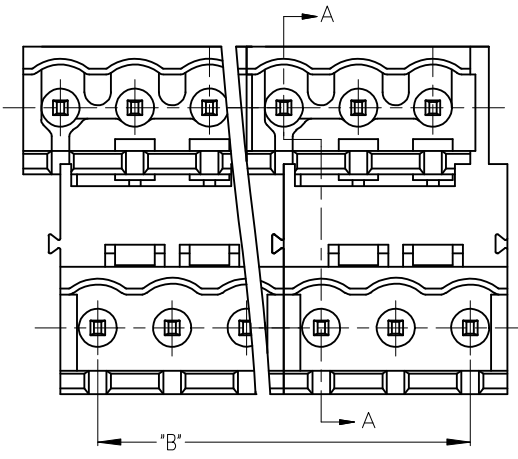
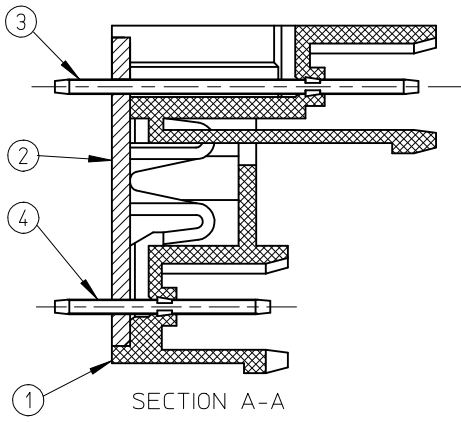
TOLERANCES			
MM	TOL	INCH	TOL
0-6	±0.25	0-.24	±.010
>6-30	±0.40	.24-1.18	±.016
>30-120	±0.50	1.18-4.76	±.020
>120	±0.80	>4.76	±.031

REVISED DOC TOL
 EC NO: IFC2017-0881
 DRAWN: ABENJAMIN W 2017/03/22
 CHKD:
 APPR: BRUPERT 2017/04/18
 A1

QUALITY SYMBOLS ▽=0 ▽=0	GENERAL TOLERANCES (UNLESS SPECIFIED)	
	mm	INCH
	4 PLACES	± --- ± ---
	3 PLACES	± --- ± ---
	2 PLACES	± --- ± ---
	1 PLACE	± --- ± ---
	ANGULAR ± --- °	
DRAFT WHERE APPLICABLE MUST REMAIN WITHIN DIMENSIONS		

DIMENSION STYLE	
MM/IN	
DRAWN BY	DATE
C. YORK	2006/07/24
CHECKED BY	DATE
J. PAWLICKI	2006/07/24
APPROVED BY	DATE
J. PAWLICKI	2006/07/24
MATERIAL NO.	
SEE SHT. 2	

SCALE	DESIGN UNITS	THIRD ANGLE PROJECTION
	INCH	
TITLE		
5.08MM, EURO DUAL HEADER VERTICAL, OPEN END, STACKABLE		
Molex MOLEX INCORPORATED		SHEET NO.
DOCUMENT NO.		1 OF 2
SD-39538-003		
THIS DRAWING CONTAINS INFORMATION THAT IS PROPRIETARY TO MOLEX INCORPORATED AND SHOULD NOT BE USED WITHOUT WRITTEN PERMISSION		



SPECIFICATIONS:

1. MATERIAL:
 - (1) BODY: PA66 (UL 94V-0).
 - (2) COVER: PBT (UL 94V-0).
 - (3) LONG TERMINAL: BRASS.
 - (4) SHORT TERMINAL: BRASS.
2. ELECTRICAL RATING: 300V, 15A.
3. DIELECTRIC WITHSTAND: AC 2500V FOR 1 MINUTE.
4. BREAKDOWN VOLTAGE: 4000V.
5. INSULATION RESISTANCE: DC 1000V, 1000 MEGOHMS.
6. OPERATING TEMPERATURE: -40°C TO +105°C.
7. NUMBER OF CIRCUIT POSITIONS AVAILABLE= 4 THROUGH 48, EVEN NUMBERED CIRCUIT SIZES ONLY.
8. ALL COMPONENTS ARE ROHS COMPLIANT.

TOLERANCES			
MM	TOL	INCH	TOL
0-6	±0.25	0-.24	±.010
>6-30	±0.40	.24-1.18	±.016
>30-120	±0.50	1.18-4.76	±.020
>120	±0.80	>4.76	±.031

REVISED DOC TOL
 EC NO: IFC2017-0881
 DRAWN: ABENJAMIN W 2017/03/22
 CHKD:
 APPR: BRUPERT 2017/04/18
 A1

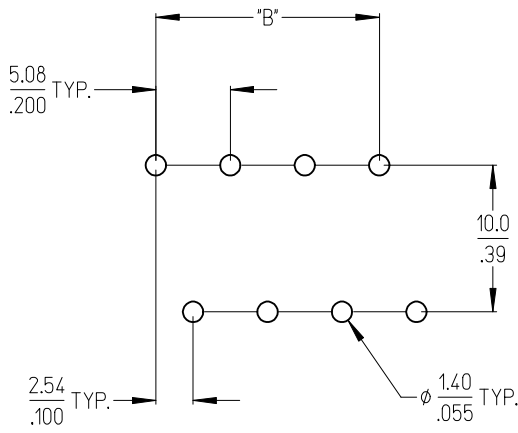
QUALITY SYMBOLS ▽=0 ▽=0	GENERAL TOLERANCES (UNLESS SPECIFIED)	
	mm	INCH
	4 PLACES	± --- ± ---
	3 PLACES	± --- ± ---
	2 PLACES	± --- ± ---
	1 PLACE	± --- ± ---
	ANGULAR ± --- °	
DRAFT WHERE APPLICABLE MUST REMAIN WITHIN DIMENSIONS		

DIMENSION STYLE MM/IN	
DRAWN BY C. YORK	DATE 2006/07/24
CHECKED BY J. PAWLICKI	DATE 2006/07/24
APPROVED BY J. PAWLICKI	DATE 2006/07/24
MATERIAL NO.	

SCALE INCH	DESIGN UNITS INCH	THIRD ANGLE PROJECTION
TITLE 5.08MM, EURO DUAL HEADER VERTICAL, OPEN END, STACKABLE		
Molex MOLEX INCORPORATED		SHEET NO. 1 OF 2
DOCUMENT NO. SD-39538-003		

THIS DRAWING CONTAINS INFORMATION THAT IS PROPRIETARY TO MOLEX INCORPORATED AND SHOULD NOT BE USED WITHOUT WRITTEN PERMISSION

Circuit size	Material Numbers				Dimensional Information			
	Black		Green		Dim. A		Dim D	
	100% Tin	30 u" Gold	100% Tin	30 u" Gold	mm	inch	mm	inch
4	395382004	395382504	395387004	395387504	10.16	0.400	5.08	0.200
6	395382006	395382506	395387006	395387506	15.24	0.600	10.16	0.400
8	395382008	395382508	395387008	395387508	20.32	0.800	15.24	0.600
10	395382010	395382510	395387010	395387510	25.40	1.000	20.32	0.800
12	395382012	395382512	395387012	395387512	30.48	1.200	25.40	1.000
14	395382014	395382514	395387014	395387514	35.56	1.400	30.48	1.200
16	395382016	395382516	395387016	395387516	40.64	1.600	35.56	1.400
18	395382018	395382518	395387018	395387518	45.72	1.800	40.64	1.600
20	395382020	395382520	395387020	395387520	50.80	2.000	45.72	1.800
22	395382022	395382522	395387022	395387522	55.88	2.200	50.80	2.000
24	395382024	395382524	395387024	395387524	60.96	2.400	55.88	2.200
26	395382026	395382526	395387026	395387526	66.04	2.600	60.96	2.400
28	395382028	395382528	395387028	395387528	71.12	2.800	66.04	2.600
30	395382030	395382530	395387030	395387530	76.20	3.000	71.12	2.800
32	395382032	395382532	395387032	395387532	81.28	3.200	76.20	3.000
34	395382034	395382534	395387034	395387534	86.36	3.400	81.28	3.200
36	395382036	395382536	395387036	395387536	91.44	3.600	86.36	3.400
38	395382038	395382538	395387038	395387538	96.52	3.800	91.44	3.600
40	395382040	395382540	395387040	395387540	101.60	4.000	96.52	3.800
42	395382042	395382542	395387042	395387542	106.68	4.200	101.60	4.000
44	395382044	395382544	395387044	395387544	111.76	4.400	106.68	4.200
46	395382046	395382546	395387046	395387546	116.84	4.600	111.76	4.400
48	395382048	395382548	395387048	395387548	121.92	4.800	116.84	4.600

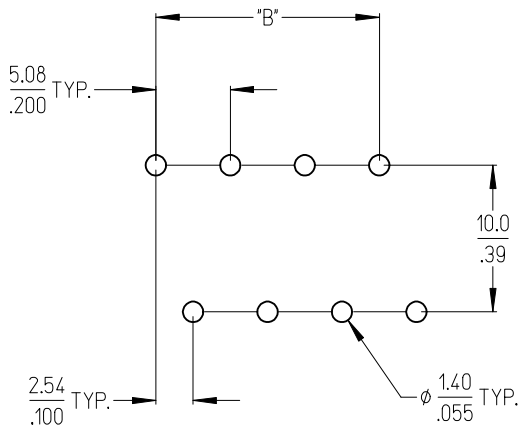


RECOMMENDED PCB LAYOUT

TOLERANCES			
MM	TOL	INCH	TOL
0-6	±0.25	0-.24	±.010
>6-30	±0.40	.24-1.18	±.016
>30-120	±0.50	1.18-4.76	±.020
>120	±0.80	>4.76	±.031

REVISED DOC TOL EC NO: IFC2017-0861 DRAWN: BENJAMIN W 2017/03/22 CHKD: APPR: BRUPERT 2017/04/18 A1	QUALITY SYMBOLS ▽=0 ▽=0	GENERAL TOLERANCES (UNLESS SPECIFIED) mm INCH 4 PLACES ± --- ± --- 3 PLACES ± --- ± --- 2 PLACES ± --- ± --- 1 PLACE ± --- ± --- ANGULAR ± ---°	DIMENSION STYLE MM/IN DRAWN BY DATE C. YORK 2006/07/24 CHECKED BY DATE J. PAWLICKI 2006/07/24 APPROVED BY DATE J. PAWLICKI 2006/07/24	SCALE DESIGN UNITS INCH THIRD ANGLE PROJECTION
	DRAFT WHERE APPLICABLE MUST REMAIN WITHIN DIMENSIONS		MATERIAL NO. SEE CHART	TITLE 5.08MM, EURO DUAL HEADER VERTICAL, OPEN END, STACKABLE MOLEX MOLEX INCORPORATED
			SHEET NO. 2 OF 2	
	THIS DRAWING CONTAINS INFORMATION THAT IS PROPRIETARY TO MOLEX INCORPORATED AND SHOULD NOT BE USED WITHOUT WRITTEN PERMISSION			

Circuit size	Material Numbers				Dimensional Information			
	Black		Green		Dim. A		Dim D	
	100% Tin	30 u" Gold	100% Tin	30 u" Gold	mm	inch	mm	inch
4	395382004	395382504	395387004	395387504	10.16	0.400	5.08	0.200
6	395382006	395382506	395387006	395387506	15.24	0.600	10.16	0.400
8	395382008	395382508	395387008	395387508	20.32	0.800	15.24	0.600
10	395382010	395382510	395387010	395387510	25.40	1.000	20.32	0.800
12	395382012	395382512	395387012	395387512	30.48	1.200	25.40	1.000
14	395382014	395382514	395387014	395387514	35.56	1.400	30.48	1.200
16	395382016	395382516	395387016	395387516	40.64	1.600	35.56	1.400
18	395382018	395382518	395387018	395387518	45.72	1.800	40.64	1.600
20	395382020	395382520	395387020	395387520	50.80	2.000	45.72	1.800
22	395382022	395382522	395387022	395387522	55.88	2.200	50.80	2.000
24	395382024	395382524	395387024	395387524	60.96	2.400	55.88	2.200
26	395382026	395382526	395387026	395387526	66.04	2.600	60.96	2.400
28	395382028	395382528	395387028	395387528	71.12	2.800	66.04	2.600
30	395382030	395382530	395387030	395387530	76.20	3.000	71.12	2.800
32	395382032	395382532	395387032	395387532	81.28	3.200	76.20	3.000
34	395382034	395382534	395387034	395387534	86.36	3.400	81.28	3.200
36	395382036	395382536	395387036	395387536	91.44	3.600	86.36	3.400
38	395382038	395382538	395387038	395387538	96.52	3.800	91.44	3.600
40	395382040	395382540	395387040	395387540	101.60	4.000	96.52	3.800
42	395382042	395382542	395387042	395387542	106.68	4.200	101.60	4.000
44	395382044	395382544	395387044	395387544	111.76	4.400	106.68	4.200
46	395382046	395382546	395387046	395387546	116.84	4.600	111.76	4.400
48	395382048	395382548	395387048	395387548	121.92	4.800	116.84	4.600



RECOMMENDED PCB LAYOUT

TOLERANCES			
MM	TOL	INCH	TOL
0-6	±0.25	0-.24	±.010
>6-30	±0.40	.24-1.18	±.016
>30-120	±0.50	1.18-4.76	±.020
>120	±0.80	>4.76	±.031

REVISED DOC TOL EC NO: IFC2017-0861 DRAWN: BENJAMIN W 2017/03/22 CHKD: APPR: BRUPERT 2017/04/18 A1	QUALITY SYMBOLS	GENERAL TOLERANCES (UNLESS SPECIFIED)	DIMENSION STYLE	SCALE	DESIGN UNITS	THIRD ANGLE PROJECTION
	▽=0	mm INCH	MM/IN	INCH	INCH	☉
	▽=0	4 PLACES ± --- ± ---	DRAWN BY DATE	TITLE		
		3 PLACES ± --- ± ---	C. YORK 2006/07/24	5.08MM, EURO DUAL HEADER VERTICAL, OPEN END, STACKABLE		
	2 PLACES ± --- ± ---	CHECKED BY DATE	MATERIAL NO.			
	1 PLACE ± --- ± ---	J. PAWLICKI 2006/07/24	SD-39538-003			
	ANGULAR ± ---°	APPROVED BY DATE	DOCUMENT NO.			
		J. PAWLICKI 2006/07/24	SD-39538-003			
			SEE CHART		SHEET NO.	
			SIZE B		2 OF 2	
			THIS DRAWING CONTAINS INFORMATION THAT IS PROPRIETARY TO MOLEX INCORPORATED AND SHOULD NOT BE USED WITHOUT WRITTEN PERMISSION			