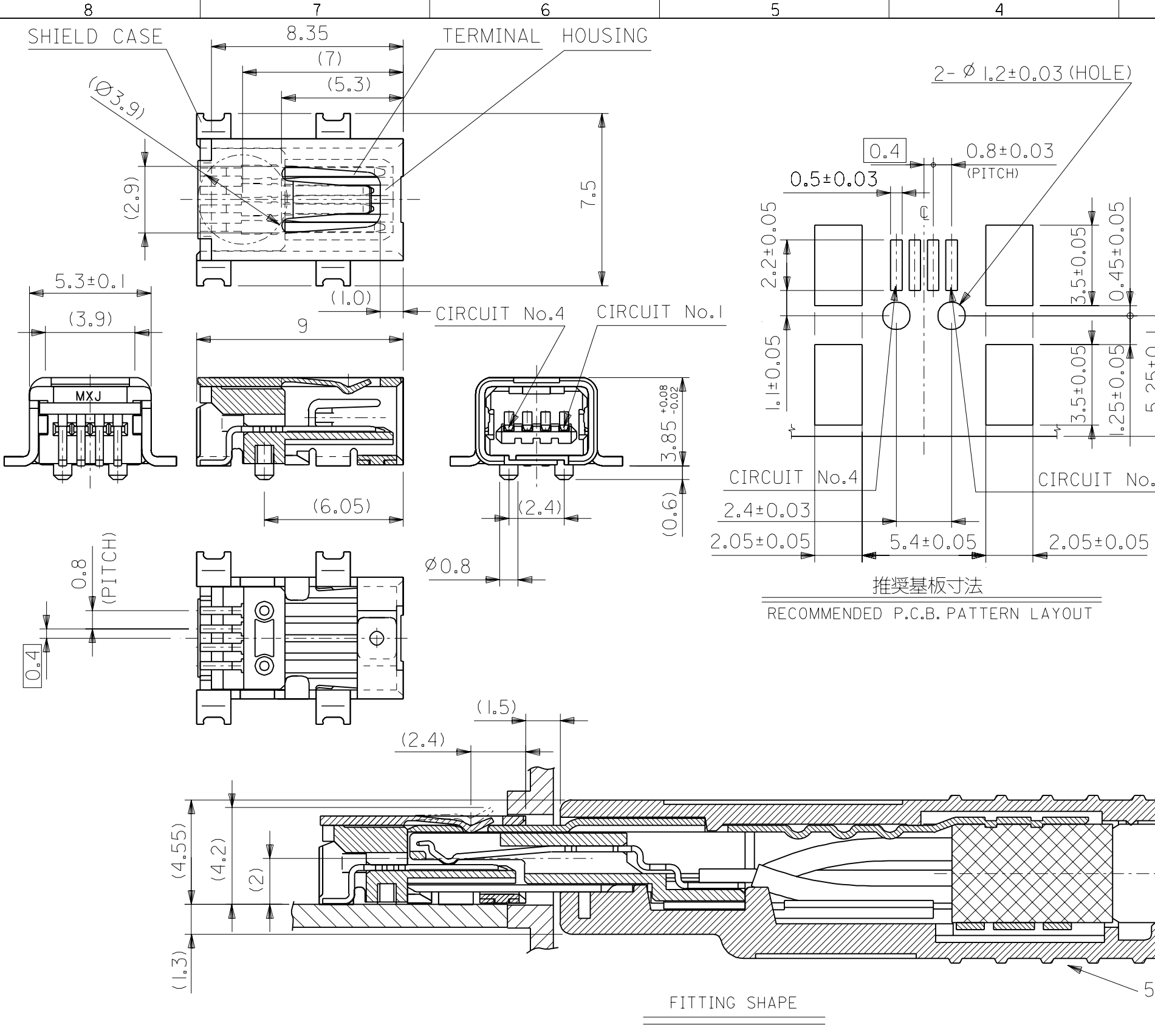


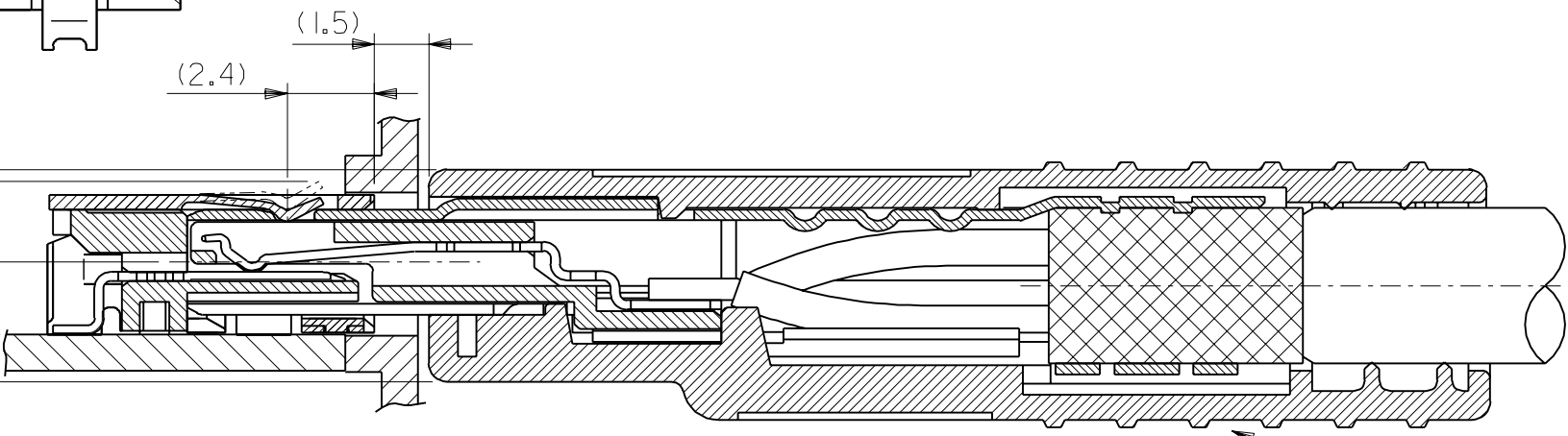
DWG. NO. SD-59110-006



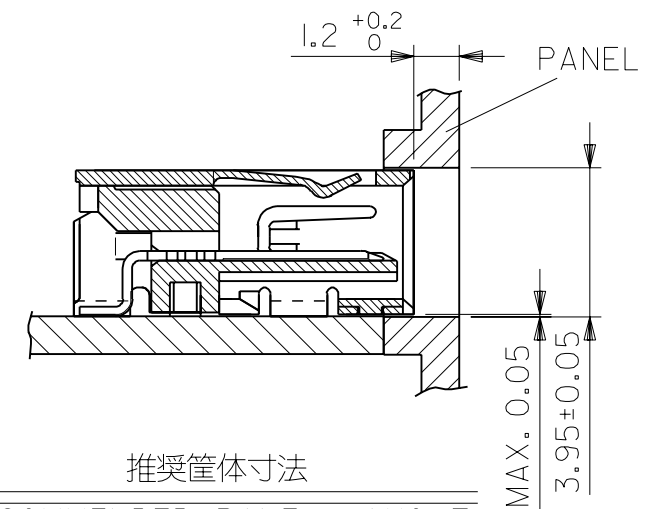
注記 NOTES

- 材質 MATERIAL
ハウジング:液晶ポリマー 黒色 UL94V-0
HOUSING:LIQUID CRYSTAL POLYMER BLACK UL94V-0
ターミナル:黄銅 (t=0.254)
TERMINAL:BRASS(t=0.254)
シールド ケース:銅合金 (t=0.4)
SHIELD CASE:COPPER ALLOY(t=0.4)
- メッキ仕様 PLATING
ターミナル TERMINAL
接点部:金メッキ 0.76µm MIN.
CONTACT AREA:GOLD 0.76MICRO METER MIN.
半田付け部:錫メッキ 1.0µm MIN.
SOLDER TAIL AREA:TIN 1.0MICRO METER MIN.
下地部:ニッケルメッキ 1.5µm MIN.
UNDER PLATING:NICKEL 1.5MICRO METER MIN.
シールド ケース SHIELD CASE
:錫メッキ 1.0µm MIN.
:TIN 1.0MICRO METER MIN.
下地部:ニッケルメッキ 4.0µm MIN.
UNDER PLATING:NICKEL 4.0MICRO METER MIN.
- テール、ネール平坦度は 0.1mm MAX.
TAIL, NAIL COPLANARITY 0.1mm MAX.
- 嵌合相手:59204シリーズ
MATING MATERIAL:59204SERIES
- 本製品は59110-**-21の鉛フリー品である。
THIS PRODUCT IS LEAD FREE OF 59110-**-21.

推奨基板寸法
RECOMMENDED P.C.B. PATTERN LAYOUT



FITTING SHAPE



推奨筐体寸法
RECOMMENDED PANEL LAYOUT

DO NOT SCALE DRAWING

EC NO. DRWN: CH'K: APPR:	EC NO. DRWN: CH'K: APPR:	EC NO. DRWN: CH'K: APPR:	EC NO. DRWN: CH'K: APPR:	REV	MATERIAL 材料	GENERAL TOLERANCES: (UNLESS SPECIFIED) 一般公差	SCALE	MODEL NO.	59110-**-29	DIMENSIONS:	SHT	REV
				0	SEE NOTES	10 UNDER 未満 ±0.2	5 - 1	DESIGN UNITS	THIRD ANGLE PROJECTION	mm INCH		
					SEE NOTES	10 OVER 以上 30 UNDER 未満 ±0.25		DRAWN BY & DATE		mm ONLY		
					FINISH 仕上げ	30 OVER 以上 ±0.3		Y.WADA '04/04/19	TITLE:			
					RELEASED	ANGLE 角度 ±3°		CHECKED BY & DATE	0.8 I/O CONN. REC. ASS'Y -LEAD FREE-			
					EC NO. J2004-3869			M.SASAO '04/04/19	MOLEX INCORPORATED			
					DRWN: Y.WADA '04/04/19			APPROVED BY & DATE	MATERIAL NO.	DRAWING NO.	SHEET NO.	
					CH'K: M.SASAO '04/04/19			M.SASAO '04/04/19	59110-0429	SD-59110-006	1 OF 1	
					APPR: M.SASAO '04/04/19			CAD FILENAME				SIZE
					WIRE RANGE 適用電線範囲			SD-59110-006.S01				B
					INS. RANGE 被覆外径			THIS DRAWING CONTAINS INFORMATION THAT IS PROPRIETARY TO MOLEX INCORPORATED AND SHOULD NOT BE USED WITHOUT WRITTEN PERMISSION.				