

THIS DRAWING IS UNPUBLISHED.

RELEASED FOR PUBLICATION

20

© COPYRIGHT 20 BY -

ALL RIGHTS RESERVED.

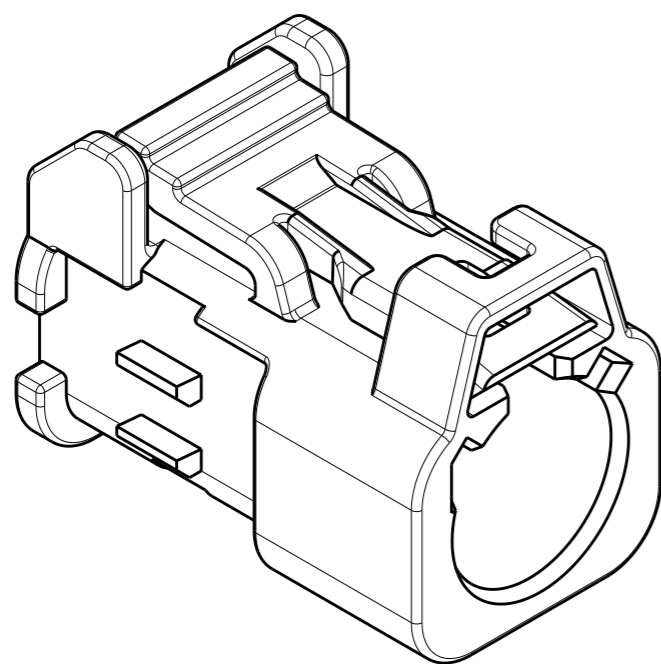
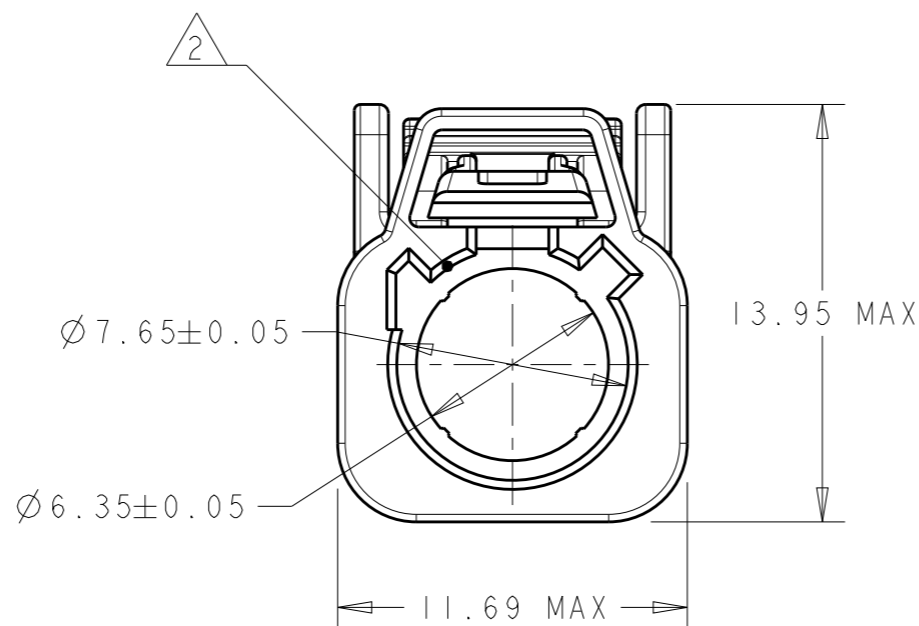
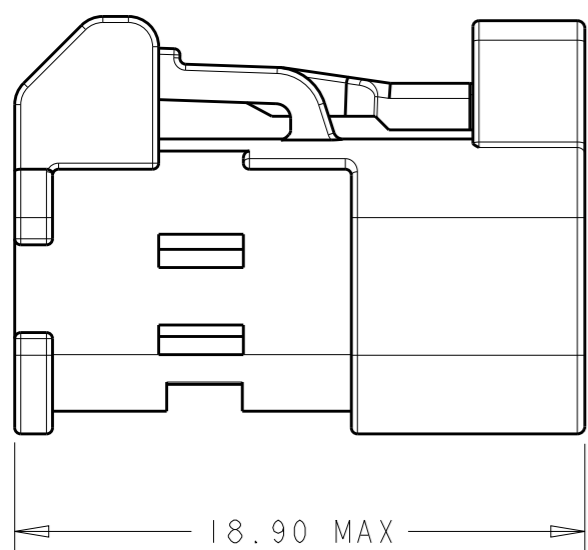
REVISIONS

P	LTR	DESCRIPTION	DATE	DWN	APVD
	D1	REVISED PER ECO-15-015026	19OCT2015	DD	LV
	D2	REVISED PER ECO-16-005357	06APR2016	DD	LV
	D3	ECO-20-011767	02SEP2020	KP	MB

1 POLYESTER PBT, COLOR: SEE TABLE.

2 PLUG HOUSING ACCEPTS JACK HOUSINGS MEETING DIN 72594-1, ROAD VEHICLES - RADIO FREQUENCY INTERFACE - DIMENSIONS AND ELECTRICAL REQUIREMENTS.

3. SEE INSTRUCTION SHEET 408-10028.



ISOMETRIC VIEW

PER DETAIL M	M	PASTEL ORANGE	1-1438893-2
PER DETAIL K	K	CURRY	1-1438893-0
PER DETAIL I	I	BEIGE	1438893-9
PER DETAIL H	H	HEATHER VIOLET	1438893-8
PER DETAIL G	G	BLUE GRAY	1438893-7
PER DETAIL F	F	NUT BROWN	1438893-6
PER DETAIL E	E	LEAF GREEN	1438893-5
PER DETAIL D	D	CLARET VIOLET	1438893-4
PER DETAIL C	C	SIGNAL BLUE	1438893-3
PER DETAIL B	B	SIGNAL WHITE	1438893-2
PER DETAIL A	A	JET BLACK	1438893-1
KEYING	CODING REF	HOUSING COLOR	PART NUMBER

THIS DRAWING IS A CONTROLLED DOCUMENT.

DWN 04JAN2006  
D. J. HARDY  
CHK 05JAN2006  
J. W. HALL  
APVD 05JAN2006  
J. W. HALL



NAME  
PLUG HOUSING,  
1 POSITION, FAKRA, SMB

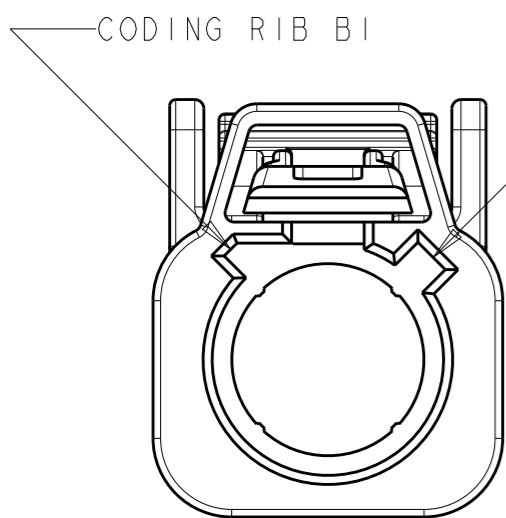
DIMENSIONS:	TOLERANCES UNLESS OTHERWISE SPECIFIED:
mm	
	0 PLC ±-
	1 PLC ±-
	2 PLC ±-
	3 PLC ±-
	4 PLC ±-
	ANGLES ±-
MATERIAL	FINISH
-	-
-	-

PRODUCT SPEC  
-  
APPLICATION SPEC  
114-13157  
WEIGHT  
-

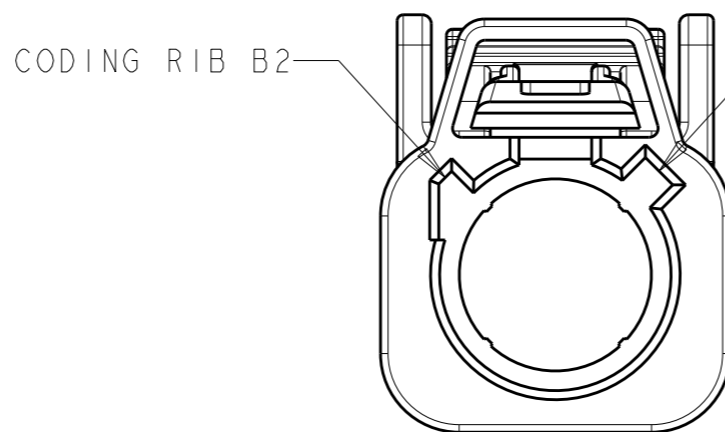
SIZE	CAGE CODE	DRAWING NO	RESTRICTED TO
A3	00779	1438893	-
SCALE 4:1		SHEET 1 OF 3	REV D3

REVISIONS

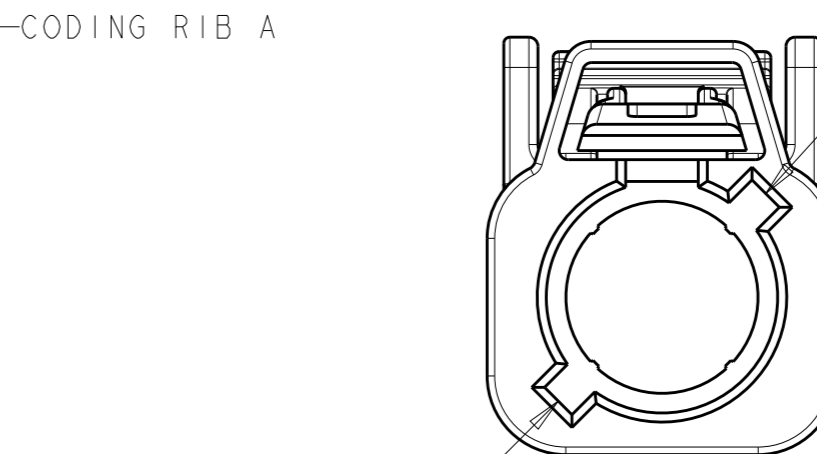
P	LTR	DESCRIPTION	DATE	DWN	APVD
	-	SEE SHEET 1	-	-	-



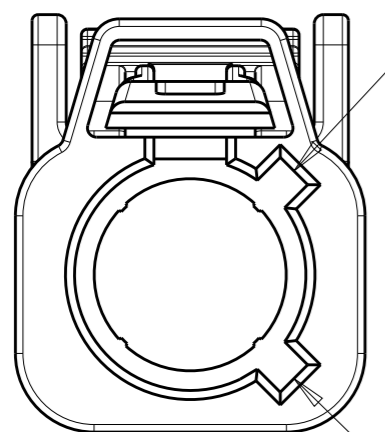
DETAIL A



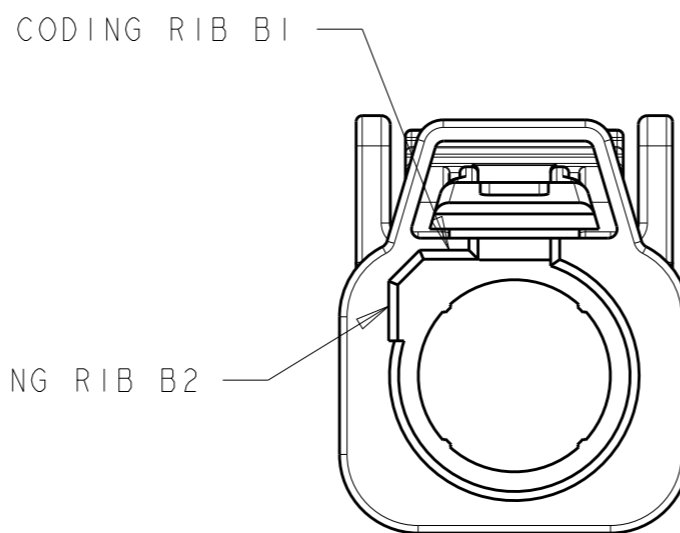
DETAIL B



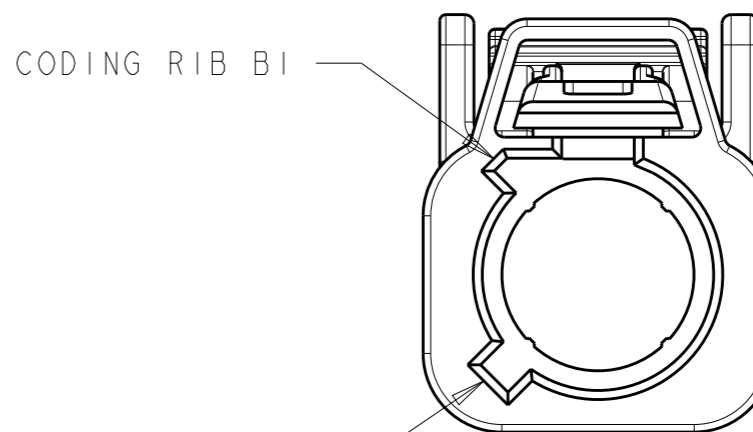
DETAIL C



DETAIL D



DETAIL E



DETAIL F

THIS DRAWING IS A CONTROLLED DOCUMENT.

DIMENSIONS: mm	
MATERIAL	-
	-

TOLERANCES UNLESS OTHERWISE SPECIFIED:	
0 PLC	±-
1 PLC	±-
2 PLC	±-
3 PLC	±-
4 PLC	±-
ANGLES	±-
FINISH	-
	-

DWN	D. J. HARDY	04JAN2006
CHK	J. W. HALL	05JAN2006
APVD	J. W. HALL	05JAN2006
PRODUCT SPEC	-	
APPLICATION SPEC	114-13157	
WEIGHT	-	
CUSTOMER DRAWING		

		TE Connectivity	
NAME PLUG HOUSING, 1 POSITION, FAKRA, SMB			
SIZE	CAGE CODE	DRAWING NO	RESTRICTED TO
A3	00779	C-1438893	-
SCALE		SHEET	REV
4:1		2 OF 3	D3

THIS DRAWING IS UNPUBLISHED.

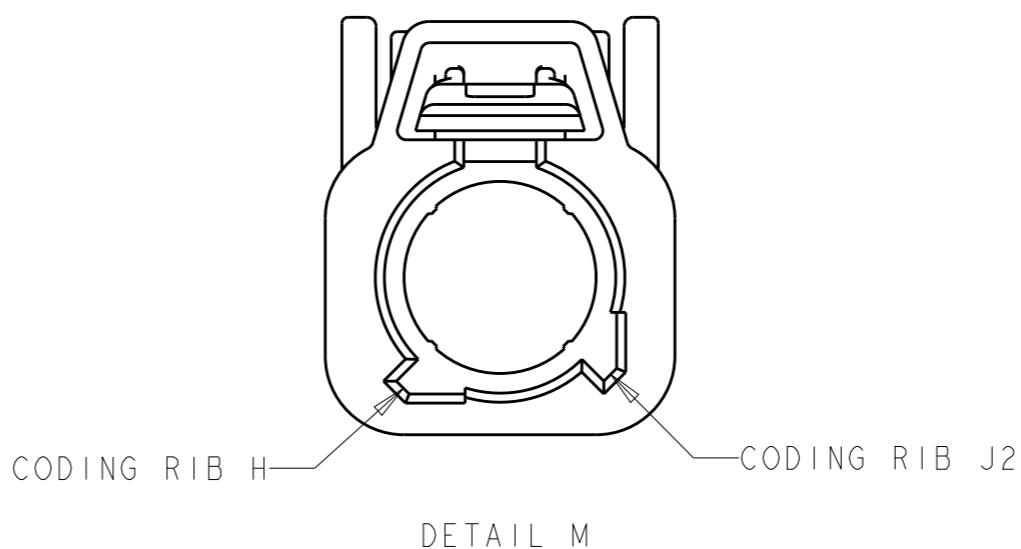
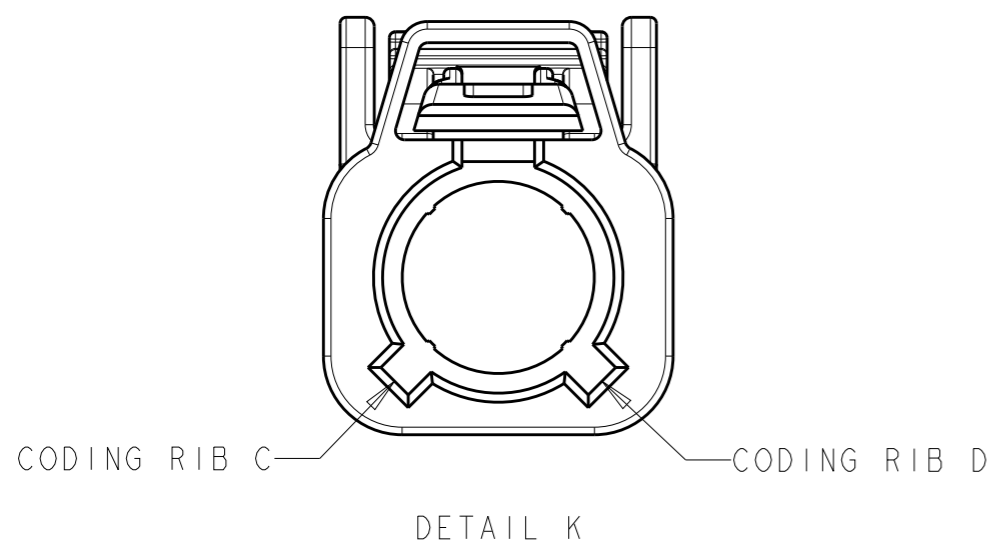
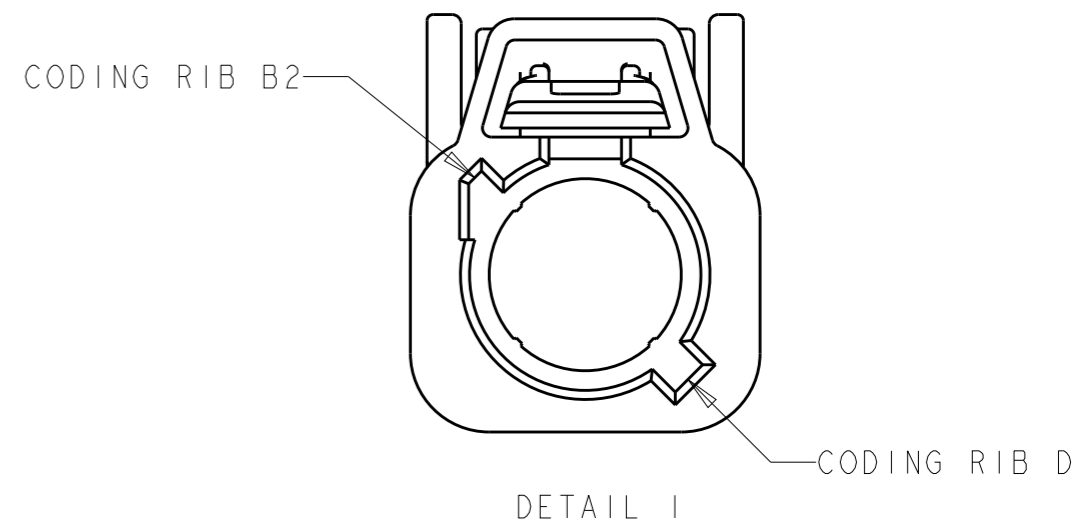
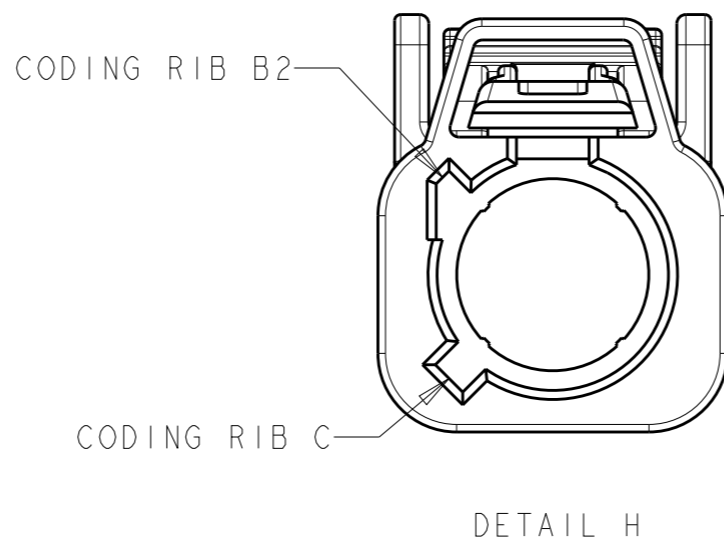
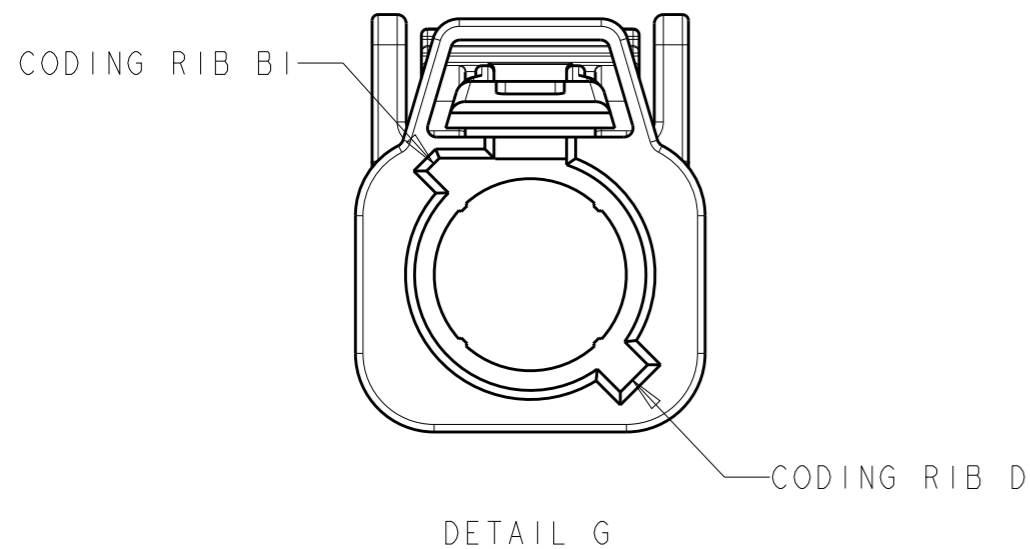
RELEASED FOR PUBLICATION

20

© COPYRIGHT 20 BY - ALL RIGHTS RESERVED.

REVISIONS

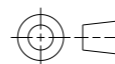
P	LTR	DESCRIPTION	DATE	DWN	APVD
	-	SEE SHEET 1	-	-	-



THIS DRAWING IS A CONTROLLED DOCUMENT.

DIMENSIONS:

mm



TOLERANCES UNLESS OTHERWISE SPECIFIED:

- 0 PLC ±-
- 1 PLC ±-
- 2 PLC ±-
- 3 PLC ±-
- 4 PLC ±-
- ANGLES ±-

MATERIAL

-

FINISH

-

DWN 04JAN2006

D. J. HARDY

CHK 05JAN2006

J. W. HALL

APVD 05JAN2006

J. W. HALL

PRODUCT SPEC

-

APPLICATION SPEC

114-13157

WEIGHT

-

CUSTOMER DRAWING



TE Connectivity

NAME

PLUG HOUSING,  
1 POSITION, FAKRA, SMB

SIZE CAGE CODE DRAWING NO RESTRICTED TO

A3 00779 C-1438893 -

SCALE SHEET 3 OF 3 REV D3