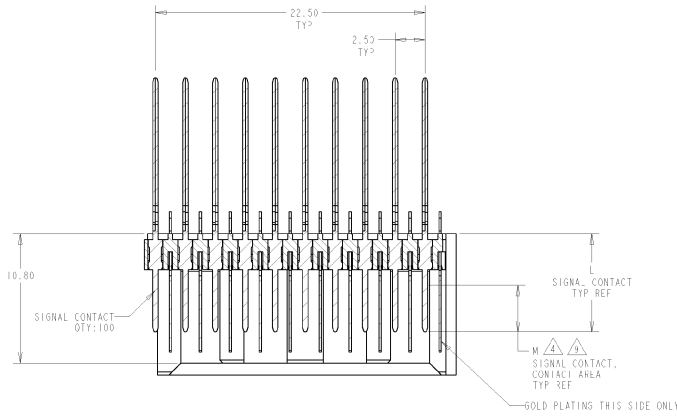
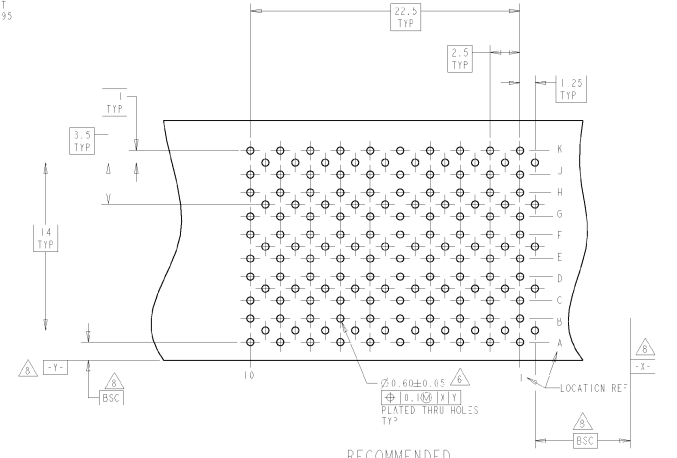
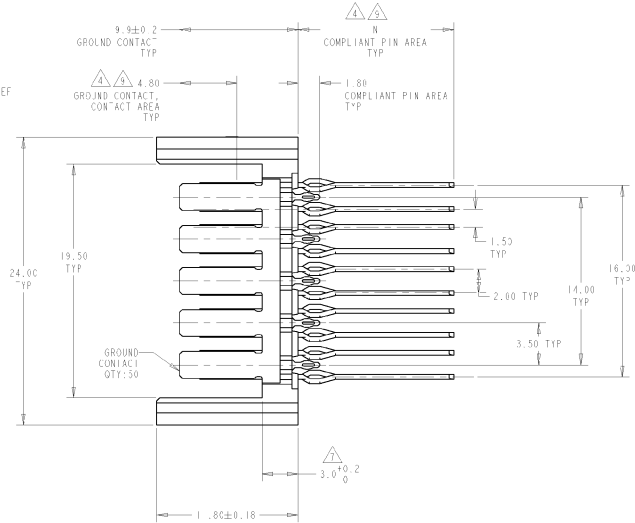
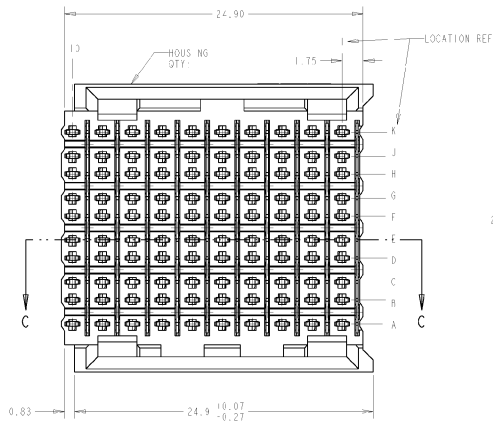


REV	DATE	DESCRIPTION	DATE	OWN	APPD
AD	4/7				
D		REVISED PER 0510-0370-01	12/04/01	DKS	BAP
E		REVISED PER 0512-0194-02	07/02/03	DKS	BAP
F		ADDED STAND-OFFS PER 0512-0157-03	13/02/03	SJM	BAP
G		ADDED GOLD PLATE NO 1 PER 0512-0411-03	07/07/04	SJM	BAP

- △ PHOSPHOR BRONZE
- △ GLASS FILLED POLYESTER
- △ 0.76µm MIN GOLD OVER 1.27µm MIN NICKEL ON CONTACT AREA
0.76µm MIN TIN LEAD OVER 1.27µm MIN NICKEL ON COMPLIANT P N AREA
- △ CONNECTOR MARKED WITH PART NUMBER AND DATE CODE
- △ DRILLED HOLE DIAMETER 0.7±0.025
FINISHED HOLE DIA 0.60±0.05 REF
COPPER THICKNESS 0.025-0.050
TIN LEAD THICKNESS 0.004-0.010
- △ APPLICATION SEATING HEIGHT TO PRINTED CIRCUIT BOARD
- △ DATUMS AND BASIC DIMENSIONS ESTABLISHED BY CUSTOMER
- △ CONTACT AREA LUBRICATED WITH BELLCORE APPROVED LUBRICANT
TECHNICAL REFERENCE: GR-1217-CORE, ISSUE 1, NOVEMBER 1995



SECTION C-C



RECOMMENDED
 PRINTED CIRCUIT BOARD
 LAYOUT
 COMPONENT SIZE OF PRINTED CIRCUIT BOARD

14.50	5.30	9.7	120664-2
13.00	3.90	8.2	120664-1
N	M	L	PART NUMBER

SYMBOLS:		QTY	234PFR01	TYPE	234PFR01	DATE	
DIMENSIONS:		QTY	234PFR01	TYPE	234PFR01	DATE	
MATERIAL:		QTY	234PFR01	TYPE	234PFR01	DATE	
FINISH:		QTY	234PFR01	TYPE	234PFR01	DATE	
CONTACTS:		QTY	234PFR01	TYPE	234PFR01	DATE	
CUSTOMER DRAWING		QTY	234PFR01	TYPE	234PFR01	DATE	
SIZE		QTY	234PFR01	TYPE	234PFR01	DATE	
SCALE		QTY	234PFR01	TYPE	234PFR01	DATE	
SHEET		QTY	234PFR01	TYPE	234PFR01	DATE	
OF		QTY	234PFR01	TYPE	234PFR01	DATE	
REF		QTY	234PFR01	TYPE	234PFR01	DATE	
G		QTY	234PFR01	TYPE	234PFR01	DATE	