

TABLE 1: PART LIST

ITEM	QTY	DESCRIPTION	MATERIAL	FINISH
1	1	CABLE 2x0.75 +6x0.34 TPU BK D8.0 TPE UNS	TPU	BLACK
2	1	OVERMOLD	PUR	BLACK
3	1	INSERT	PBT	BLACK
4	14	SOCKET CONTACT	COPPER ALLOY	GOLD
5	1	COUPLER	BRASS	PLATING WHITE BRONZE

TABLE 2: FINISHED PRODUCTS

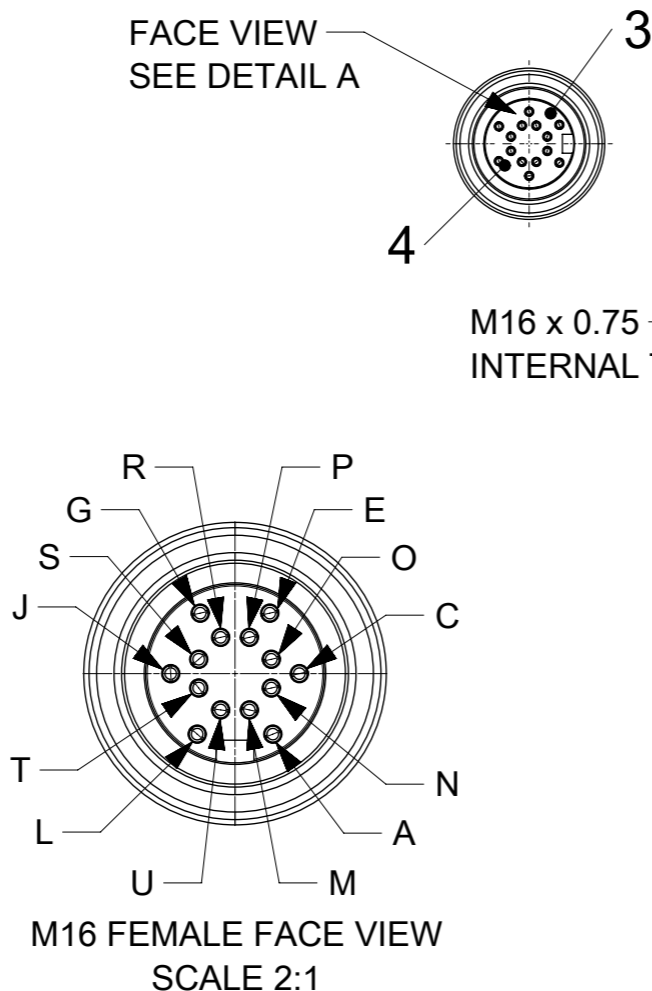
OLD MAT-NO.	MATERIAL	DESCRIPTION	LENGTH CABLE [L] (WITH TOLERANCES)	GEOMETRY
L04200B78M050	1300238013	M16 ST CON FOR M8 NANO BOX 5M - 6port	5m +60 mm	STR
L04200B78M100	1300238014	M16 ST CON FOR M8 NANO BOX 10M - 6port	10m +80 mm	STR
L04200B78M150	1300238015	M16 ST CON FOR M8 NANO BOX 15M - 6port	15m +140 mm	STR
L04201B78M050	1300238016	M16 90° CON FOR M8 NANO BOX 5M - 6port	5m +60 mm	RA
L04201B78M100	1300238017	M16 90° CON FOR M8 NANO BOX 10M - 6port	10m +80 mm	RA
L04201B78M150	1300238018	M16 90° CON FOR M8 NANO BOX 15M - 6port	15m +140 mm	RA

TABLE 3: CABLE SPEC

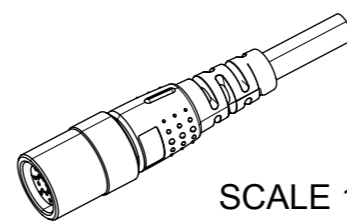
CABLE TYPE	CABLE JACKET	UL	CSA	Temperature range (static) (Bending radius up to 7.5xD)	Temperature range (flexing) (Bending radius up to 12.5xD)	drag chain tested	other
B78-8	TPU black	STYLE 21215	yes	-40°C to +90°C	-25°C to +80°C	5 Mio cycles	WELD SLAG RESISTANCE

WIRING SCHEMATIC:

P	white
J	green
T	yellow
S	grey
G	pink
R	red
E	not used
O	not used
C	not used
A	brown 0.75 mm ²
M	
L	blue 0.75 mm ²
U	
N	not used

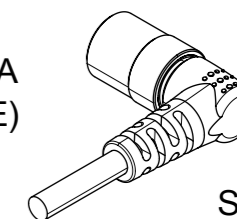


GEOMETRY STR (STRAIGHT)

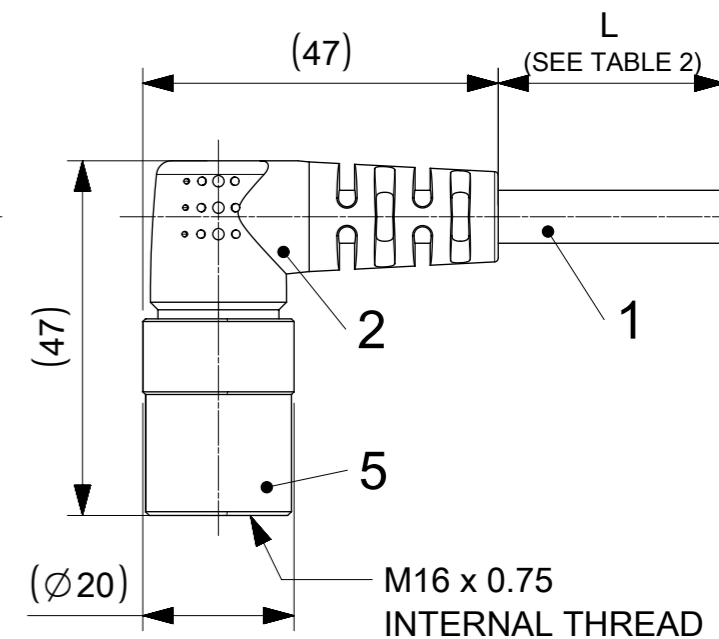
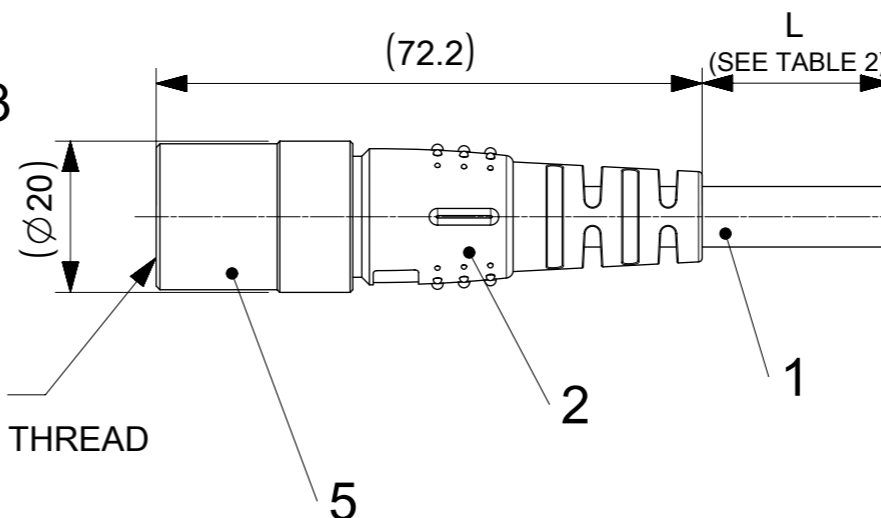


SCALE 1:2

GEOMETRY RA (RIGHT ANGLE)



SCALE 1:2



1. MATERIALS : SEE TABLE 1
2. FINISHES: SEE TABLE 1
3. ELECTRICAL DATA:
MAX. VOLTAGE RATING 60 VAC
MAX. CURRENT 3 AMPS
4. ENVIRONMENTAL: PROTECTION IP67
TEMPERATURE RANGE -30°C TO +80°C
5. ASSEMBLY IS RoHS COMPLIANT

SYMBOLS	THIS DRAWING CONTAINS INFORMATION THAT IS PROPRIETARY TO MOLEX ELECTRONIC TECHNOLOGIES, LLC AND SHOULD NOT BE USED WITHOUT WRITTEN PERMISSION	
DIMENSION UNITS	SCALE	CURRENT REV DESC: KNURLED PART ON SLEEVE POS. CHANGED FOR BETTER HANDLING
▽ = 0	mm	1:1
▽ = 0	GENERAL TOLERANCES (UNLESS SPECIFIED)	
▽ = 0	ANGULAR TOL ± 1.0°	
▽ = 0	4 PLACES ±	EC NO: 623693
▽ = 0	3 PLACES ±	DRWN: SSM 2019/08/27
▽ = 0	2 PLACES ± 0.05	CHK'D: RSILLER 2019/09/26
▽ = 0	1 PLACE ± 0.3	APPR: RSILLER 2019/09/26
▽ = 0	0 PLACES ± 0.5	INITIAL REVISION:
□ = 0	DRWN: MSCHAUER 2015/01/27	
■ = 0	APPR: CBURGER 2015/02/06	
▽ = 0	DRAFT WHERE APPLICABLE MUST REMAIN WITHIN DIMENSIONS	
THIRD ANGLE PROJECTION		DRAWING
SERIES		MATERIAL NUMBER
CUSTOMER		SHEET NUMBER
A3-SIZE		130023
SEE TABLE 2		GENERAL MARKET
DOCUMENT NUMBER		DOC TYPE
1300238013		000
CSE M16 14P 6PT AC FE RA+STR TPU SE XM UNSH BK		B
PRODUCT CUSTOMER DRAWING		1 OF 1