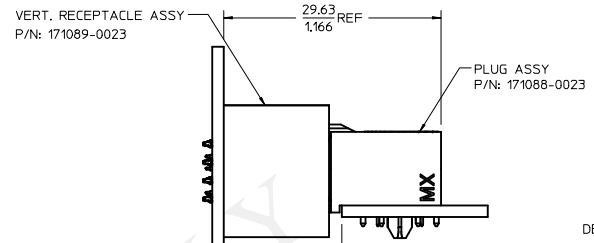
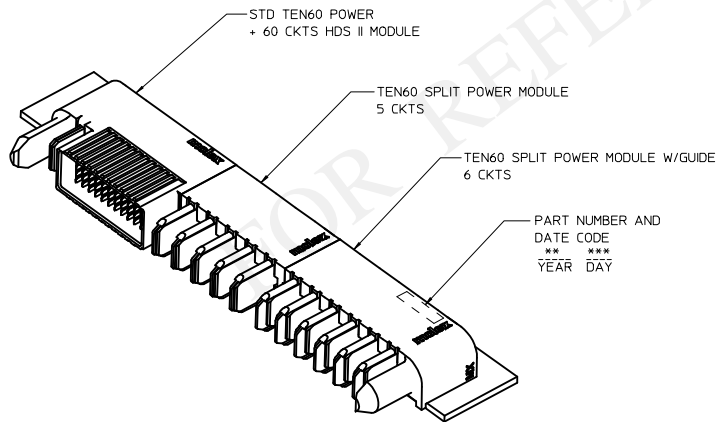
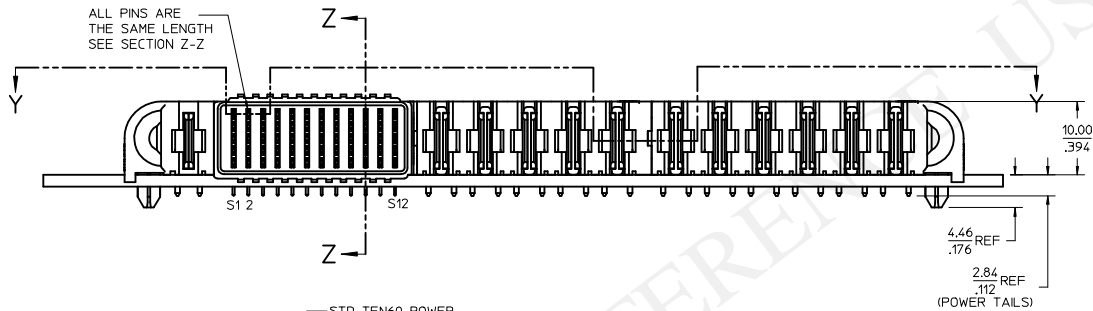
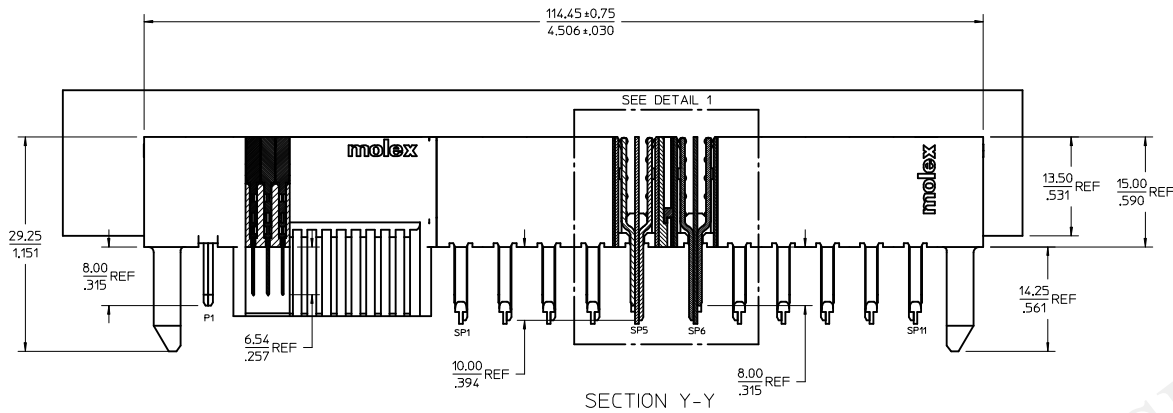
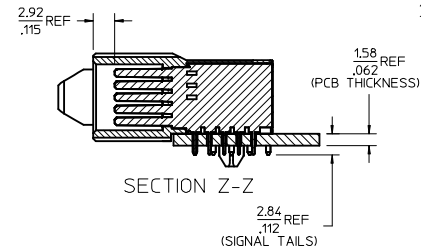
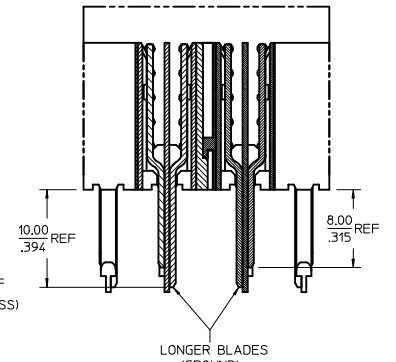


3D MODEL NO.: TM-171088-0023

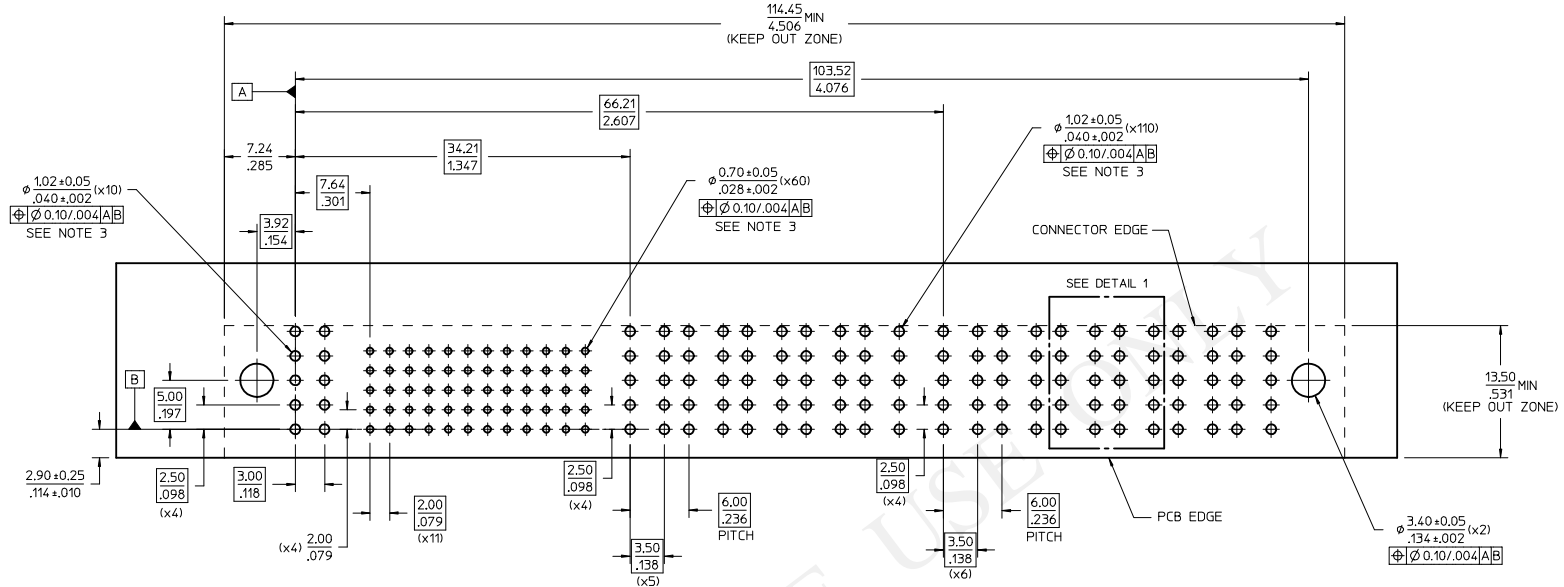


DETAIL 1  
SCALE 4:1

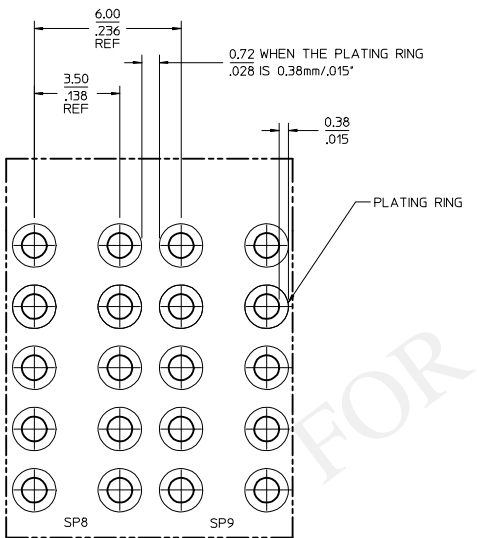


- NOTES:
- MATERIAL:
    - HOUSINGS: LCP UL94, V-0, COLOR : BLACK
    - TERMINALS: HIGH CONDUCTIVITY COPPER ALLOY
    - PLATING: 127 MICROMETER ( 50 MICRINCH) NICKEL OVERALL WITH 2.54 MICROMETER (100 MICRINCH) SELECTIVE TIN ON TAILS AND 0.762 MICROMETER ( 30 MICRINCH) SELECTIVE GOLD ON CONTACT AREA
  - PACKAGING: ASSEMBLIES TO BE TRAY PACKED PER PACKAGING SPEC: TBD
  - PLATED THRU HOLE SIZE REFERS TO PS-171088-0000 FOR DETAILS
  - PRODUCT SPEC: PS-171088-0000
  - APPLICATION SPEC: AS-46436-100
  - PRODUCT TO MEET ROHS REQUIREMENTS
  - ASSEMBLY MATES TO MOLEX RECEPTACLE ASSEMBLY P/N 171089-0023
  - TAIL DESIGN: SOLDER TAIL
  - SIGNAL CONTACTS ARE LUBRICATED.

ENTER DESCRIPTION EC NO: UCP2013-1517 DRAWN/LIN 2012/10/10 CHKD: APPRVLIN 2012/10/17 DESCRIPTION	QUALITY SYMBOLS	GENERAL TOLERANCES (UNLESS SPECIFIED)	DIMENSION STYLE	SCALE	DESIGN UNITS	THIRD ANGLE PROJECTION
	▽=0	mm INCH	MM/IN	3:1	METRIC	☉
	▽=0	4 PLACES +--- +---	DRAWN BY DATE	TITLE <b>TEN60 SPLIT POWER PLUG ASSY</b> <b>G-1P-60S-5SP-6SP-G</b> <b>molex</b>		
	▽=0	3 PLACES +--- +---	VLIN 2012/09/12			
▽=0	2 PLACES ±0.13 +---	CHECKED BY DATE	MATERIAL NO. DOCUMENT NO. <b>171088-0023 SD-171088-0023</b>			
▽=0	1 PLACE ±0.25 +---	APPROVED BY DATE				
	0 PLACE ±--- +---	VLIN 2012/10/10	SHEET NO. 1 OF 3			
DRAFT WHERE APPLICABLE MUST REMAIN WITHIN DIMENSIONS		SIZE				THIS DRAWING CONTAINS INFORMATION THAT IS PROPRIETARY TO MOLEX INCORPORATED AND SHOULD NOT BE USED WITHOUT WRITTEN PERMISSION



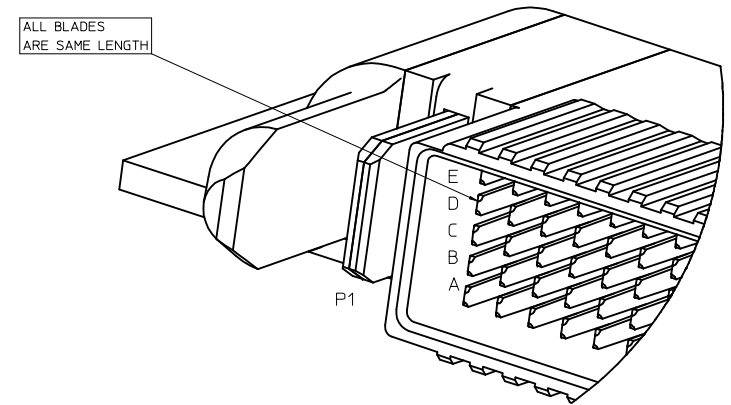
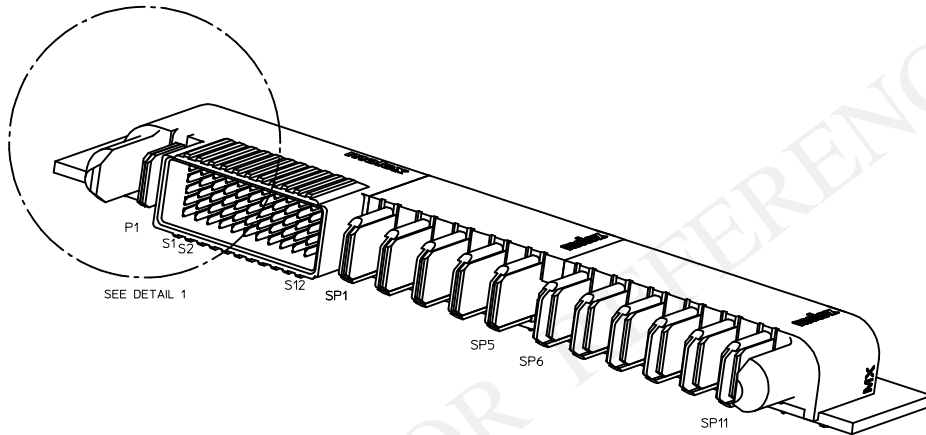
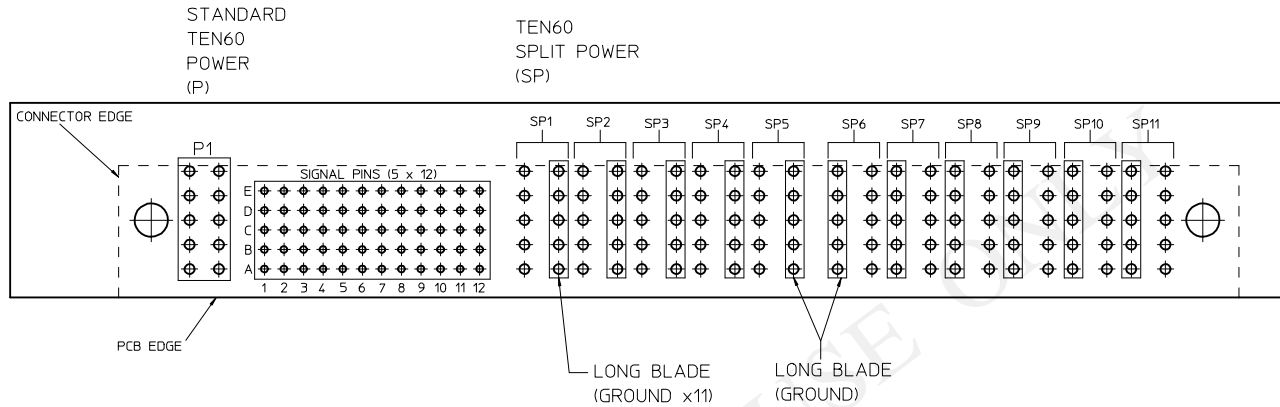
RECOMMENDED PCB LAYOUT AND KEEP OUT ZONE  
(SEE SHEET 3 FOR PIN ASSIGNMENT)



DETAIL 1  
SCALE 10:1

<b>ENTER DESCRIPTION</b> IEC NO. UCP2013-1517 DRAWN BY CHKD: APPR:VLIN 2012/10/10 2012/10/17	QUALITY SYMBOLS	GENERAL TOLERANCES (UNLESS SPECIFIED)	DIMENSION STYLE	SCALE	DESIGN UNITS	THIRD ANGLE PROJECTION
	▽=0	mm INCH	MM/IN	4:1	METRIC	☉
	▽=0	4 PLACES ± --- ± ---	DRAWN BY DATE	VLIN 2012/09/12	TITLE	TEN60 SPLIT POWER PLUG ASSY
	▽=0	3 PLACES ± 0.13 ± ---	CHECKED BY DATE		G-1P-60S-5SP-6SP-G	<b>molex</b>
	ANGULAR ±1/2°	DRAFT WHERE APPLICABLE MUST REMAIN WITHIN DIMENSIONS	MATERIAL NO.	171088-0023	DOCUMENT NO.	SD-171088-0023
			SIZE	D	THIS DRAWING CONTAINS INFORMATION THAT IS PROPRIETARY TO MOLEX INCORPORATED AND SHOULD NOT BE USED WITHOUT WRITTEN PERMISSION	
					SHEET NO.	2 OF 3

# PCB PIN ASSIGNMENT



DETAIL 1  
SCALE 8:1

<b>ENTER DESCRIPTION</b> IEC NO. UCP2013-1517 DRAWN/LIN CHKD: APPR:VLIN REV:	QUALITY SYMBOLS ▽=0 ▽=0 ▽=0	GENERAL TOLERANCES (UNLESS SPECIFIED) mm      INCH 4 PLACES ± --- ± --- 3 PLACES ± --- ± --- 2 PLACES ± 0.13 ± --- 1 PLACE ± 0.25 ± --- 0 PLACE ± --- ± --- ANGULAR ±1/2° DRAFT WHERE APPLICABLE MUST REMAIN WITHIN DIMENSIONS	DIMENSION STYLE MM/IN SCALE 4:1 DESIGN UNITS METRIC THIRD ANGLE PROJECTION	DRAWN BY VLIN DATE 2012/09/12 CHECKED BY DATE APPROVED BY VLIN DATE 2012/10/10	TITLE TEN60 SPLIT POWER PLUG ASSY G-1P-60S-5SP-6SP-G <b>molex</b>	MATERIAL NO. 171088-0023	DOCUMENT NO. SD-171088-0023	SHEET NO. 3 OF 3
	THIS DRAWING CONTAINS INFORMATION THAT IS PROPRIETARY TO MOLEX INCORPORATED AND SHOULD NOT BE USED WITHOUT WRITTEN PERMISSION							
	SIZE D							
	IEC NO. UCP2013-1517 DRAWN/LIN CHKD: APPR:VLIN REV:							