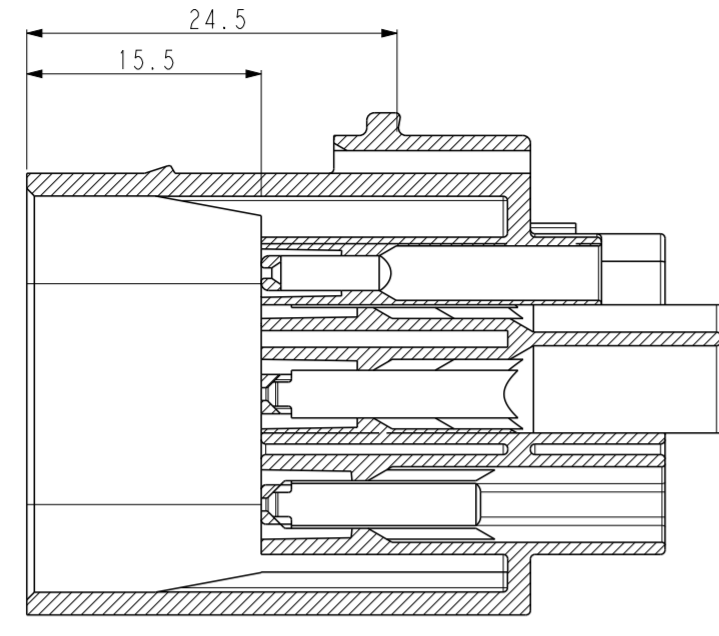
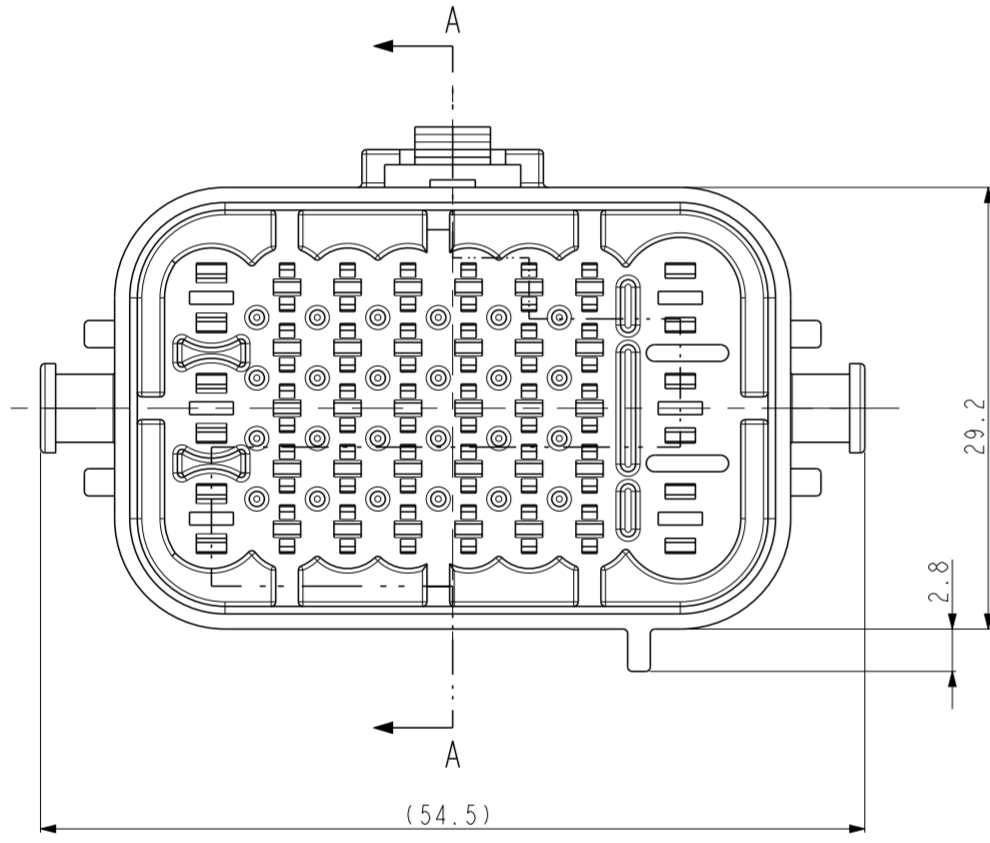
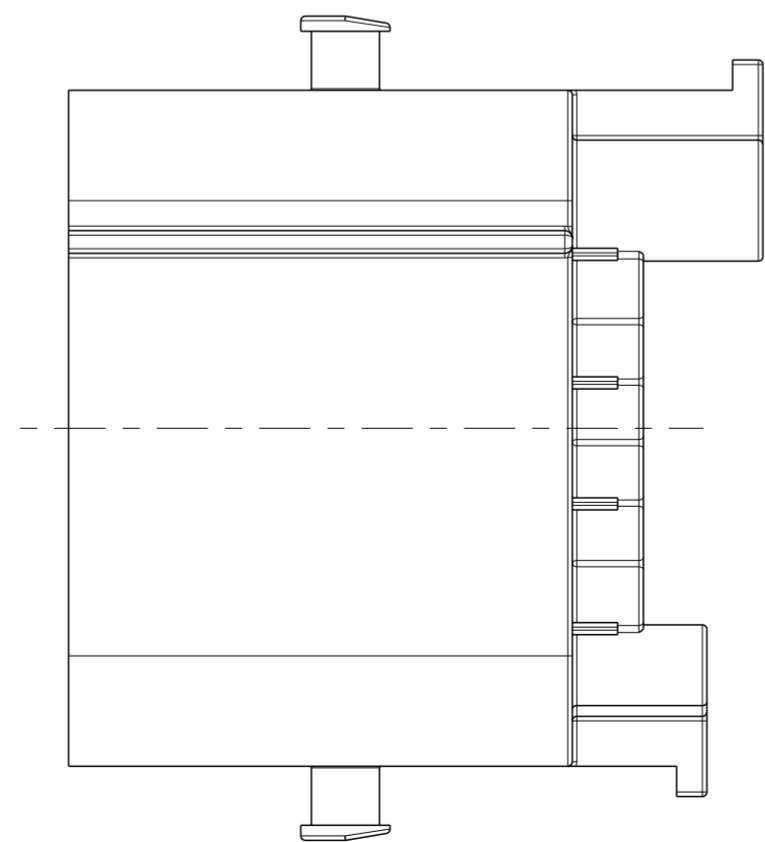
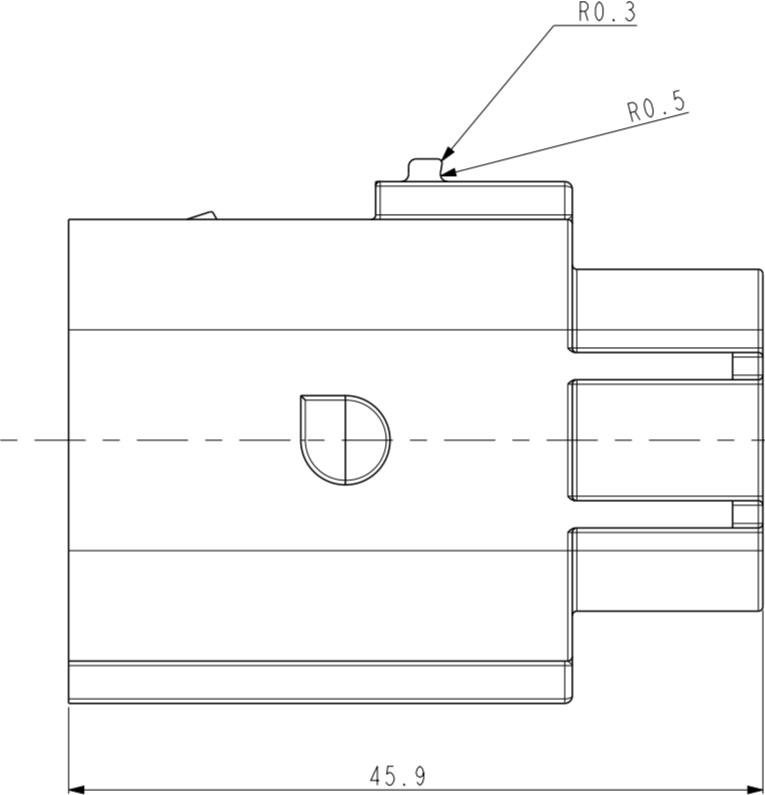
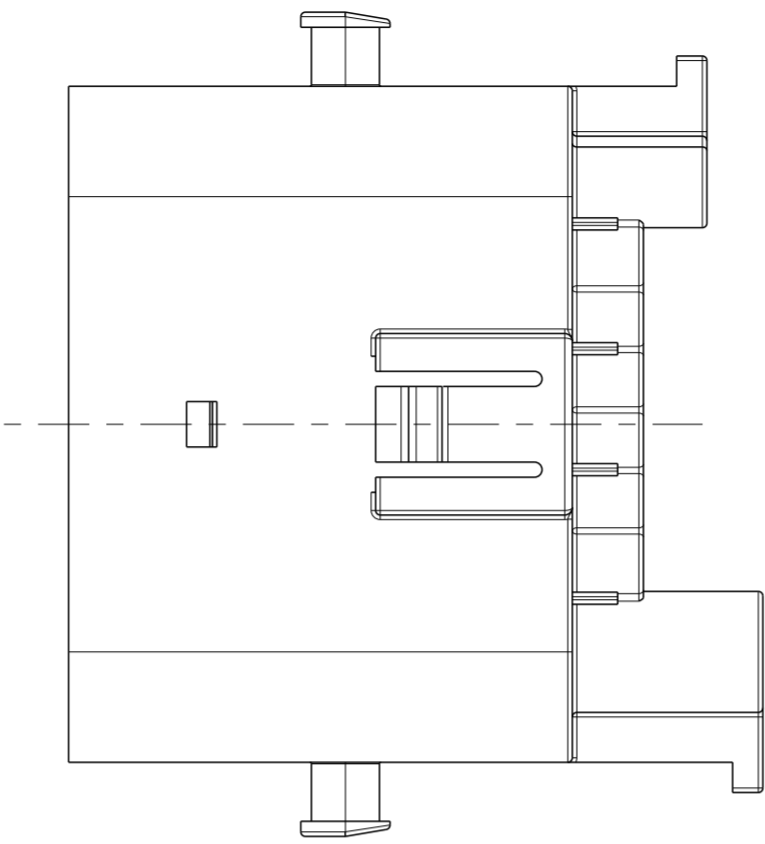


THIS DRAWING IS UNPUBLISHED. RELEASED FOR PUBLICATION 20  
 © COPYRIGHT 20 BY - TE Connectivity ALL RIGHTS RESERVED.

| REVISIONS |     |                         |           |     |      |
|-----------|-----|-------------------------|-----------|-----|------|
| P         | LTR | DESCRIPTION             | DATE      | DWN | APVD |
| B         |     | REVISED (ECR-06-011820) | 09JUN2006 | CH  | JK   |
| C         |     | REVISED (ECR-10-024983) | 07DEC2010 | SJ  | HG   |
| CI        |     | REVISED (ECR-23-172702) | 19APR2023 | DG  | KT   |

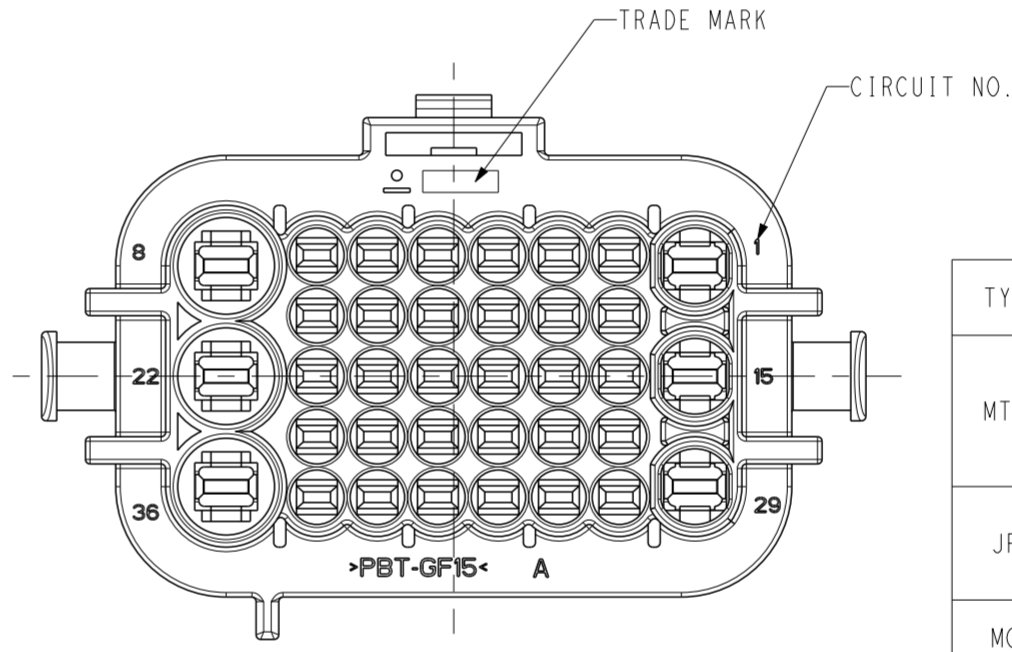
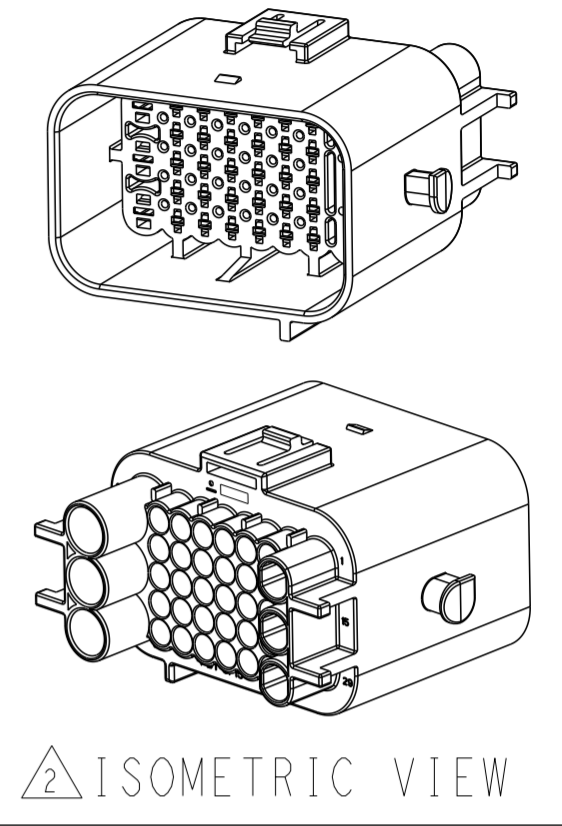


SECTION A-A



<TABLE 1>

| TYPE       | PART NO.    | WIRE SIZE(mm <sup>2</sup> ) | Insulation DIA(mm) | Applicable WIRE             | FINISH      |
|------------|-------------|-----------------------------|--------------------|-----------------------------|-------------|
| MTII       | 0-963902-1  | 0.2~0.5                     | 1.15~1.6           | AVSSXF 0.5 Max              | CuSn4       |
|            | 0-963902-3  |                             |                    |                             | CuSn4(GOLD) |
|            | 0-963904-1  | 0.5~1.0                     | 1.4~2.1            | AVSSXF 0.85 Max             | CuSn4       |
|            | 0-963904-3  |                             |                    |                             | CuSn4(GOLD) |
| JPT        | 1-962915-1  | 0.5~1.0                     | 2.1 Max            | AVSSXF 0.85 Max             | CuSn4       |
|            | 1-962915-3  |                             |                    |                             | CuSn4(GOLD) |
|            | 1-962916-1  | 1.5~2.5                     | 3.0 Max            | AVSS 2.0 Max or FLR 2.5 Max | CuSn4       |
| 1-962916-3 | CuSn4(GOLD) |                             |                    |                             |             |
| MCP        | 1-968947-1  | 2.5~4.0                     | 3.7 Max            | AEXF 3.0 Max or FLR 4.0 Max | CuSn4       |



<TABLE 2>

| TYPE | WIRE SIZE(mm <sup>2</sup> ) | PART NO. | WIRE INSULATION DIAMETER(mm) | COLOR   |
|------|-----------------------------|----------|------------------------------|---------|
| MTII | 0.35~0.5                    | 964971-1 | 1.2~1.6                      | RED     |
|      | 0.5~0.75                    | 963530-1 | 1.4~1.9                      | GRAY    |
|      | 1.0                         | 964972-1 | 1.9~2.1                      | YELLOW  |
|      |                             | 963531-1 | CAVITY PLUG                  | WHITE   |
| JPT  | 0.35~1.0                    | 828904-2 | 1.2~2.1                      | BLUE    |
|      | 1.5~2.5                     | 828905-1 | 2.2~3.0                      | WHITE   |
| MCP  | 2.5~4.0                     | 828922-1 | CAVITY PLUG                  | NATURAL |
|      |                             | 828985-1 | 3.0~3.7                      | GREEN   |
|      |                             | 828986-1 | CAVITY PLUG                  | BROWN   |

- NOTE
- GENERAL TOLERANCE: ±0.3, ±3°
  - DELIVERY CONDITION
  - APPLIED PLUG P/N: X-1743632-X
  - APPLIED WIRE COVER P/N: X-1743638-X
  - APPLICABLE TAB CONTACT P/N: TABLE 1
  - APPLICABLE WIRE SEAL P/N: TABLE 2

THIS DRAWING IS A CONTROLLED DOCUMENT.

DIMENSIONS: mm

TOLERANCES UNLESS OTHERWISE SPECIFIED:

|       |   |
|-------|---|
| 0 PLC | ± |
| 1 PLC | ± |
| 2 PLC | ± |
| 3 PLC | ± |
| 4 PLC | ± |

3rd ANGLE PROJECTION

MATERIAL: SEE TABLE

APVD: SJ CHOI

CHK: JW JUNG

APVD: HG CHO

PRODUCT SPEC: 108-61618

APPLICATION SPEC

WEIGHT

CUSTOMER DRAWING

| CAP HSG  | 1743636-2        | PBT-GF15              | BLACK            |
|--|------------------|-----------------------|------------------|
| DESCRIPTION                                      | P/N              | MATERIAL              | COLOR            |
| <b>STE</b> TE Connectivity                       |                  |                       |                  |
| NAME: CAP HSG FOR MTII JPT MCP SEALED 36P CONN'R |                  |                       |                  |
| SIZE: A2   | CAGE CODE: 00779 | DRAWING NO: C-1743636 | RESTRICTED TO: - |
| SCALE: 2:1                                       |                  |                       | SHEET: 1 OF 1    |
| REV: CI  |                  |                       |                  |