

Potential distributors - VIP-2/PT/PDM-2/16/FU 6.3A - 2903603

Please be informed that the data shown in this PDF Document is generated from our Online Catalog. Please find the complete data in the user's documentation. Our General Terms of Use for Downloads are valid (<http://phoenixcontact.com/download>)

VARIOFACE module, with two equipotential busbars (P1, P2) for potential distribution, for mounting on NS 35 rails. Module width: 97.7 mm




Your advantages

- Consecutive numbering
- Two potential levels
- Separate supply



Key Commercial Data

Packing unit	1 pc
GTIN	 4 046356 948166
GTIN	4046356948166

Technical data

Note

Type of note	Type of insulation housing
Note	Polyamide PA non-reinforced

Dimensions

Width	97.7 mm
Height	109.8 mm
Depth	51 mm

Ambient conditions

Ambient temperature (operation)	-20 °C ... 60 °C
Ambient temperature (storage/transport)	-20 °C ... 70 °C

General

Nominal voltage U_N	250 V AC/DC
Max. current carrying capacity per branch	6.3 A (fuse limited)

Potential distributors - VIP-2/PT/PDM-2/16/FU 6.3A - 2903603

Technical data

General

Total current	30 A (per potential)
Potential connections	Per potential (P1, P2) 2 power/8 distributor terminal blocks
Mounting position	any

Connection data

Connection name	Service Entrance
Connection method	Push-in-/Spring-cage connection
Stripping length	15 mm
Number of connections	2
Conductor cross section solid	0.2 mm ² ... 10 mm ²
Conductor cross section flexible	0.2 mm ² ... 6 mm ²
Conductor cross section AWG	24 ... 8

Connection data 2

Connection name	Distribution
Connection method	Push-in connection
Stripping length	8 mm
Number of connections	16
Conductor cross section solid	0.14 mm ² ... 2.5 mm ²
Conductor cross section flexible	0.14 mm ² ... 2.5 mm ²
Conductor cross section AWG	26 ... 14

Standards and Regulations

Connection in acc. with standard	CSA
Standards/regulations	IEC 60664
	DIN EN 50178
Pollution degree	2
Overvoltage category	III

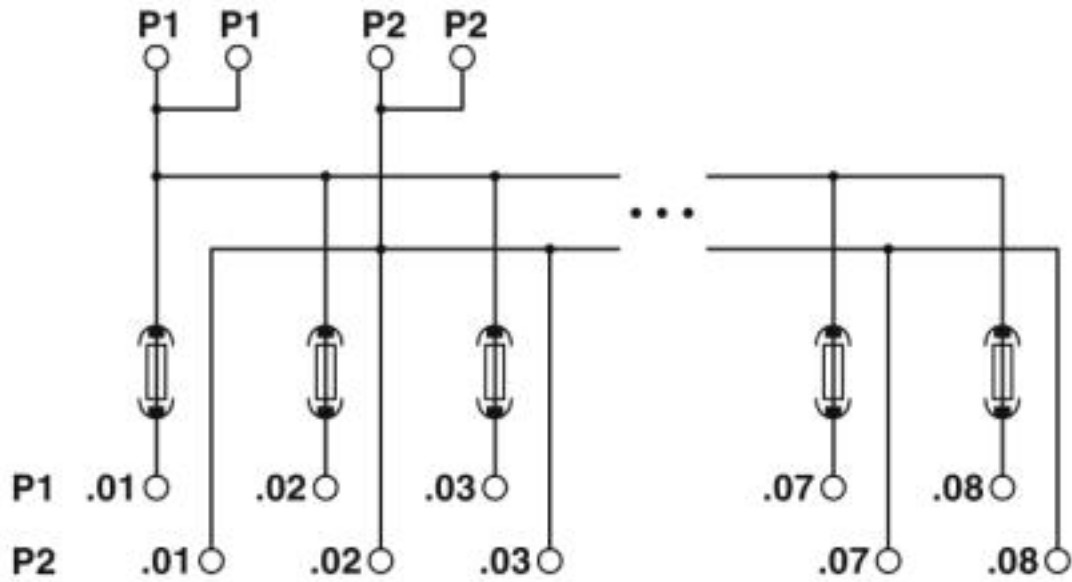
Environmental Product Compliance

China RoHS	Environmentally Friendly Use Period = 50
	For details about hazardous substances go to tab "Downloads", Category "Manufacturer's declaration"

Drawings

Potential distributors - VIP-2/PT/PDM-2/16/FU 6.3A - 2903603

Circuit diagram



P1 circuits fused...P2 circuits unfused

Approvals

Approvals

Approvals

CSA / UL Recognized / cUL Recognized / EAC / cULus Recognized


Ex Approvals


Approval details


CSA		http://www.csagroup.org/services-industries/product-listing/	2122203
Nominal voltage UN	250 V		
Nominal current IN	30 A		
mm ² /AWG/kcmil	24-8		


Potential distributors - VIP-2/PT/PDM-2/16/FU 6.3A - 2903603

Approvals

UL Recognized		http://database.ul.com/cgi-bin/XYV/template/LISEXT/1FRAME/index.htm	FILE E 238705
Nominal voltage UN		250 V	
Nominal current IN		30 A	
mm ² /AWG/kcmil		24-8	

cUL Recognized		http://database.ul.com/cgi-bin/XYV/template/LISEXT/1FRAME/index.htm	FILE E 238705
Nominal voltage UN		250 V	
Nominal current IN		30 A	
mm ² /AWG/kcmil		24-8	

EAC		RU C- DE.A*30.B.01742
-----	---	--------------------------

cULus Recognized	
------------------	---

Phoenix Contact 2019 © - all rights reserved
<http://www.phoenixcontact.com>

PHOENIX CONTACT GmbH & Co. KG
Flachsmarktstr. 8
32825 Blomberg
Germany
Tel. +49 5235 300
Fax +49 5235 3 41200
<http://www.phoenixcontact.com>