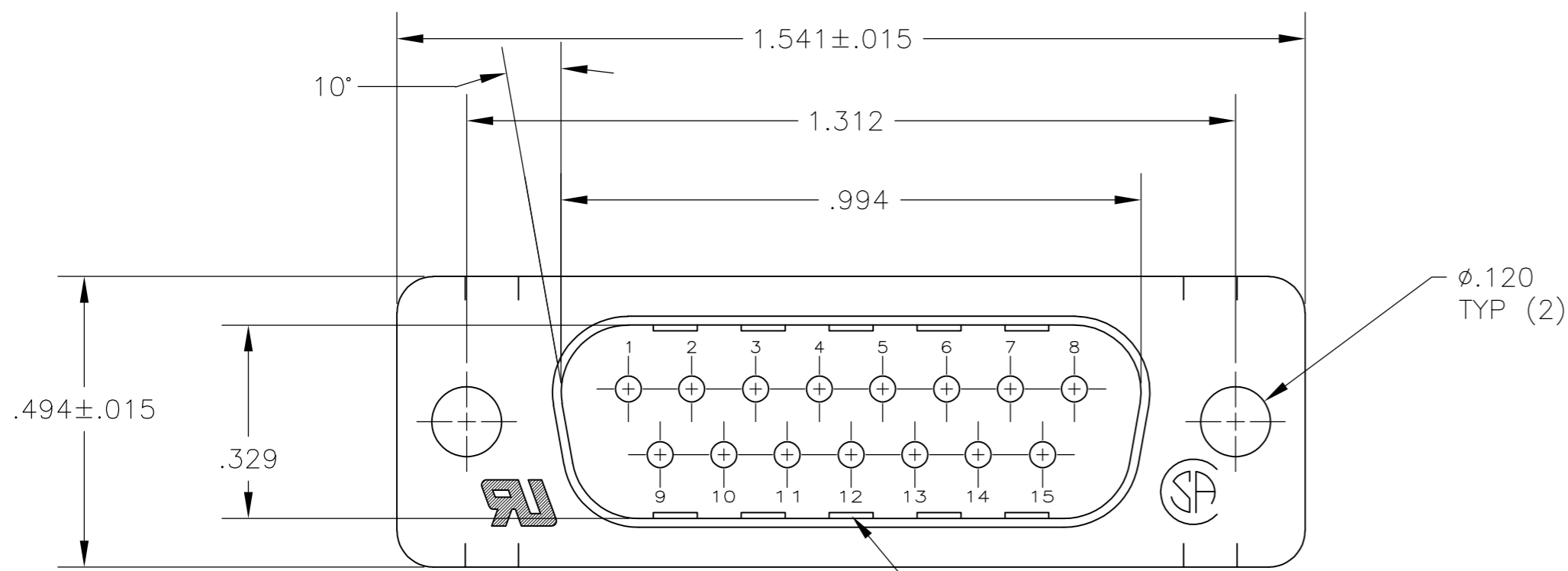
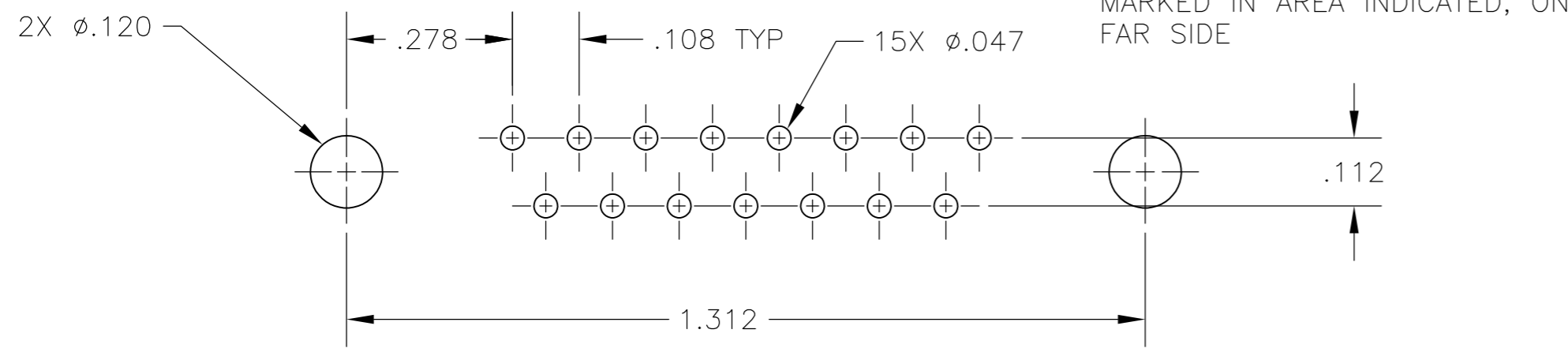
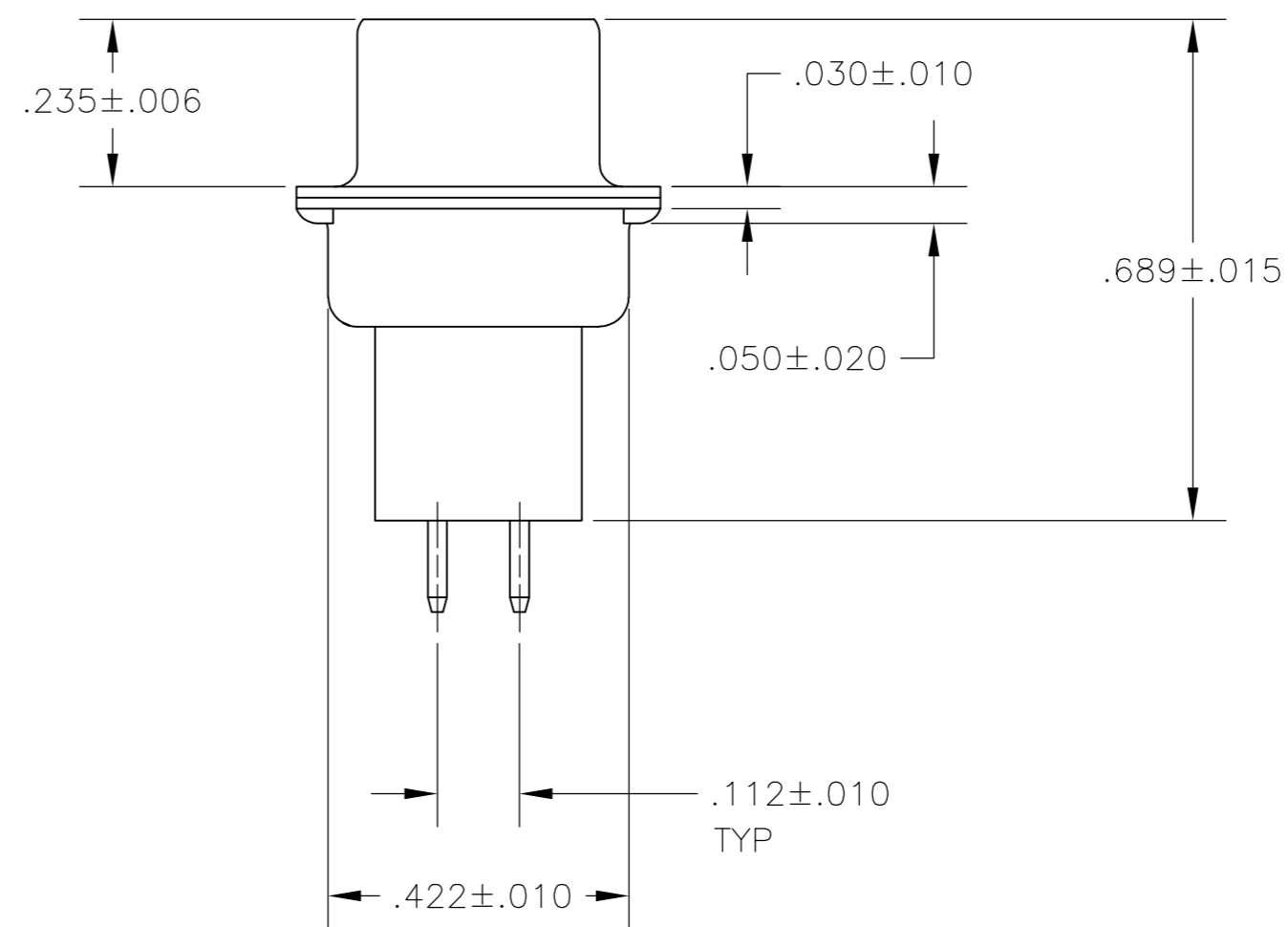
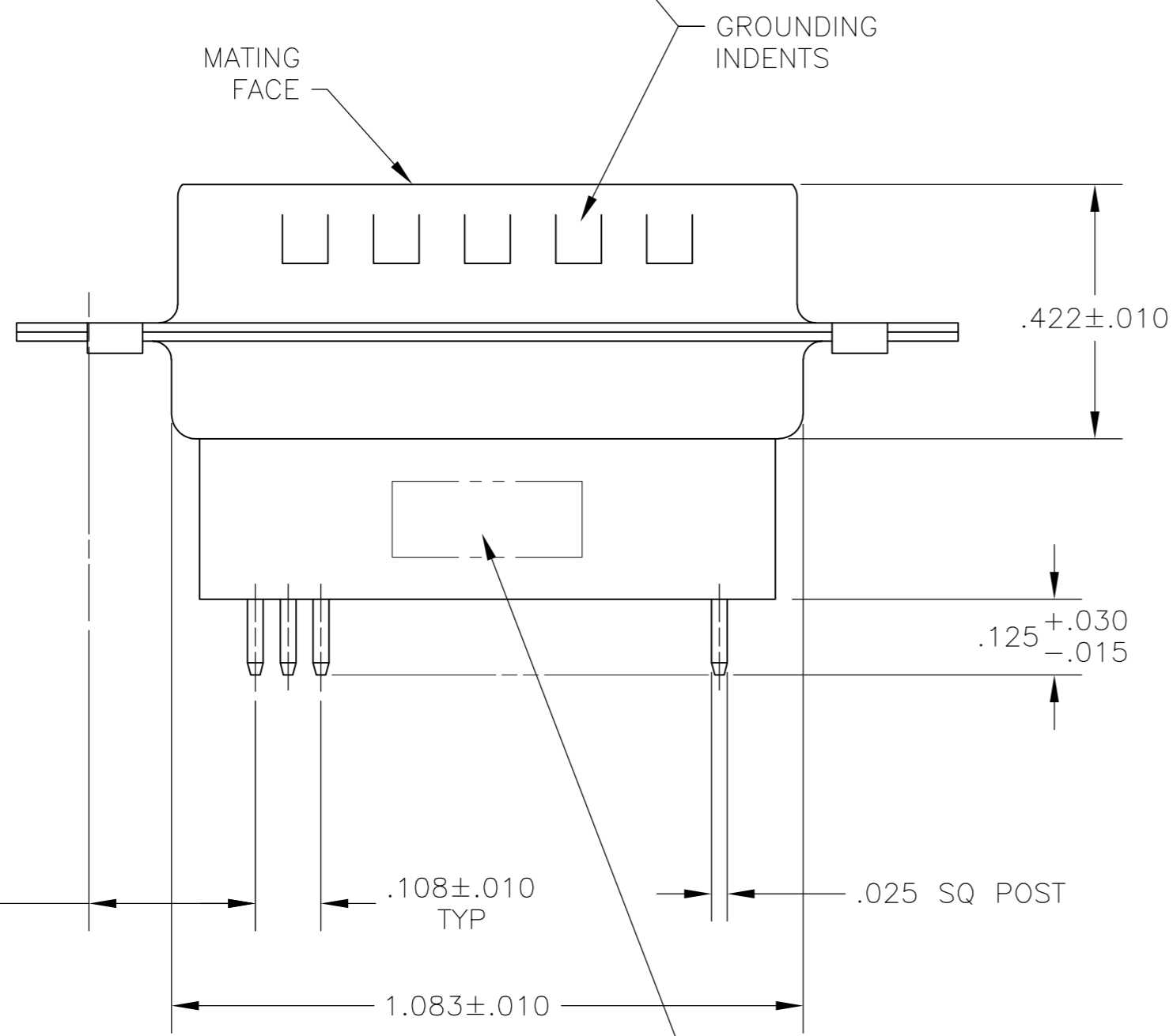


THIS DRAWING IS UNPUBLISHED. RELEASED FOR PUBLICATION
 © COPYRIGHT BY TYCO ELECTRONICS CORPORATION. ALL RIGHTS RESERVED.

LOC		DIST		REVISIONS			
P	LTR	DESCRIPTION	DATE	DWN	APVD		
GP	00						
	C	REVISED PER ECO-10-000073	3FEB2010	CJV	SB		



- 1 MOLDED PARTS: FLAME RETARDANT, UL 94V-0 RATED, THERMOPLASTIC, COLOR BLACK.
SHELL: CARBON STEEL
CONTACTS: BRASS
- 2 SHELLS: .000200 MIN TIN OVER .000100 COPPER.
CONTACTS: GOLD PLATING FOR A LENGTH OF .150 MIN FROM MATING END, .000030 MIN GOLD IN MATED AREA, .000100 MIN TIN ON SOLDER END, BOTH OVER .000050 MIN NICKEL.
-OR-
GOLD FLASH OVER PALLADIUM-NICKEL PLATED FOR A LENGTH OF .150 MIN FROM MATING END, .000030 MIN TOTAL IN MATED AREA, .000100 MIN TIN ON SOLDER END, BOTH OVER .000050 MIN NICKEL.



TYCO, PART NO & DATE CODE, MARKED IN AREA INDICATED, ON FAR SIDE

P.C. BOARD MOUNTING DIMENSIONS

5745411-1
PART NO

THIS DRAWING IS A CONTROLLED DOCUMENT.		DWN B. LATTUCA 15SEPT05	Tyco Electronics Corporation Harrisburg, Pa 17105-3608
DIMENSIONS: INCHES		CHK J. GERACE 15SEPT05	
TOLERANCES UNLESS OTHERWISE SPECIFIED:		APVD M. WALMSLEY 15SEPT05	NAME
0 PLC ± -	1 PLC ± -	PRODUCT SPEC	PLUG ASSEMBLY, SIZE 2, 15 POS, VERTICAL, .025 SQ POSTS, GROUNDING INDENTS, AMPLIMITE HDP
2 PLC ± .005	3 PLC ± -	APPLICATION SPEC	SIZE CAGE CODE DRAWING NO RESTRICTED TO
4 PLC ± -	ANGLES ± 2°	114-40013	A2 00779 C=5745411
MATERIAL	FINISH	WEIGHT	SCALE SHEET OF REV
1	2	-	NTS 1 OF 1 C
CUSTOMER DRAWING			