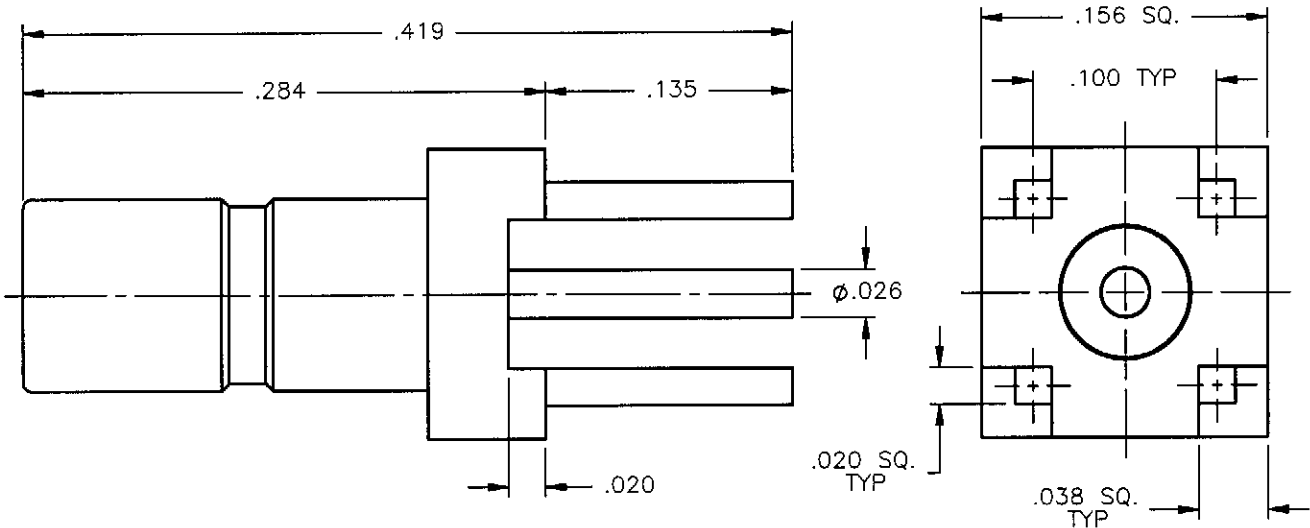


PROPRIETARY INFORMATION  
 NOT TO BE RELEASED  
 WITHOUT WRITTEN PERMISSION  
 FROM AN AUTHORIZED  
 REPRESENTATIVE OF  
 APPLIED ENGINEERING PRODUCTS

REVISIONS			
REV.	DESCRIPTION	DATE	APPROVED
A	ECO #7057	03/19/08	A.D.M.





NOTES:

MATERIALS:

1. BODY = BRASS PER ASTM B16, ALLOY C36000, TEMPER H02.
2. INSULATOR = VIRGIN WHITE TEFLON PER ASTM D1710, GRADE 1, TYPE I, CLASS "B".
3. CONTACT = BERYLLIUM COPPER PER ASTM B196, ALLOY C17300, TEMPER TD04.

FINISHES:

1. BODY = GOLD PLATE PER MIL-G-45204, TYPE II, CLASS 0, GRADE C, OVER .00010 TO .00020 COPPER STRIKE PER MIL-C-14550.
2. CONTACT = GOLD PLATE PER MIL-G-45204, TYPE II, CLASS 1, GRADE C, OVER .00010 TO .00020 STRESS FREE SULFAMATE NICKEL PER QQ-N-290.

UNLESS OTHERWISE SPECIFIED DIMENSIONS ARE IN INCHES TOLERANCES ON		DWN: A.D.M.	DATE 03/19/08	 <b>APPLIED ENGINEERING PRODUCTS</b> 104 John W. Murphy Dr. New Haven, CT 06513	
		CHKD: D.N.	DATE 03/19/08		
DECIMAL	ANGLE	APVD: J.M.	DATE 03/19/08	<b>SSMB STRAIGHT JACK          P.C.B. MOUNT          RECEPTACLE</b>	
REFERENCE:	MATERIALS & FINISHES:	SIZE A	FSCM NO. 19505		DWG NO. 7209-1511-011
ORIGINATED: D.N. DATE: 03/19/00		SEE NOTES		SCALE 10:1 THIRD ANGLE PROJECTION 	REV A SHEET 1 OF 1

7209-1511-011