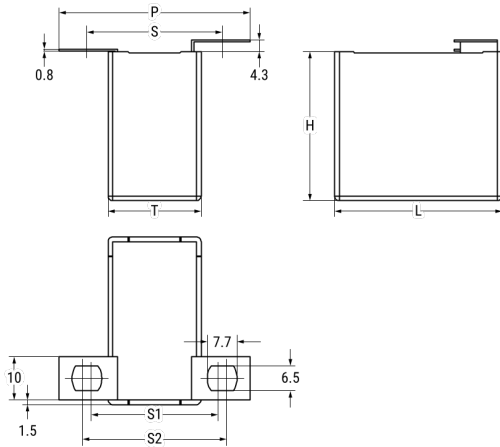


C4BTFBX4400ZEEJ

Obsolete

C4BT, Film, Metallized Polypropylene, Power, 4 uF, 5%, 250 VAC, 400 VDC, 70°C, Lead Spacing = 31mm



Click [here](#) for the 3D model.

Dimensions

L	32mm NOM
H	33mm NOM
T	18mm NOM
S	31mm NOM
S1	41mm NOM
S2	45mm +/-0.2mm
P	56mm NOM

Packaging Specifications

Packaging	Bulk, Bag
Packaging Quantity	65

General Information

Series	C4BT
Dielectric	Metallized Polypropylene
Style	Radial
Features	Switching
RoHS	Yes
Lead	Flat Tabs
AEC-Q200	No
Miscellaneous	KEMET Style E Tabs. Peak Voltage = 600 VDC.

Specifications

Capacitance	4 uF
Capacitance Tolerance	5%
Voltage AC	250 VAC
Voltage DC	400 VDC
Temperature Range	-40/+85°C
Rated Temperature	70°C
Max dV/dt	74 V/us
Resistance	2.5 mOhms (100kHz)
Ripple Current	23 Amps (100kHz 70C), 296 Amps (Peak)
Inductance	36 nH