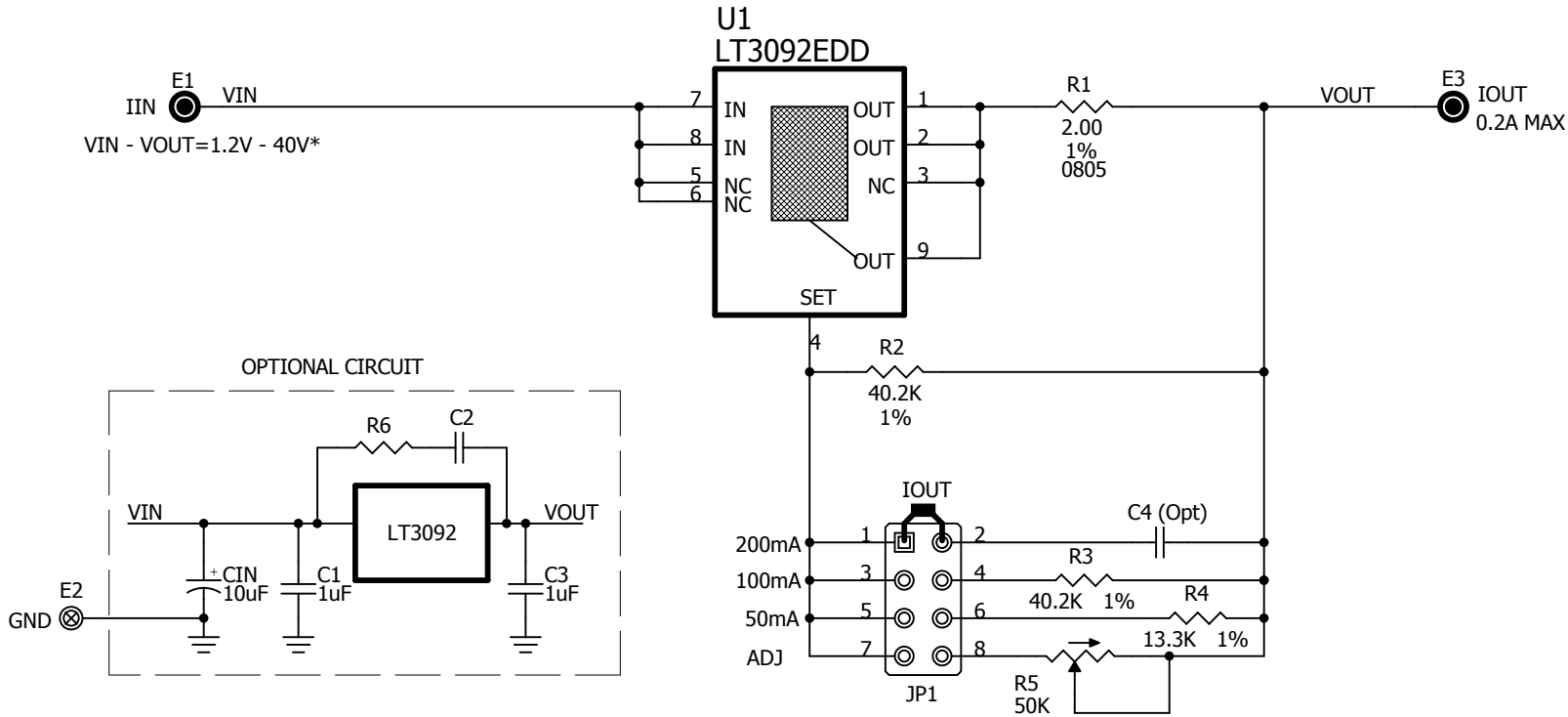


REVISION #				REVISION HISTORY		
SD	PC	FD	AD	DESCRIPTION	DATE	APPROVED
0	0	0	0	1st Release		



* Minimum VIN-VOUT depends on IOU.T.

This circuit is proprietary to Linear Technology and supplied for use with Linear Technology parts.
Customer Notice: Linear Technology has made a best effort to design a circuit that meets customer-supplied specifications; however, it remains the customers responsibility to verify proper and reliable operation in the actual application. Component substitution and printed circuit board layout may significantly affect circuit performance or reliability. Contact Linear Applications Engineering for assistance.

APPROVALS		LINEAR TECHNOLOGY CORPORATION	
DRAWN: Rudy Bautista		1630 McCARTHY BLVD	
ENGINEER: Tiger Zhou		MILPITAS, CA. 95035	
APPROVED:		www.linear.com	
CHECKED:		(408)432-1900	
Date: Thursday, July 09, 2009		(408)434-0507 (FAX)	
		Title LT3092EDD Two-Terminal Current Source	
		Document Number	
		DEMO CIRCUIT 1531A	
		Rev 1	
C:\ORCADWIN\CAPTURE\1531A\1531A_REV1.DSN		Sheet 1 of 1	