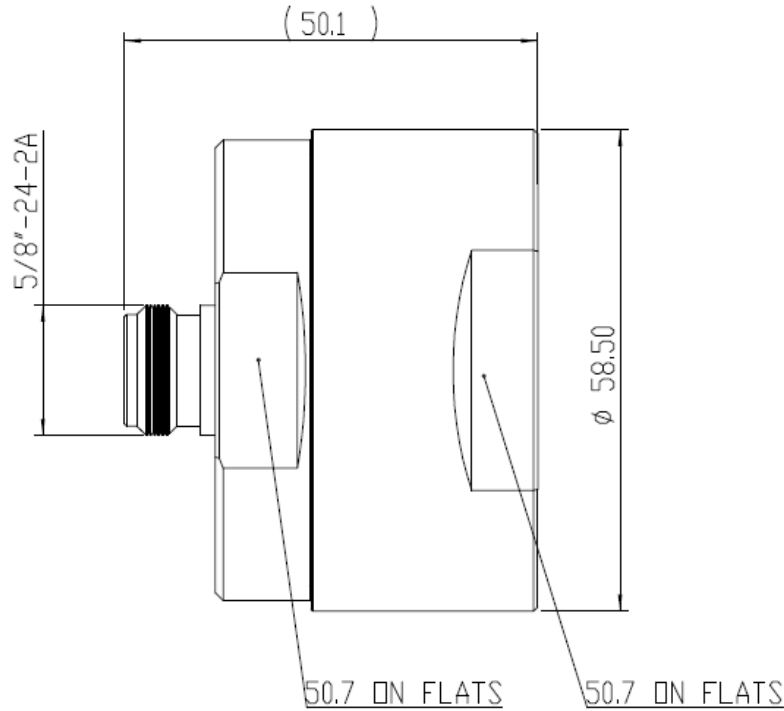


NOTICE OF PROPRIETARY RIGHTS THIS DOCUMENT CONTAINS CONFIDENTIAL TECHNICAL DATA, INCLUDING TRADE SECRETS, PROPRIETARY TO TIMES MICROWAVE SYSTEMS. DISCLOSURE OF THIS DATA IS EXPRESSLY CONDITIONED UPON YOUR ASSENT THAT ITS USE IS LIMITED TO USE WITHIN YOUR COMPANY ONLY. ANY OTHER USE IS STRICTLY PROHIBITED WITHOUT THE PRIOR WRITTEN CONSENT OF TIMES MICROWAVE SYSTEMS.

SYM	REVISION DESCRIPTION	DFTM	DATE	APPD	DATE
-	RELEASED FOR PRODUCTION	J. C. L.	3/4/96	J. C. L.	3/4/96
A	CHANGED PER CDC #44755	N. N. N.	6/27/16	J. D. B.	6/29/16



Reference standard IEC60169-16
 I. Electric Performance
 Impedance(Ω): 50
 Frequency Range: 0-3G
 VSWR: ≤ 1.35
 Insert Loss: (dB) $\leq 0.1(0-3G)$
 Insulation resistance ($M\Omega$) >5000
 Proof voltage (V) 2500
 Conductor resistance ($m\Omega$)
 outer conductor <0.4
 inner conductor <0.8

II. Mechanical Performance
 Retention $\geq 0.56N$
 Mating cycles 500

III. Material and plating:
 Component Material Plating
 inner conductor Spring copper Ag5um
 outer conductor Brass Copper-tin-zinc2um
 insulator PTFE
 O ring Silicone rubber

IV. Environment
 Temperature $-55^{\circ}\text{C} \sim +155^{\circ}\text{C}$
 Weather standard IEC 60068 55 / 155 / 56
 Thermal shock US MIL-STD 202, Meth.107, Cond.B
 Vibration US MIL-STD 202, Meth.204, Cond.B
 Shock US MIL-STD 202, Meth.213, Cond.I
 ROHS compliant

V. Assemble: inner and outer conductor installed

MATL:	UNLESS OTHERWISE SPECIFIED		DFTM. J. C. L.	TIMES MICROWAVE SYSTEMS	
	ALL DIMENSIONS ARE IN mm MACHINED SURFACES FINISH N/A RMS MAX. REMOVE ALL BURRS N/A MAX. BREAK MACHINE CORNERS N/A MAX. FILLET R. TOLERANCES ON DECIMALS . XX \pm N/A . XXX \pm N/A ANGLES $\pm 1^{\circ}$ FRACTIONS \pm N/A		DATE 3/4/96		
USED ON: O-1	DO NOT SCALE DRAWING		CHKD. J. C. L.	EZ-1700-NFC N FEMALE FOR LMR-1700 CABLE	
			DATE 3/4/96		
SCALE: N/A	DWG. SIZE A	CODE IDENT 68999	APPD. J. C. L.	DATE 3/4/96	SH T 1 of 1 SD3190-386 REV A