

Type LPS-02 In-Line Fuse Holder Low Profile Mini Auto Blade Fuses Splashproof Type



www.optifuse.com (619) 593-5050

Ratings:

Fuse Type: Low Profile Miniature Auto Blade - APSs, ANSs

Electrical Rating: 58VDC

Body: PVC

Contacts: Phosphor Bronze

Cap: Water Resistant Type

IP Rating: IP65

Wire Size: #12 ~ 22 AWG

Wire Color: Red

Body Color: Black

Wire Length: 6 inches; UL 1015 105°C

(Other wire lengths or colors available)

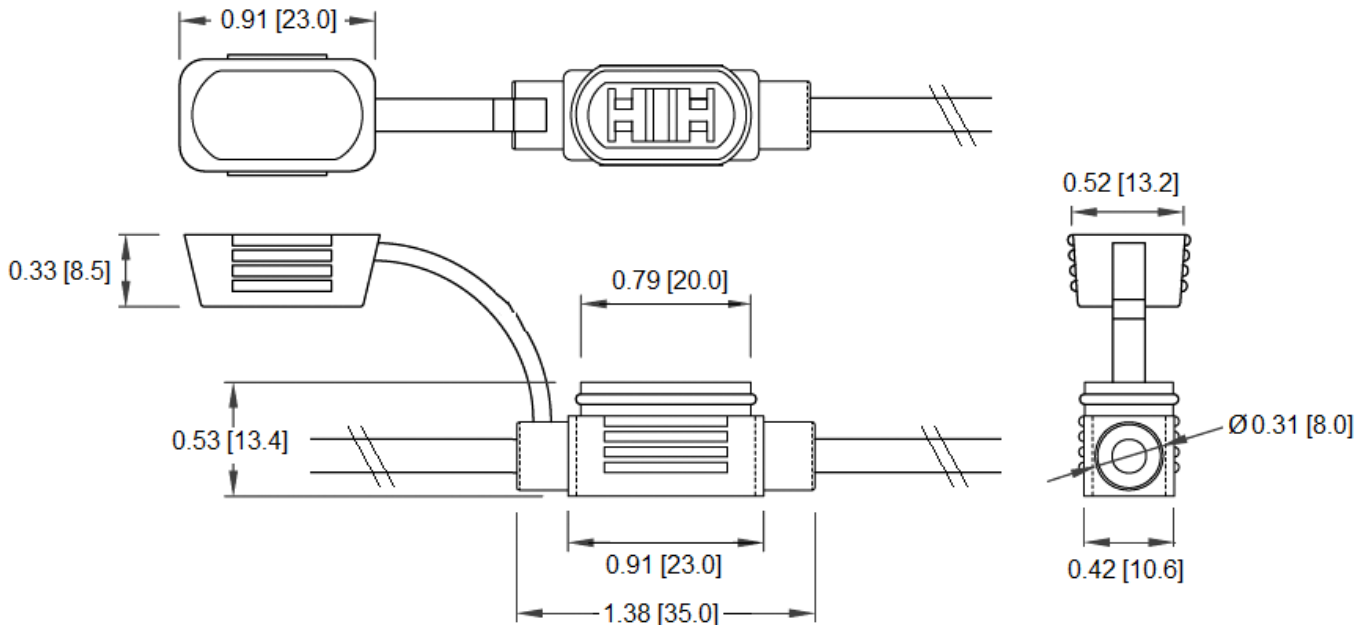
Part number format

LPS-02B-##R

Where ## = Wire Gauge

Wire Gauge	Max. Amperage
#12	30A
#14	20A
#16	15A
#18	10A
#20	7.5A
#22	5A

Mechanical Dimensions: Inches [mm]



Warning:



- Operation beyond the specified maximum ratings or improper use may result in damage and possible electrical arcing and/or flame.
- Avoid contact of device with chemical solvent. Prolonged contact may damage the device performance.
- Not designed for prolonged liquid exposure or submersible applications.