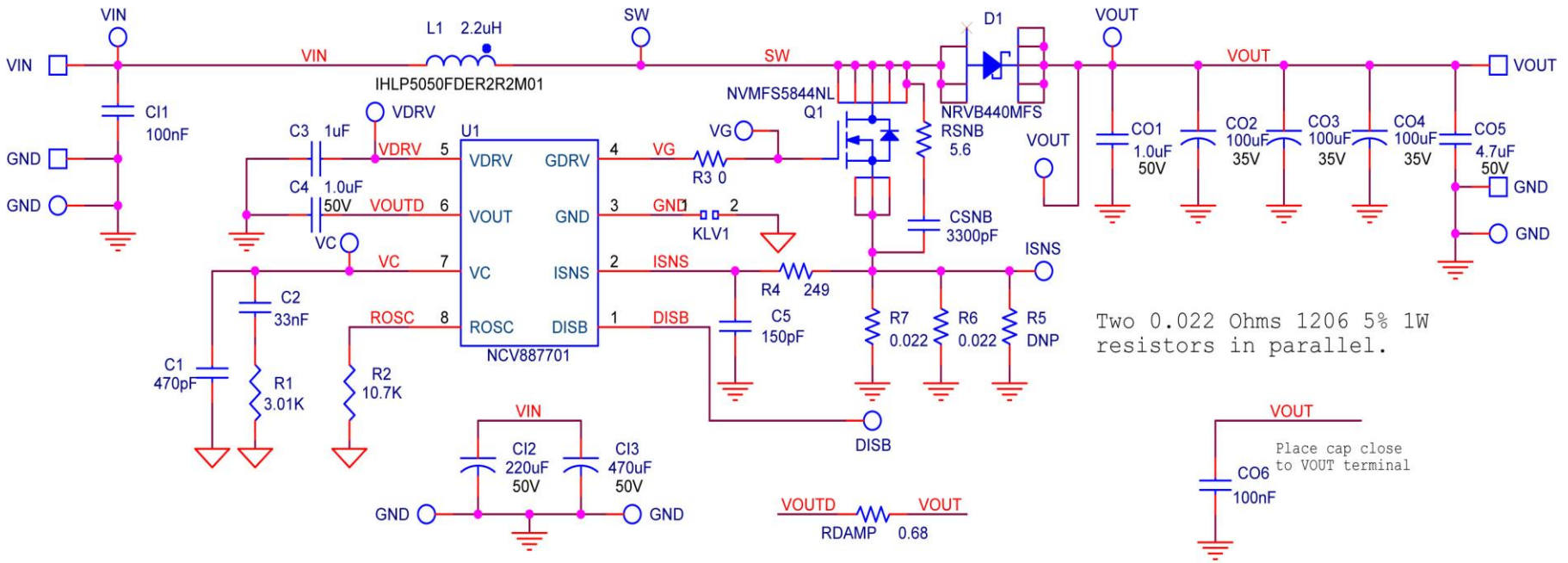
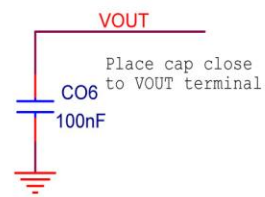


Schematic for the NCV887701BSTGEVB Evaluation Board



Two 0.022 Ohms 1206 5% 1W resistors in parallel.



Place capacitors directly after VIN terminal.