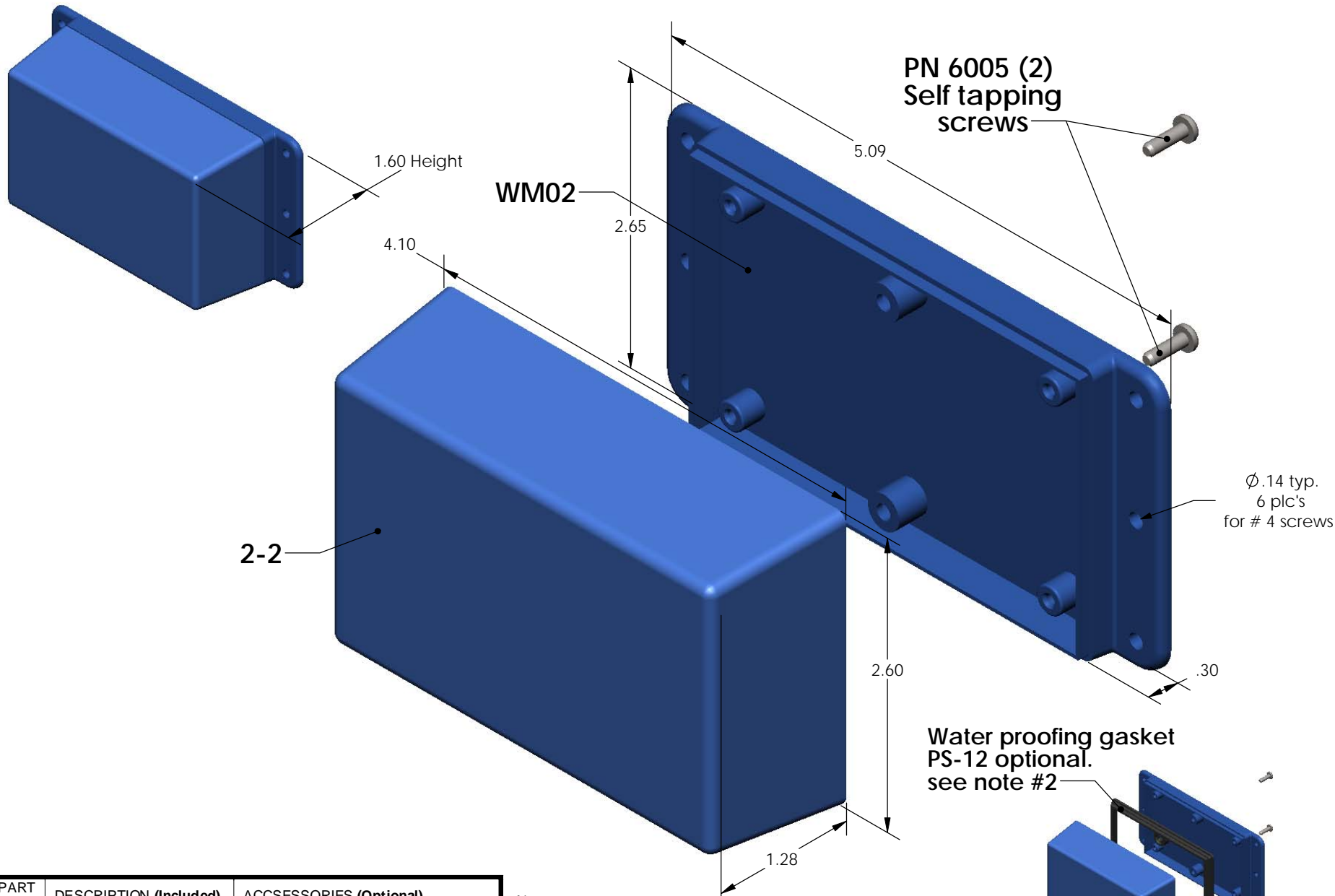


SERPAC WM022 (exploded isometric)

Electronic Enclosures



PART NO.	DESCRIPTION (Included)	ACCESSORIES (Optional)	
		PART NO.	DESCRIPTION
2-2	TOP		
WM02	BOTTOM	PS-12	Perimeter Seal
6005	#4 self tapping screw (2)		

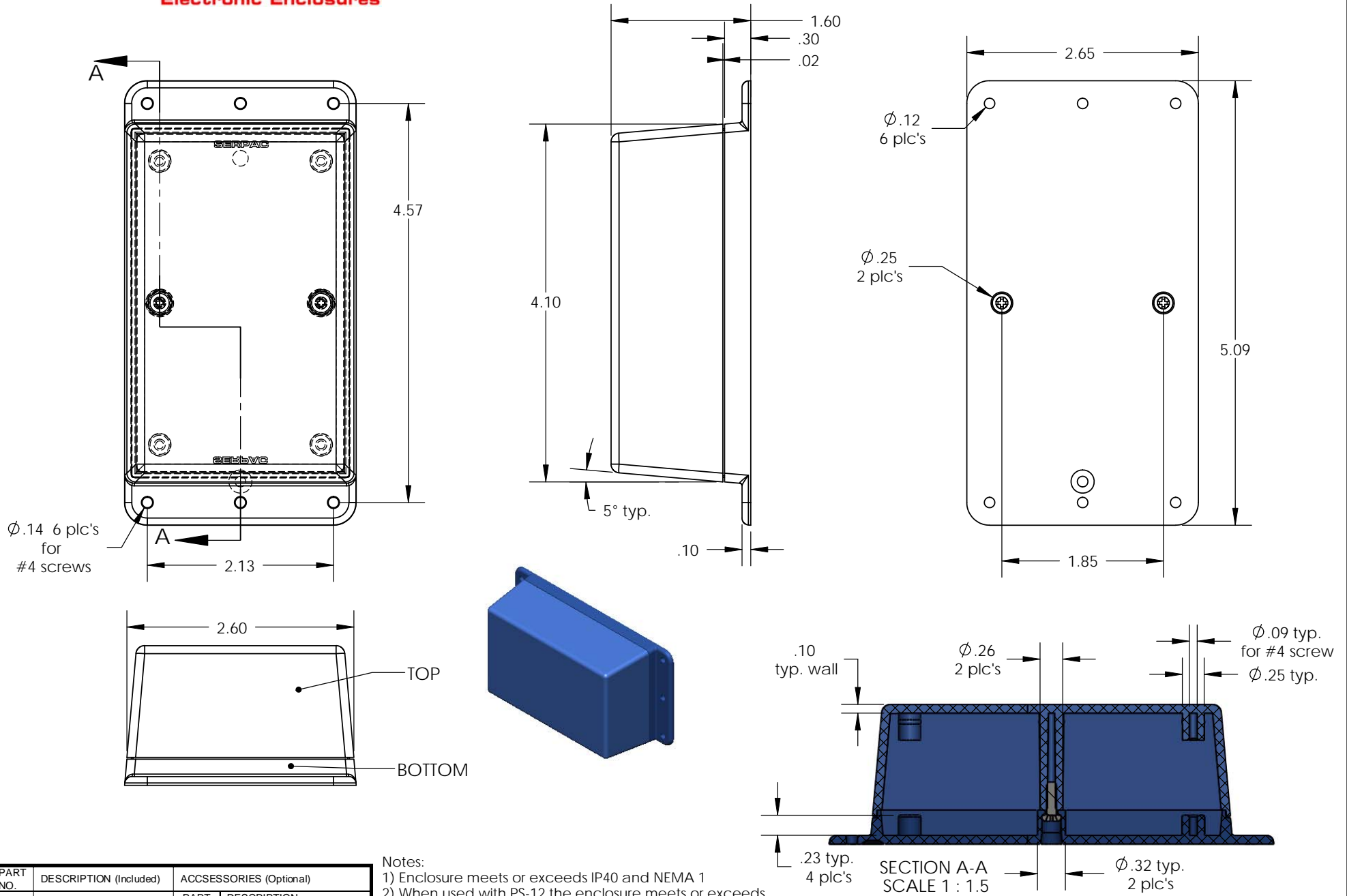
- Notes:
- 1) Enclosure meets or exceeds IP40 and NEMA 1
 - 2) When used with PS-12 the enclosure meets or exceeds IP 67 and NEMA 4X, 12 and 13 MIL-STD-810G 506.5
 - 3) Circuit Board drawings can be download at:
http://www.serpac.com/Products/Accessories/CircuitBoard/drawings/CB_WM022.pdf
 - 4) All components are RoHS Compliant.

Water proofing gasket
PS-12 optional.
see note #2

ALL DIMENSIONS ARE ± .010" 5/20/09 (1 of 2)
619 Commercial Ave. Covina, CA 91723
 Ph. (626) 331-0517 Fx. (626) 331-8584 serpac.com

SERPAC WM022 (user print)

Electronic Enclosures



PART NO.	DESCRIPTION (Included)	ACCESSORIES (Optional)	
2-2	TOP	PART NO.	DESCRIPTION
WM02	BOTTOM	PS-12	Perimeter Seal
6005	#4 self tapping screw (2)		

Notes:

- 1) Enclosure meets or exceeds IP40 and NEMA 1
- 2) When used with PS-12 the enclosure meets or exceeds IP 67 and NEMA 4X, 12 and 13 MIL-STD-810G 506.5
- 3) Circuit Board drawings can be download at: http://www.serpac.com/Products/Accessories/CircuitBoard/drawings/CB_WM022.pdf
- 4) All components are RoHS Compliant.

ALL DIMENSIONS ARE $\pm .010"$ 5/20/09 (2 of 2)
 619 Commercial Ave. Covina, CA 91723
 Ph. (626) 331-0517 Fx. (626) 331-8584 www.serpac.com