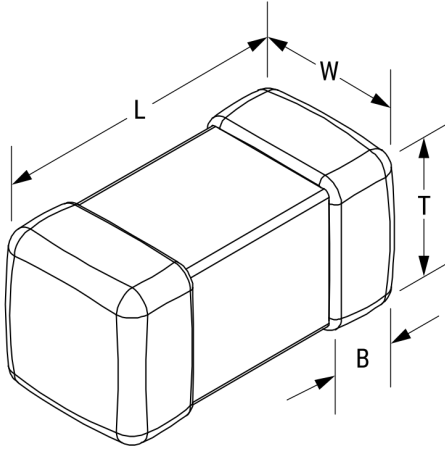


Z0402C182DSMST

Aliases (Z0402C182DSMST)

Obsolete

KEMET, Z-SMS, Ferrite Beads, Noise Suppression, 900 mOhms



Click [here](#) for the 3D model.

General Information

Series	Z-SMS
Style	SMD Chip
Description	Chip Bead Signal Line
Features	Intended For Noise Suppression Around 200MHz, Effectively Increase Attenuation
RoHS	Yes

Specifications

Impedance	1800 Ohms (100 MHz)
Impedance Tolerance	25%
Ripple Current	120 mA (MAX)
Temperature Range	-55/+125°C

Dimensions

Chip Size	0402
L	1mm +/-0.05mm
W	0.5mm +/-0.05mm
T	0.5mm +/-0.05mm
B	0.25mm +/-0.1mm

Packaging Specifications

Packaging	T&R
Packaging Quantity	10000

Statements of suitability for certain applications are based on our knowledge of typical operating conditions for such applications, but are not intended to constitute - and we specifically disclaim - any warranty concerning suitability for a specific customer application or use. This information is intended for use only by customers who have the requisite experience and capability to determine the correct products for their application. Any technical advice inferred from this information or otherwise provided by us with reference to the use of our products is given gratis, and we assume no obligation or liability for the advice given or results obtained.