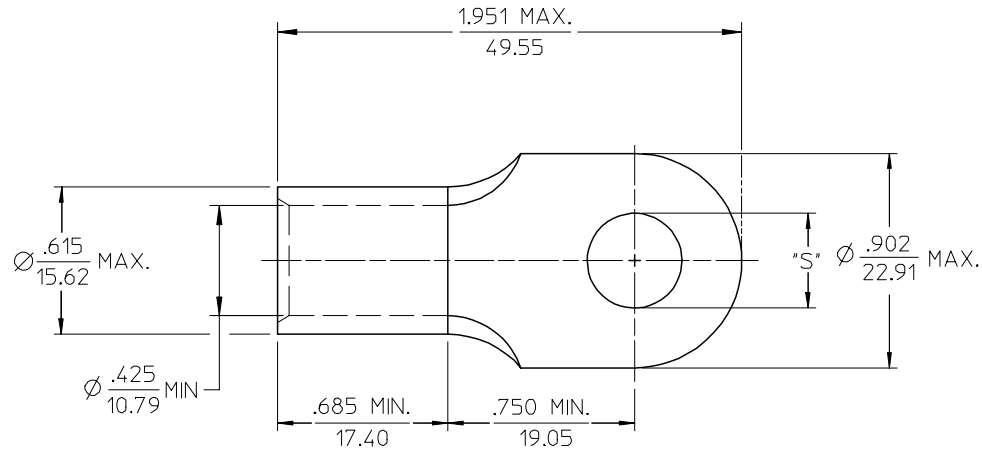


MATERIAL NO.	ENG. NO.	STUD SIZE	±.003 "S"	STOCK THICKNESS
191930326	H-380-14	1/4	.265	.075 (1.90)
191930328	H-380-56	5/16	.328	
191930612	H-380-38	3/8	.390	
191930329	H-380-76	7/16	.453	
191930325	H-380-12	1/2	.515	



SALES DRAWING

- NOTE(S):
1. MATERIAL: COPPER
 2. PLATING: ELECTROPLATE TIN
 3. ALL DIMENSIONS IN INCHES/(MM)
 4. WIRE SIZE: 1/0 AWG
50 MM²
 5. PART IS ROHS COMPLIANT.

REV CHART & ADDED ROHS EC NO: ETL2007-0397 DRW:HEHLE 2007/04/17 CHYD: JMACNEIL 2007/05/09 APPR: JMACNEIL 2007/05/10	QUALITY SYMBOLS	GENERAL TOLERANCES (UNLESS SPECIFIED)		DIMENSION STYLE	SCALE	DESIGN UNITS	THIRD ANGLE PROJECTION
	▼=0 ▽=0	4 PLACES ± --- ± --- 3 PLACES ± --- ± .005 2 PLACES ± 0.13 ± .01 1 PLACE ± 0.25 ± --- ANGULAR ±1/2°	mm INCH ± --- ± --- ± --- ± .005 ± 0.13 ± .01 ± 0.25 ± ---	IN/MM DRAWN BY DATE GZ 85/04/15 CHECKED BY DATE GZ 85/04/15 APPROVED BY DATE GZ 85/04/15	2:1 INCH	INCH	RING TONGUE TERMINAL, VERSAKRIMP SERIES, 1/0 AWG
	DRAFT WHERE APPLICABLE MUST REMAIN WITHIN DIMENSIONS	MATERIAL NO. SEE CHART	DOCUMENT NO. SD-19193-008	SHEET NO. 1 OF 1			
		SIZE B THIS DRAWING CONTAINS INFORMATION THAT IS PROPRIETARY TO MOLEX INCORPORATED AND SHOULD NOT BE USED WITHOUT WRITTEN PERMISSION					