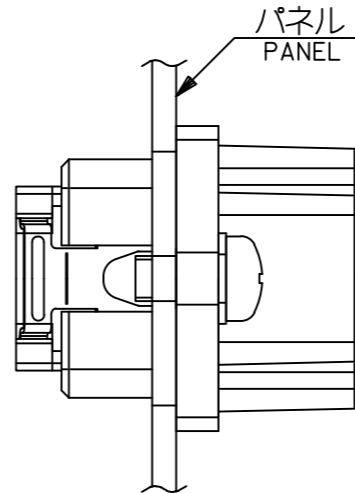
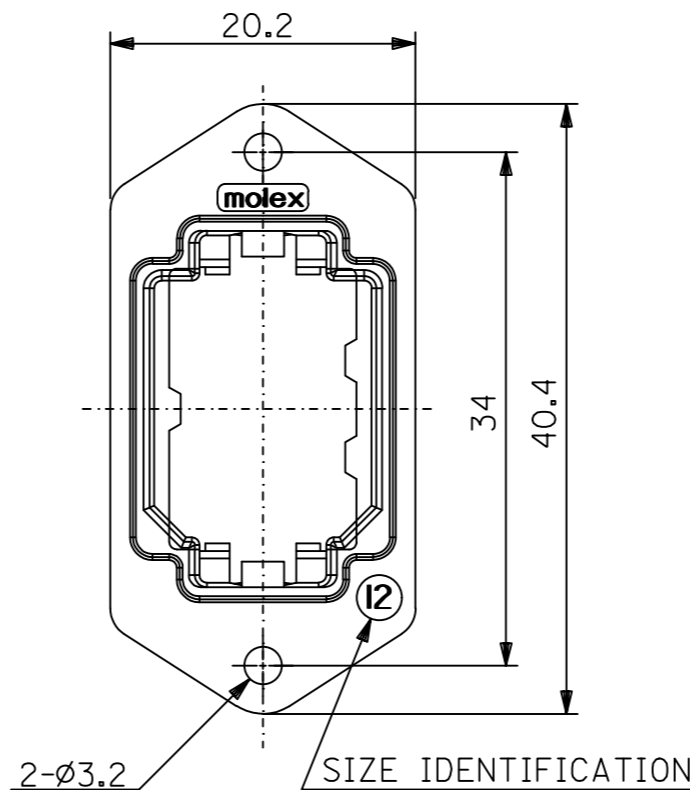
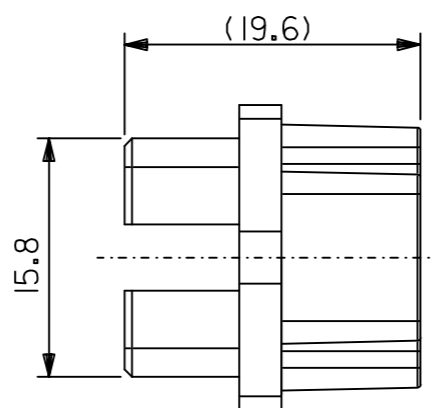
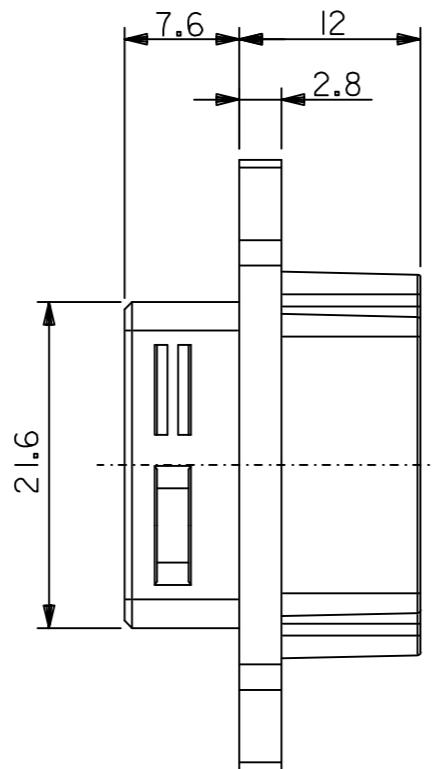
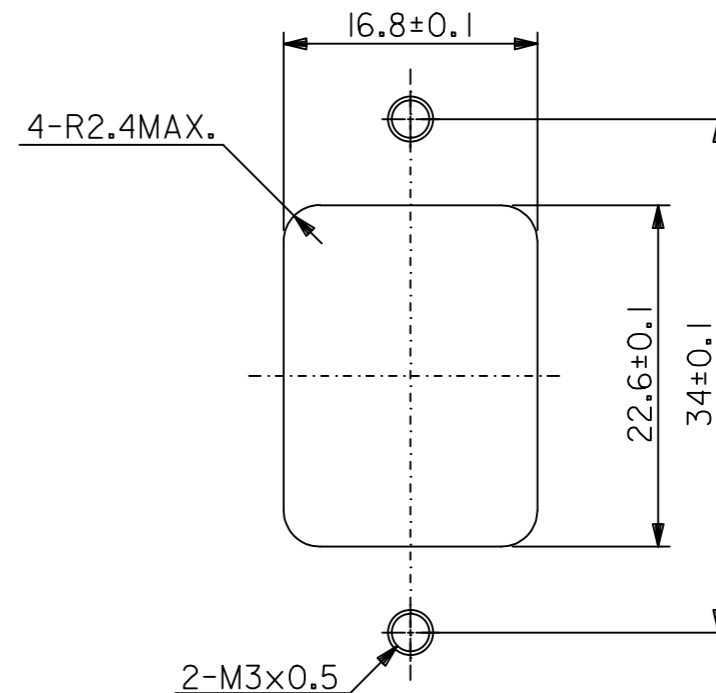


ハウジング挿入方向キー  
POLARIZATIONS KEY FOR HOUSING



パネル前面取り付け  
FRONT MOUNT TYPE



推奨パネル切り取り寸法 (前面取り付け)  
RECOMMENDED PANEL OPENING (FRONT MOUNTING)

注記  
NOTES

- 材質  
MATERIAL  
亜鉛合金, ニッケルメッキ  
ZINC ALLOY, NI PLATING
- 適用ハウジングアッセンブリ: 51233-121\* (PIN HS'G ASS'Y)  
51238-121\* (SOCKET HS'G ASS'Y)  
55890-041\* (PIN HS'G ASS'Y)  
51300-041\* (SOCKET HS'G ASS'Y)  
APPLICABLE HOUSING ASS'Y: 51233-121\* (PIN HS'G ASS'Y)  
51238-121\* (SOCKET HS'G ASS'Y)  
55890-041\* (PIN HS'G ASS'Y)  
51300-041\* (SOCKET HS'G ASS'Y)
- 推奨ねじ締め付けトルク: 5~6 kgf・cm  
RECOMMENDED SCREW TIGHTENING TORQUE: 5~6 kgf・cm

563771200	56377-1200	56377-****
MATERIAL NO.	ENG. NO.	MODEL NO.

FUNCTIONAL SYMBOLS F=0 E=0 P=0	THIS DRAWING CONTAINS INFORMATION THAT IS PROPRIETARY TO MOLEX ELECTRONIC TECHNOLOGIES, LLC AND SHOULD NOT BE USED WITHOUT WRITTEN PERMISSION					
	CURRENT REV DESC: CONVERTED TO AUTOCAD. TRADEMARK LOGO "MOLEX" CHANGED					
	GENERAL TOLERANCES (UNLESS SPECIFIED)			PRODUCT CUSTOMER DRAWING		
	DIVISIONAL SYMBOLS			DOCUMENT NUMBER		
4 PLACES ±--- ±---			EC NO: 652148			
3 PLACES ±--- ±---			DRWN: ABENJAMINLW 2020/11/26			
2 PLACES ±--- ±---			CHK'D: MBIZZOZERO 2021/03/02			
1 PLACE ±--- ±---			APPR: MBIZZOZERO 2021/03/02			
0 PLACES ±--- ±---			INITIAL REVISION:			
ANGULAR TOL ± --- °			DRWN: SAKIYAMA 2001/03/07			
DRAFT WHERE APPLICABLE MUST REMAIN WITHIN DIMENSIONS			APPR: SAKIYAMA 2001/03/07			
THIRD ANGLE PROJECTION			DRAWING			
B-SIZE			SERIES			
MATERIAL NUMBER			CUSTOMER			
SEE CHART			GENERAL MARKET			
SHEET NUMBER			1 OF 1			