

PART NO.
DWG. NO.

[B × 0.1M × C]

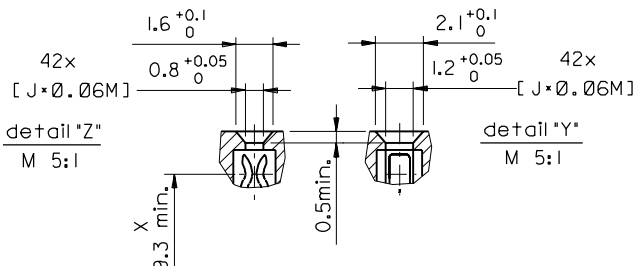
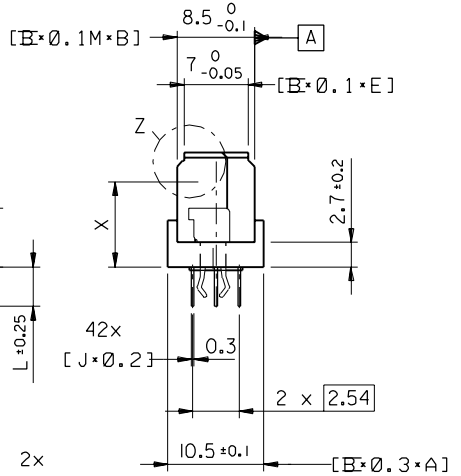
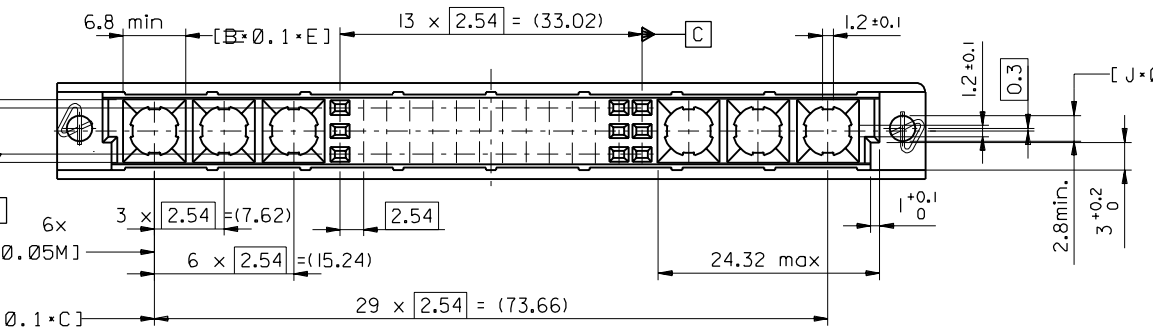
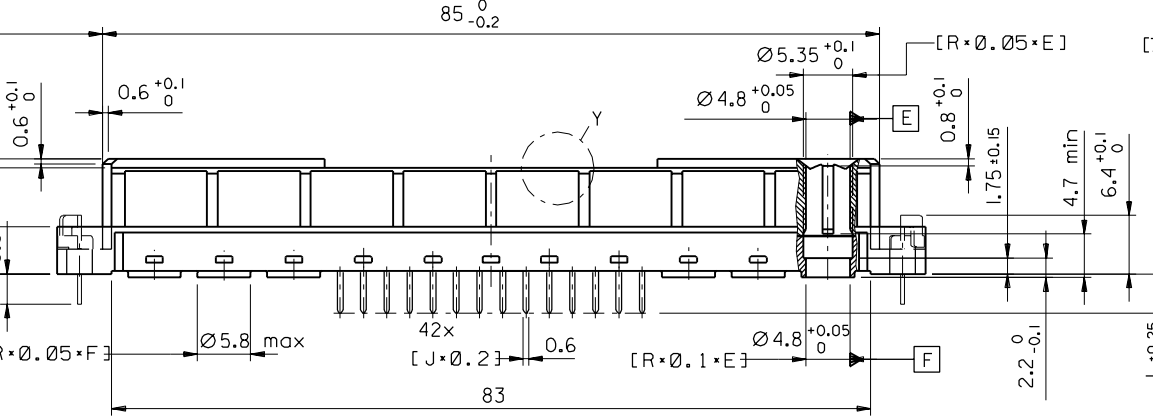
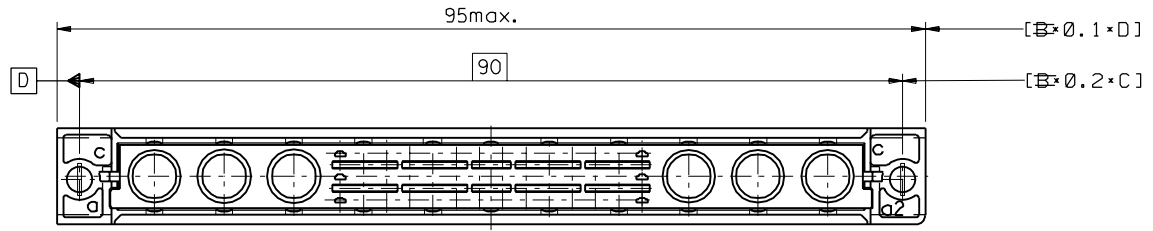
[R × 0.05 × F]

[B × 0.1 × E]

[B × 0.1 × C]

detail "Z"
M 5:1

7132-1283



FIRST ANGLE PROJECTION		REVISE ONLY ON CAD SYSTEM		SH.	REV.
UNLESS OTHERWISE SPECIFIED TOLERANCES: ANGULAR ±2°		DRWG BY	SIGN	CAD/CAM PROJECT NAME	
INCH		KN		85048000	
METRIC		CHK'D BY	SIGN	831	
3 PLACE ±		Ca		THIS DRAWING CONTAINS INFORMATION THAT IS PROPRIETARY TO MOLEX INC. & SHOULD NOT BE USED WITHOUT WRITTEN PERMISSION	
2 PLACE ±		APP'D BY	SIGN	TITLE	
1 PLACE ±		JB		42 pol. Federleiste	
DRAFT WHERE APPLICABLE MUST REMAIN WITHIN DIMENSIONS		SCALE		42 pos. female connector	
DESIGN DIMENSION <input checked="" type="checkbox"/> MM				DIN 41612, style M	
EQUIVALENT DIMENSION <input type="checkbox"/> MM				MOLEX EUROPE	
EQUIVALENT DIMENSION <input type="checkbox"/> IN.				SHEET NO. DATE	
IF TWO DIMENSIONS ARE SHOWN THE UPPER IS THE DESIGN DIMENSION, LOWER IS SECONDARY				1 OF 2 97/04/10	

ECN 2478	first release
LTR	REVISIONS
A	FOR PREVIOUS REVISIONS SEE MRI LIST

PART NO.	DWG NO.	SIZE
SD-85048-0003		B

