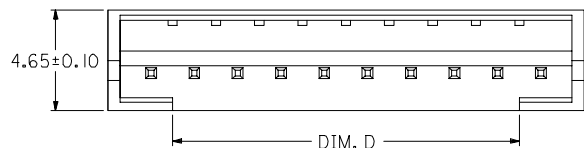
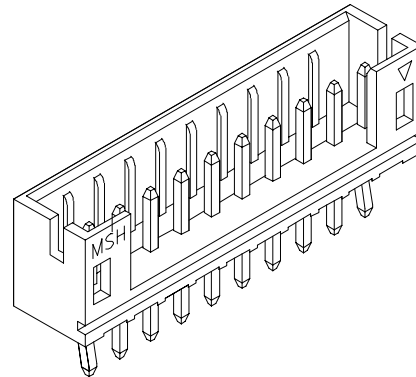
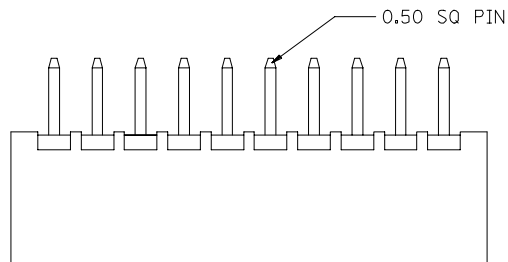


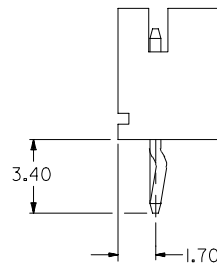
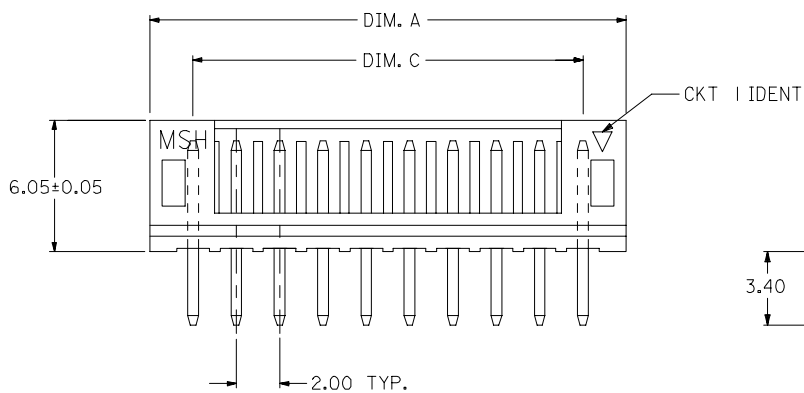
CIRCUITS	ORDER NO.	DIM. C	DIM. D	DIM. A
2	89400-021*	2.00	0.75	6.00
3	89400-031*	4.00	2.00	8.00
4	89400-041*	6.00	4.00	10.00
5	89400-051*	8.00	6.00	12.00
6	89400-061*	10.00	8.00	14.00
7	89400-071*	12.00	10.00	16.00
8	89400-081*	14.00	12.00	18.00
9	89400-091*	16.00	14.00	20.00
10	89400-101*	18.00	16.00	22.00
11	89400-111*	20.00	18.00	24.00
12	89400-121*	22.00	20.00	26.00
13	89400-131*	24.00	22.00	28.00
14	89400-141*	26.00	24.00	30.00
15	89400-151*	28.00	26.00	32.00
16	89400-161*	30.00	28.00	34.00



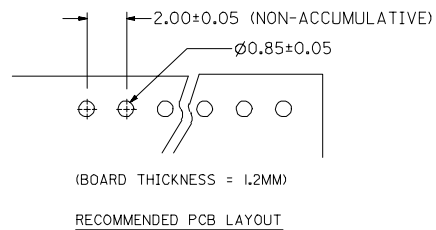
PART NO. LEGEND
89400 - **1*

CKT SIZE

COLOR OPTION
0 - NATURAL (WHITE)
1 - BLACK
2 - RED
3 - YELLOW
4 - BLUE
6 - GREEN

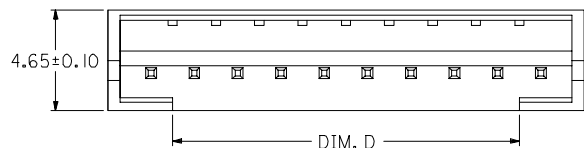
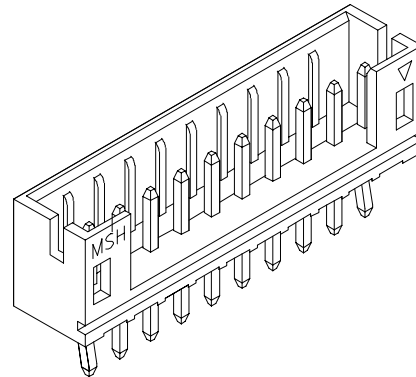
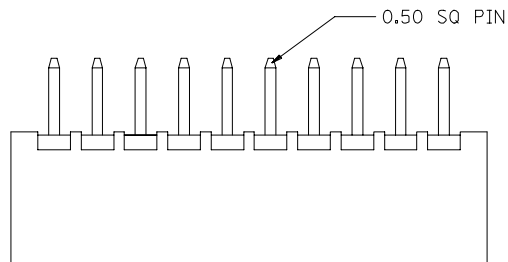


- NOTE:
- MATERIALS : HOUSING - NYLON (PA66), UL94 V-0
COLOR : SEE OPTION
TERMINAL - BRASS
 - FINISHES : TERMINAL - TIN THICKNESS 1.27-2.54 MICROMETER OVER
NICKEL THICKNESS 2.54 MICROMETER MIN OVERALL
COPPER THICKNESS 1.07 MICROMETER MIN OVERALL
 - PRODUCT SPECIFICATION : PS-87369-0001
 - BULK PACK IN PVC BAG WITH 1000 PCS PER BAG.



NEW RELEASE EC NO: SH2006-0288 DRWN:DHU 2005/12/07 CHKD:HARVEY 2005/12/08 APPR:GCHEN 2005/12/09	DESCRIPTION	QUALITY SYMBOLS	GENERAL TOLERANCES (UNLESS SPECIFIED)	DIMENSION STYLE	SCALE	DESIGN UNITS	THIRD ANGLE PROJECTION
		▽=0 ▽C=0	mm INCH	MM ONLY	METRIC	⊕	
			4 PLACES ± --- ± --- 3 PLACES ± --- ± --- 2 PLACES ± 0.2 ± --- 1 PLACE ± --- ± --- ANGULAR ± ---°	DRAWN BY DATE GOH 1995/02/04	TITLE 2.00MM WIRE-BOARD STRAIGHT HEADER		
			DRAFT WHERE APPLICABLE MUST REMAIN WITHIN DIMENSIONS	CHECKED BY DATE APPROVED BY DATE	MATERIAL NO. DOCUMENT NO. SHEET NO. SEE TABLE SD-89400-**1* 1 OF 1		

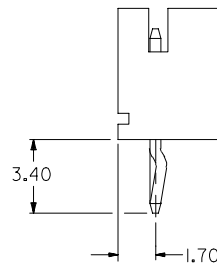
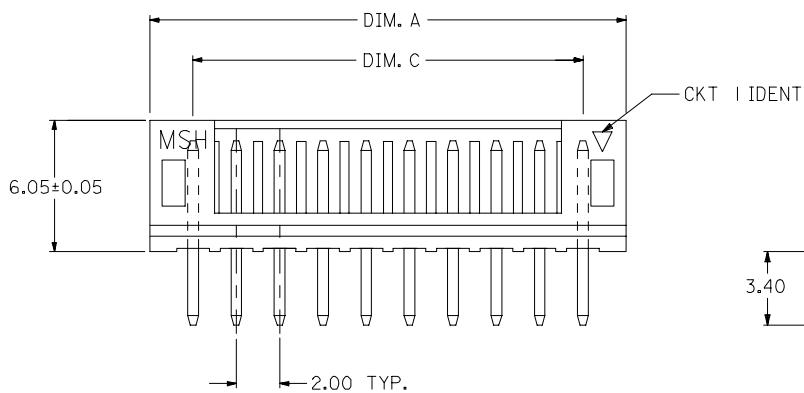
CIRCUITS	ORDER NO.	DIM. C	DIM. D	DIM. A
2	89400-021*	2.00	0.75	6.00
3	89400-031*	4.00	2.00	8.00
4	89400-041*	6.00	4.00	10.00
5	89400-051*	8.00	6.00	12.00
6	89400-061*	10.00	8.00	14.00
7	89400-071*	12.00	10.00	16.00
8	89400-081*	14.00	12.00	18.00
9	89400-091*	16.00	14.00	20.00
10	89400-101*	18.00	16.00	22.00
11	89400-111*	20.00	18.00	24.00
12	89400-121*	22.00	20.00	26.00
13	89400-131*	24.00	22.00	28.00
14	89400-141*	26.00	24.00	30.00
15	89400-151*	28.00	26.00	32.00
16	89400-161*	30.00	28.00	34.00



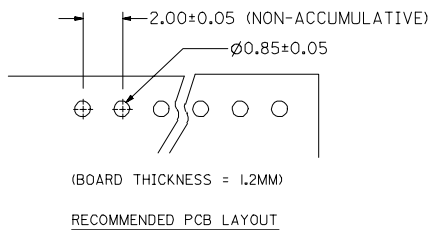
PART NO. LEGEND
89400 - **1*

CKT SIZE

COLOR OPTION
0 - NATURAL (WHITE)
1 - BLACK
2 - RED
3 - YELLOW
4 - BLUE
6 - GREEN



- NOTE:
- MATERIALS : HOUSING - NYLON (PA66), UL94 V-0
COLOR : SEE OPTION
TERMINAL - BRASS
 - FINISHES : TERMINAL - TIN THICKNESS 1.27-2.54 MICROMETER OVER
NICKEL THICKNESS 2.54 MICROMETER MIN OVERALL
COPPER THICKNESS 1.07 MICROMETER MIN OVERALL
 - PRODUCT SPECIFICATION : PS-87369-0001
 - BULK PACK IN PVC BAG WITH 1000 PCS PER BAG.



NEW RELEASE EC NO: SH2006-0288 DRWN:DHU 2005/12/07 CHKD:HARVEY 2005/12/08 APPR:GCHEN 2005/12/09	QUALITY SYMBOLS ▽=0 ▽C=0	GENERAL TOLERANCES (UNLESS SPECIFIED)		DIMENSION STYLE MM ONLY		SCALE	DESIGN UNITS METRIC	THIRD ANGLE PROJECTION		
				mm	INCH	DRAWN BY GOH	DATE 1995/02/04	TITLE 2.00MM WIRE-BOARD STRAIGHT HEADER		
		4 PLACES ±---		±---	±---	CHECKED BY	DATE	APPROVED BY		
		3 PLACES ±---		±---	±---	APPROVED BY		DATE	MATERIAL NO.	
2 PLACES ±0.2		±---	±---	APPROVED BY		DATE	DOCUMENT NO.			
1 PLACE ±---		±---	±---	APPROVED BY		DATE	SHEET NO.			
ANGULAR ±---		ANGULAR ±---		DRAFT WHERE APPLICABLE MUST REMAIN WITHIN DIMENSIONS		SEE TABLE		SD-89400-**1*		
SIZE A3		THIS DRAWING CONTAINS INFORMATION THAT IS PROPRIETARY TO MOLEX INCORPORATED AND SHOULD NOT BE USED WITHOUT WRITTEN PERMISSION						1 OF 1		