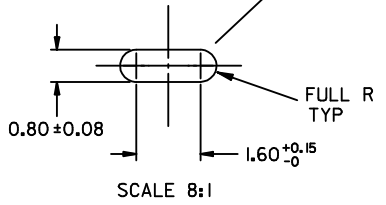
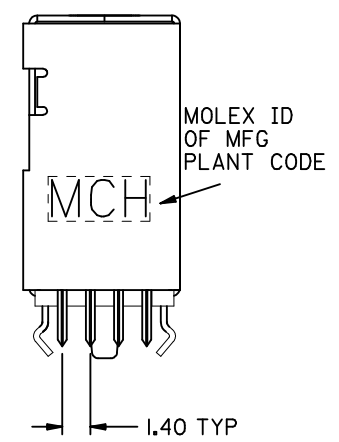
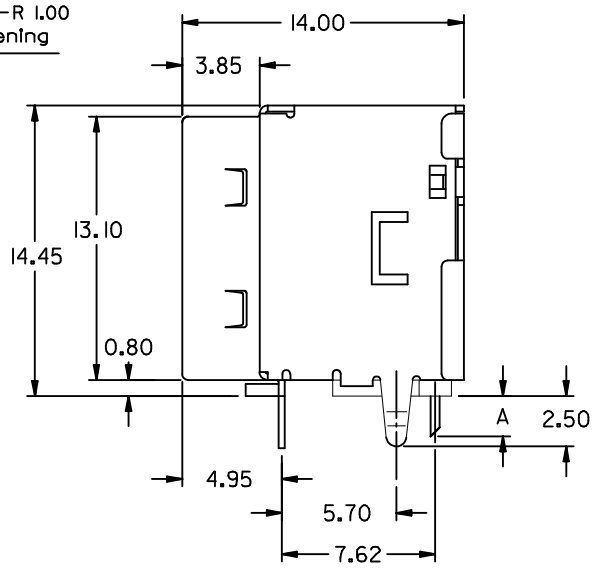
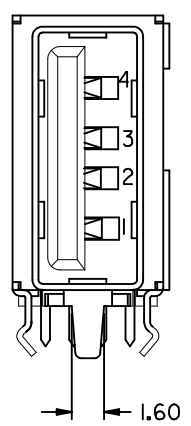
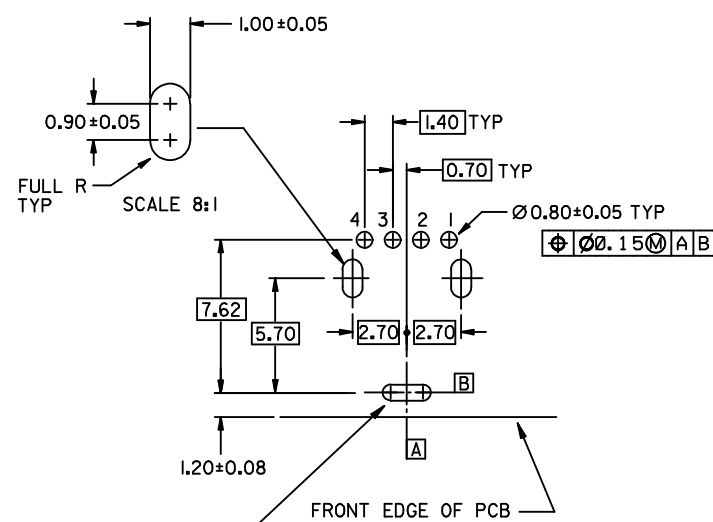
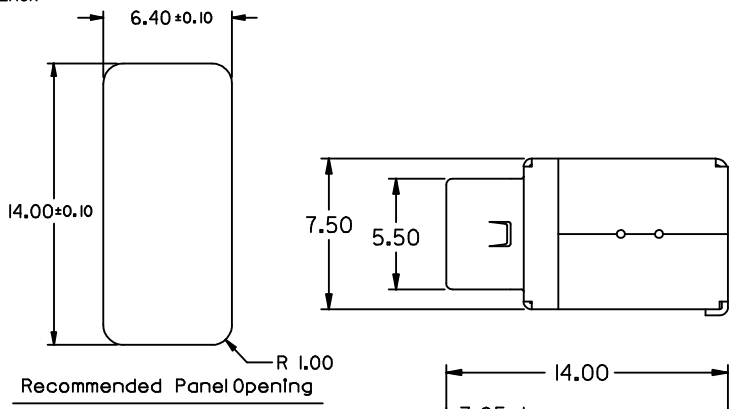


DIMENSION "A"	P/N LEGEND:	
2.00 <sup>+0.35</sup> <sub>-0.15</sub>	89485-8030	GOLD FLASH PLATING ON CONTACT AREA
	89485-8031	30 MICRO INCH GOLD PLATING ON CONTACT AREA

- NOTES :
- MATERIAL :  
HOUSING : HIGH TEMPERATURE NYLON , GLASS FIBRE FILLED, UL94-V0 , COLOR: BLACK  
TERMINAL : PHOSPHOR BRONZE  
METAL SHELL : DEEP DRAWN STEEL
  - PLATING :  
TERMINAL :  
CONTACT AREA : (a) GOLD FLASH.  
(b) GOLD (Au), THICKNESS = 30 MICROINCH MINIMUM.  
SOLDER TAIL :  
PURE TIN THICKNESS= 75 MICROINCH MINIMUM .  
UNDER PLATE : NICKEL (Ni), THICKNESS= 50 MICROINCH MINIMUM.
  - METAL SHELL :  
NICKEL (Ni) , THICKNESS= 80 MICROINCH MINIMUM.  
UNDER PLATE : COPPER (Cu) , THICKNESS= 100 MICROINCH MINIMUM.
  - RECOMMENDED PCB THICKNESS : 1.20±0.05 mm
  - PRODUCT SPECIFICATION : REFER TO PS-89485



NEW RELEASE EC NO: SH2005-0132 DRWN: DAVID HU 2004/10/28 CHKD: 2004/12/02 APPR: YTYAP 2004/12/02 REV: A	QUALITY SYMBOLS ▽=0 ◻=0	GENERAL TOLERANCES (UNLESS SPECIFIED) <table border="1"> <thead> <tr> <th></th> <th>mm</th> <th>INCH</th> </tr> </thead> <tbody> <tr> <td>4 PLACES</td> <td>± ---</td> <td>± ---</td> </tr> <tr> <td>3 PLACES</td> <td>± ---</td> <td>± ---</td> </tr> <tr> <td>2 PLACES</td> <td>± 0.25</td> <td>± .010</td> </tr> <tr> <td>1 PLACE</td> <td>± 0.25</td> <td>± .010</td> </tr> <tr> <td colspan="3">ANGULAR ± 3°</td> </tr> </tbody> </table>		mm	INCH	4 PLACES	± ---	± ---	3 PLACES	± ---	± ---	2 PLACES	± 0.25	± .010	1 PLACE	± 0.25	± .010	ANGULAR ± 3°			DIMENSION STYLE MM ONLY DRAWN BY: DAVID HU DATE: 2004/10/28 CHECKED BY: _____ DATE: _____ APPROVED BY: _____ DATE: _____	SCALE 4:1 DESIGN UNITS METRIC THIRD ANGLE PROJECTION	TITLE SINGLE PORT UP-RIGHT USB CONNECTOR(FOR PCB ±=1.2mm) (LEAD-FREE)	mox MOLEX INCORPORATED	DOCUMENT NO. SD-89485-009	SHEET NO. 1 OF 1
		mm	INCH																							
	4 PLACES	± ---	± ---																							
	3 PLACES	± ---	± ---																							
2 PLACES	± 0.25	± .010																								
1 PLACE	± 0.25	± .010																								
ANGULAR ± 3°																										
DRAFT WHERE APPLICABLE MUST REMAIN WITHIN DIMENSIONS		MATERIAL NO. SEE TABLE	THIS DRAWING CONTAINS INFORMATION THAT IS PROPRIETARY TO MOLEX INCORPORATED AND SHOULD NOT BE USED WITHOUT WRITTEN PERMISSION																							