

WIRING DIAGRAM - 16 CORE CABLE

▽ JST 18 CIRCUIT PHD CONNECTOR		▽ 16 CORE CABLE		▽ MOLEX I/O CONNECTOR	
CIRCUIT No.	CONDUCTOR No.	CONDUCTOR No.	BRID	CIRCUIT No.	
1	16. YELLOW/BROWN	1	→	1	
2	1. WHITE	2	→	2	
3	14. BROWN/RED	3	→	3	
4	18. VIOLET	4	→	4	
5	12. RED/BLUE	5	→	5	
6	10. WHITE/YELLOW	6	→	6	
7	16. VIOLET	7	→	7	
8	13. WHITE/GREEN	8	→	8	
9	6. PINK	9	→	9	
10	7. BLUE	10	→	10	
11	5. GREY	11	→	11	
12	4. YELLOW	12	→	12	
13	9. BLACK	13	→	13	
14	11. GREY/PINK	14	→	14	
15	2. BROWN	15	→	15	
16	3. GREEN	16	→	16	
18			→		DRAIN WIRE

▽ CABLE SPECIFICATION - 16 CORE CABLE

CABLE TYPE: FLAT RIBBON ROUND OTHER

SPIRAL CABLE NO. OF CONDUCTORS YES NO

2. CABLE REQUIREMENTS: N/A

3. CONDUCTOR SPECIFICATIONS:

CONDUCTOR NO.	1 - 3	4 - 16	COLORS
CONDUCTOR	CENTRE	OUTSIDE	1. WHITE
MATERIAL	TINNED CU	TINNED CU	2. BROWN
A.B.C.	26	30	3. YELLOW
STRANDING STY/GAUGE	7/24 OR 19/30/24/2 OR 17/30		4. YELLOW
TRESSURE STRENGTH	N/A	N/A	5. PINK
INSULATION			6. PINK
MATERIAL	PVC	PVC	7. BLUE
MIN WALL THICKNESS	0.18 REF.	0.18 REF.	8. BLUE
COLOR	SEE CABLE DIAGRAM/COLOR CODE		9. WHITE/GREEN
OUTSIDE DIAMETER	1.41	0.76	10. WHITE/YELLOW
DIRECTION OF LAY	Z	S	11. YELLOW/BROWN
LENGTH OF LAY	2	5	
UL RATING	UL - 182	45 REF	

4. FILER: ENOUGH TO MAKE THE ASSEMBLY ROUND

5. SEPARATOR: POLYESTER FILM
TYPE LAY DIRECTION: BROWN SEPARATOR - Z, OUTER SEPARATOR - S.

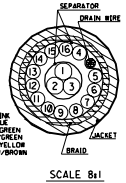
6. SHIELD: FOIL TYPE: N/A
FOIL FACING: N/A

7. DRAIN WIRE: GAUGE: 28 AWG
SPRINGING REQUIREMENT: 7.724
DRAIN TO BE ON THE OUTSIDE OF THE SEPARATOR

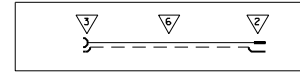
8. SPIRAL/BRAID: GAUGE: 24 x 8 x 0.1 OR 24 x 8 x 0.1
COPPER TYPE: TINNED CU
COVERAGE: 92.5

9. CABLE JACKET: TYPE: PVC (GENERAL PURPOSE EXTRUSION GRADE)
FINAL DIAMETER: 6.68 REF
MIN THICKNESS: 0.5 REF
COLOR: BLACK
FINISH: MATT
UL RATING: UL - 2827E
HANDNESS: 6173 SHD B
TO BE EASILY SLIPPED BETWEEN THUMB AND FOREFINGER
MARKINGS: *V2485-Z1303-A135-T* YEAR AND MONTH OF MANUFACTURE ACCORDING TO IEC 62 INDE 5.1.1
PRINTED IN WHITE EVERY 500.

10. PACKAGING: PACKAGING: SEE PACKAGING SPECIFICATION ESTABLISHED BY LOCAL PURCHASING AND MANUFACTURING DEPARTMENTS.



WIRING DIAGRAM - R.F. CABLE



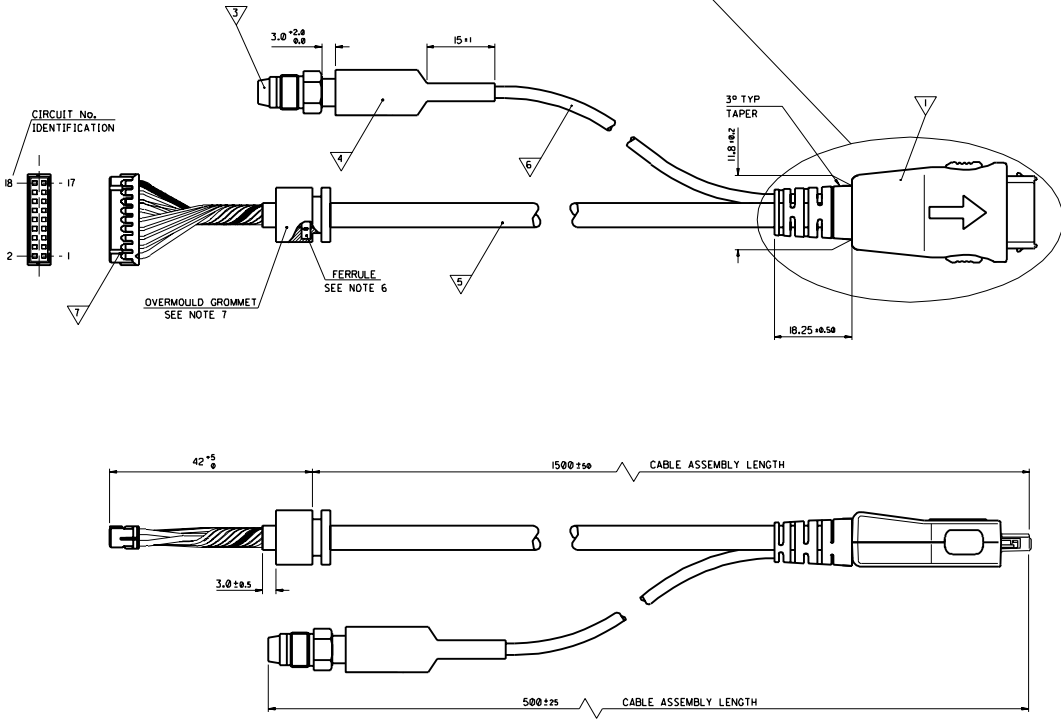
BILL OF MATERIALS

NO.	QUANTITY	SUPPLIER	DESCRIPTION	PART No.	SEE NOTE
▽ 1	1	MOLEX	16 CIRCUIT I/O MOBILE PHONE PLUG CONNECTOR	91060-0001	1, 2, 3
▽ 2	1	MOLEX	COAXIAL RF CONNECTOR	90853-0001	3
▽ 3	1	ROSENBERGER	COAXIAL RF CONNECTOR	26K101-ID2	4, 5
▽ 4	1	RAYCHEM	HEAT SHRINK TUBING	ATUM-8/2-0	
▽ 5	1	MOLEX	16 CORE CABLE	SEE CABLE SPECIFICATION	
▽ 6	1	NO PREFERRED SUPPLIERS	COAXIAL CABLE 50 OHM	RG 174 A/U	4, 5
▽ 7	1	JST	18 CIRCUIT PHD CRIMP TERMINAL, 30 AWG	PHDR-18WS	4, 5
▽ 8	13		CRIMP TERMINAL, 26 AWG	SPHD-003T-P0.5	
▽ 9	4		CRIMP TERMINAL, 26 AWG	SPHD-002T-P0.5	

NOTES:-

- MATES WITH SERIES 91052 HANDSET CONNECTOR.
- SEE PRODUCT SPECIFICATION No. PS-99020-0049.
- CABLE CONDUCTORS & RF COVERED WITH HEAT SHRINK INSULATION TUBING.
- ONLY AVAILABLE FROM MOLEX AS PART OF A CABLE ASSEMBLY.
- SUPPLIER OR CUSTOMER APPROVED EQUIVALENT.
- SEE CRIMP SPECIFICATION ES-99043-0003.
- SEE GROMMET SPECIFICATION ES-99038-0013.
- PACKAGING: SEE PACKING SPECIFICATION ES-99039-0006 AND LABELLED AS SHOWN. YEAR AND MONTH, 'XX', TO BE PRINTED ACCORDING TO IEC 62 INDE 5.1.1.
- SEE TERMINATION SPECIFICATION ES-99033-0003.

V2485I-Z1303-A135-1
XX MX1
MOLEX 91060-0135



FOR PREVIOUS DRAWING ISSUES SEE MRL.

REVISE ONLY ON CAD SYSTEM

DATE: MC

FILE: SYSTEM CONNECTOR PLUG CABLE ASSEMBLY

MOLEX EUROPE

91060-0135

SDA-91060-0135