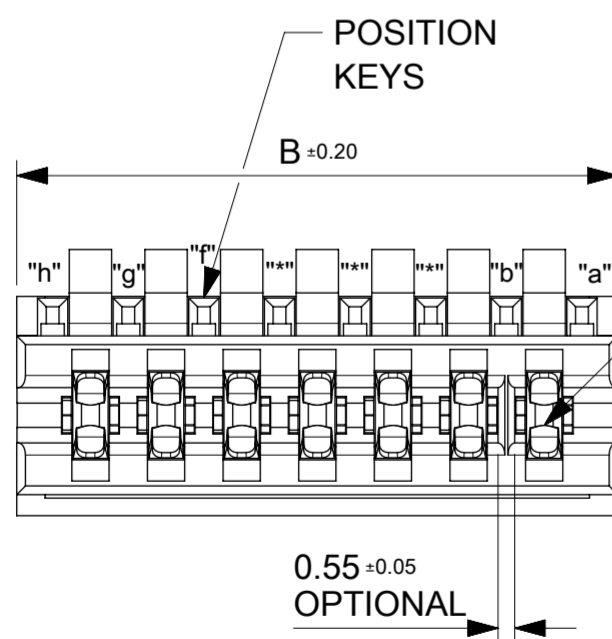
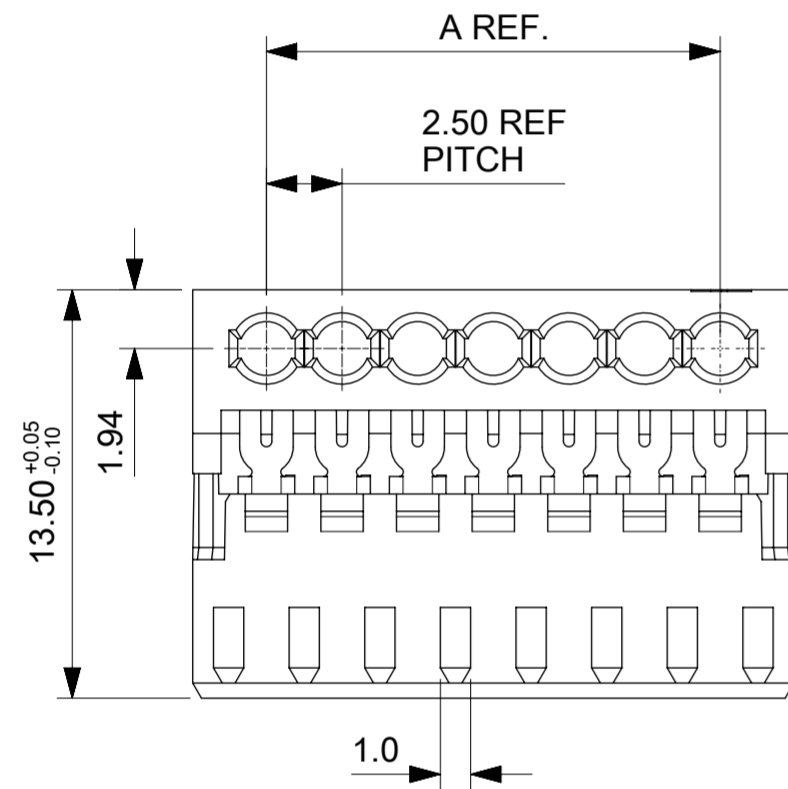
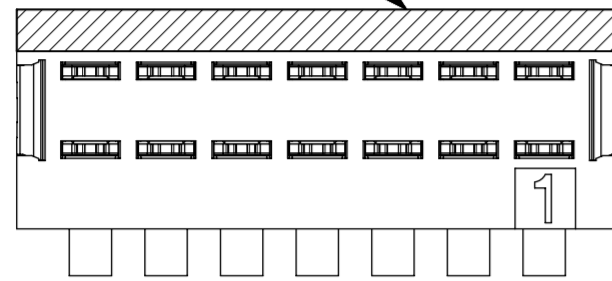
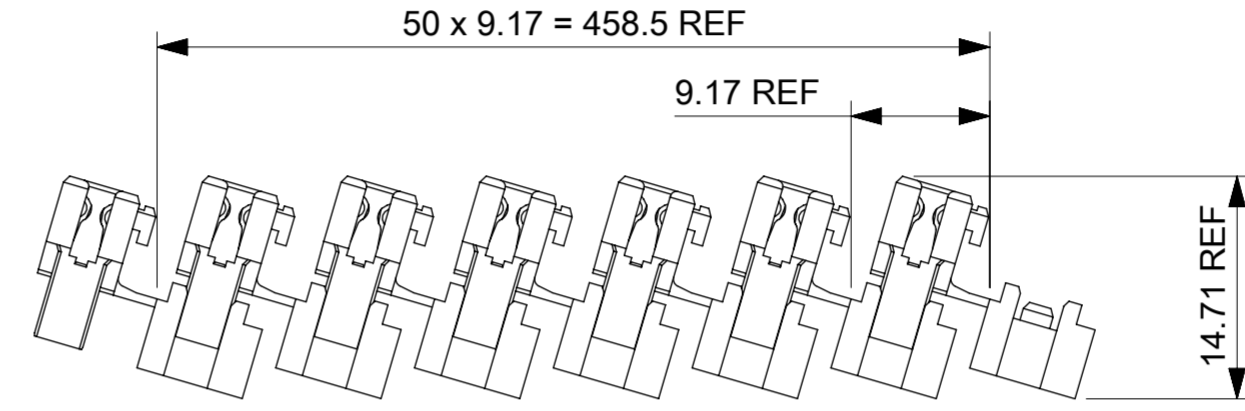
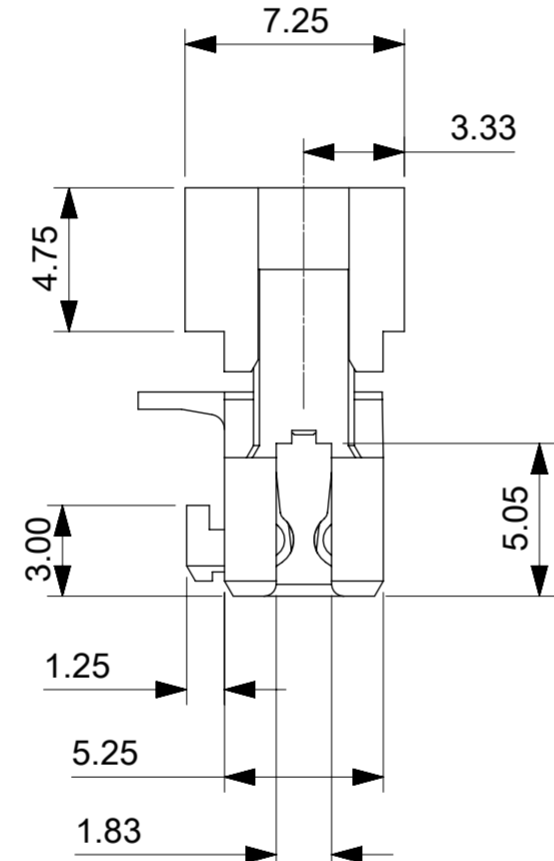


POSITION OF COLOUR STRIPE (see note 3)



CIRCUIT 1



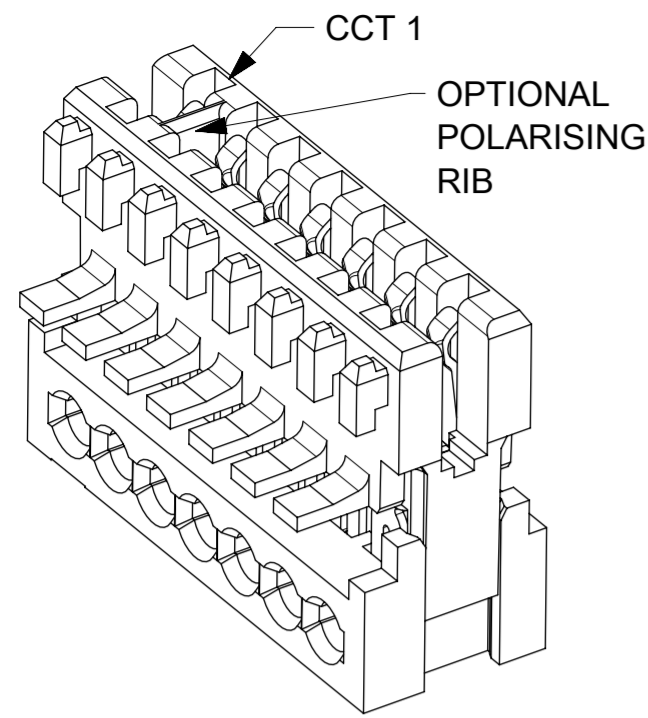
SHIPPING ARRANGEMENT

| CCT | A    | B      |
|-----|------|--------|
| 2   | 2.5  | 7.375  |
| 3   | 5    | 9.875  |
| 4   | 7.5  | 12.375 |
| 5   | 10   | 14.875 |
| 6   | 12.5 | 17.375 |
| 7   | 15   | 19.875 |
| 8   | 17.5 | 22.375 |
| 9   | 20   | 24.875 |
| 10  | 22.5 | 27.375 |
| 11  | 25   | 29.875 |
| 12  | 27.5 | 32.375 |
| 13  | 30   | 34.875 |
| 14  | 32.5 | 37.375 |
| 15  | 35   | 39.875 |
| 16  | 37.5 | 42.375 |
| 17  | 40   | 44.875 |
| 18  | 42.5 | 47.375 |
| 19  | 45   | 49.875 |
| 20  | 47.5 | 52.375 |

NOTES:

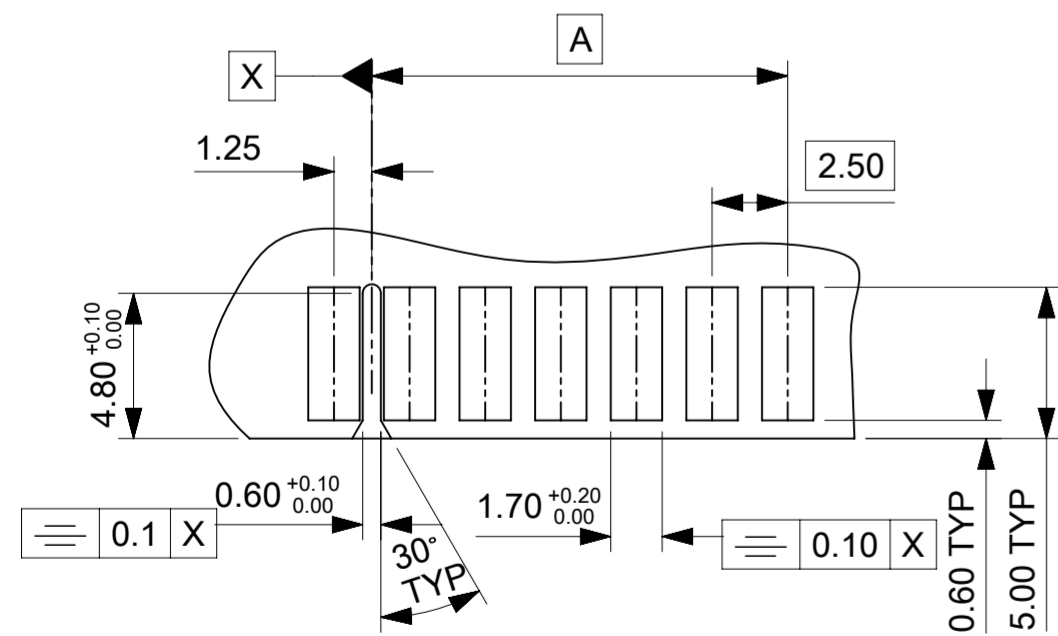
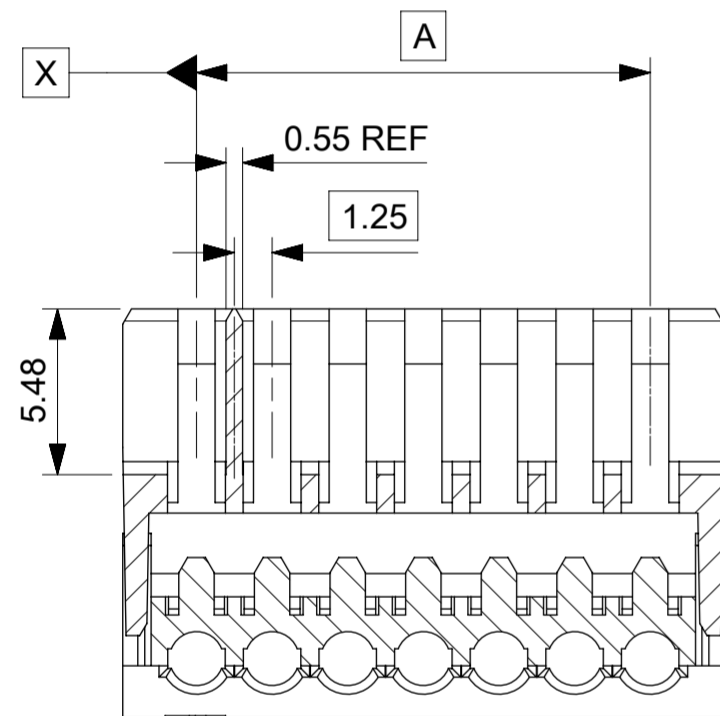
- REFER TO PRODUCT SPECIFICATION: PS-99020-0040.
- MATERIAL: HOUSING - POLYAMIDE 6 (PA6)  
UL94-V2. COLOUR NATURAL.  
TERMINAL: PHOSPHOR BRONZE 0.30 REF. THICK - PLATING  
HOT TIN DIP.
- COLOUR STRIPE IS OPTIONAL. AVAILABLE IN THE FOLLOWING COLOURS: RED, GREEN, BLUE, ORANGE, BROWN & YELLOW. (BLACK SIGNIFIES CUSTOMER SPECIFIC CONFIGURATION).
- REFER TO PACKAGING SPEC (PK-90871-001)
- REFER TO APPLICATION SPEC (990330008 AS)

|   |        |                            |  |         |  |                |  |              |  |
|---|--------|----------------------------|--|---------|--|----------------|--|--------------|--|
| THIS DRAWING CONTAINS INFORMATION THAT IS PROPRIETARY TO MOLEX ELECTRONIC TECHNOLOGIES, LLC AND SHOULD NOT BE USED WITHOUT WRITTEN PERMISSION |        |                            |  |         |  |                |  |              |  |
| DIMENSION UNITS   | SCALE  | CURRENT REV DESC:          |  |         |  |                |  |              |  |
| mm  | 4:1    |                            |  |         |  |                |  |              |  |
| GENERAL TOLERANCES (UNLESS SPECIFIED)   |        |                            |  |         | APPLI-MATE 2.5 FEMALE G.W.T. 750 VERSION |                |  |              |  |
| ANGULAR TOL   | ± 0.5° | EC NO: 675456              |  |         | PRODUCT CUSTOMER DRAWING                 |                |  |              |  |
| 4 PLACES  | ±      | DRWN: MBN02 2021/08/24     |  |         | DOCUMENT NUMBER                          |                |  |              |  |
| 3 PLACES  | ± 0.05 | CHK'D: MBN02 2021/08/26    |  |         | 930500001                                |                |  |              |  |
| 2 PLACES  | ± 0.1  | APPR: SDEVITT 2021/09/28   |  |         | DOC TYPE   DOC PART   REVISION           |                |  |              |  |
| 1 PLACE   | ± 0.2  | INITIAL REVISION:          |  |         | PSD   000   V1                           |                |  |              |  |
| 0 PLACES  | ±      | DRWN: CFISHER01 2015/11/24 |  |         | MATERIAL NUMBER                          |                |  |              |  |
| DRAFT WHERE APPLICABLE MUST REMAIN WITHIN DIMENSIONS  |        | THIRD ANGLE PROJECTION     |  | DRAWING | SERIES                                   | CUSTOMER       |  | SHEET NUMBER |  |
|   |        |                            |  | A2-SIZE | 93050                                    | GENERAL MARKET |  | 1 OF 17      |  |

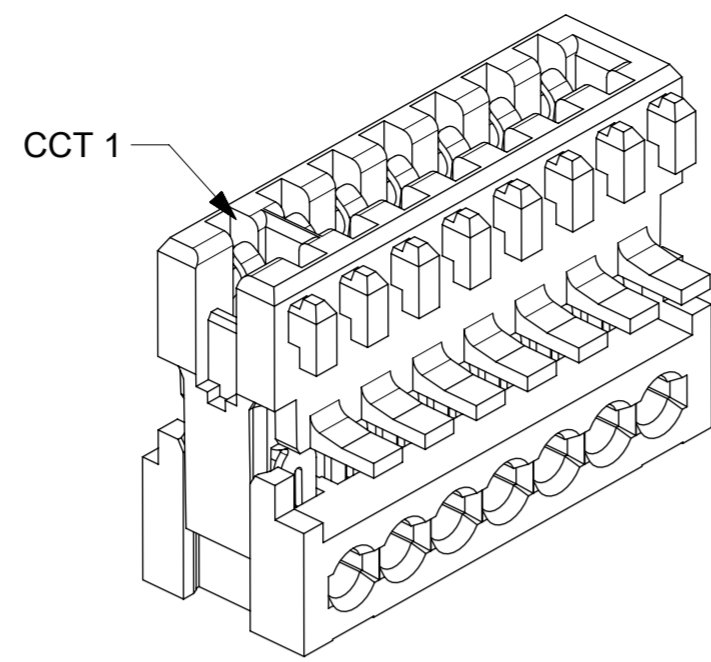


OPEN END WALL OPTION

| FIRST END WALL | LAST END WALL |
|----------------|---------------|
| OPEN           | OPEN          |

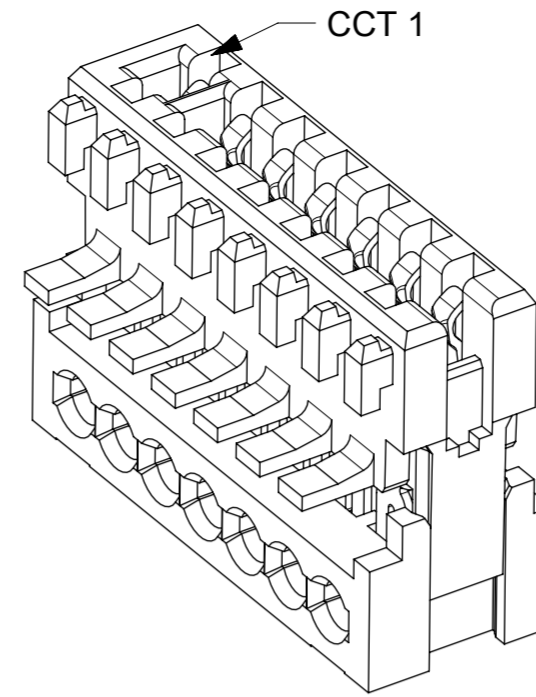
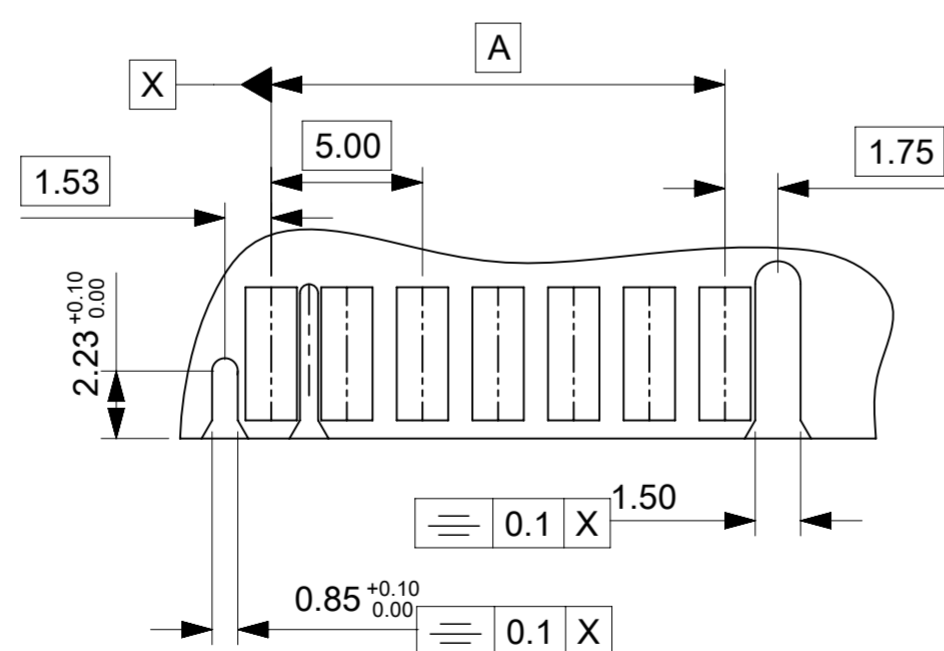
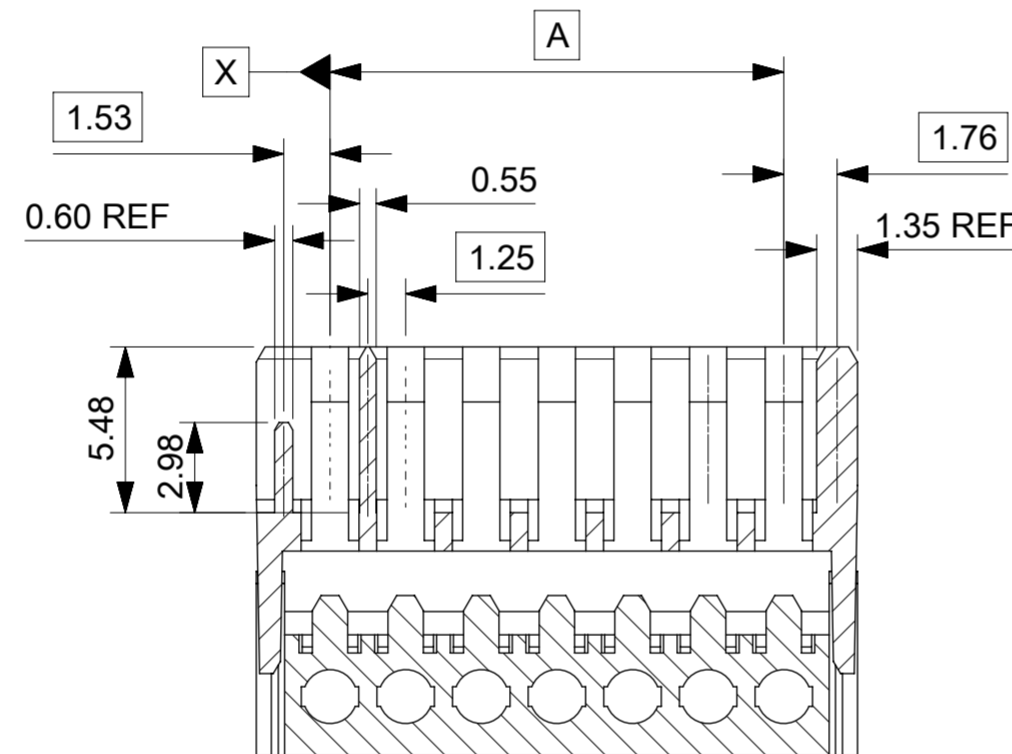


- PCB LAYOUT CCTCONNECTOR  
(WITH OPTIONAL POSITIONAL RIB SLOT BETWEEN CCT 1 & 2)  
- RECOMMENDED PCB THICKNESS 1.5 ± 0.14



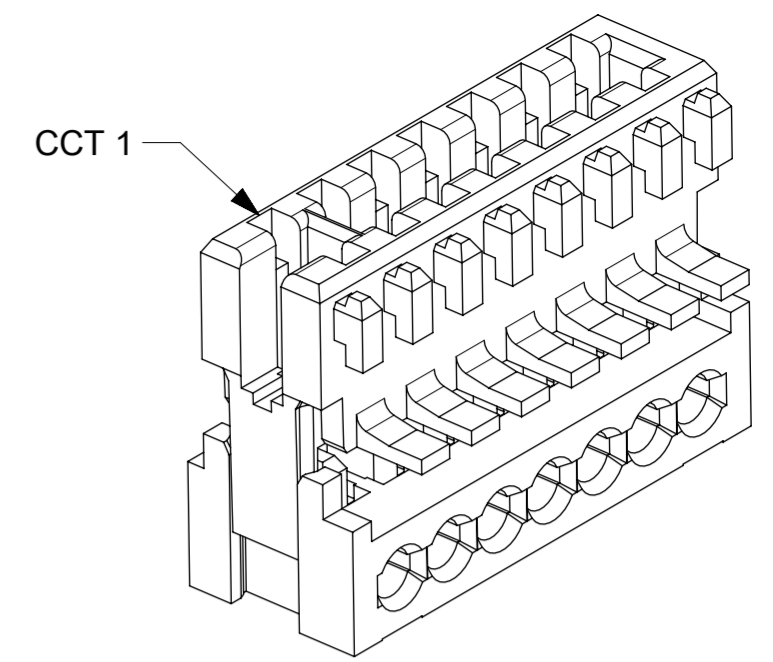
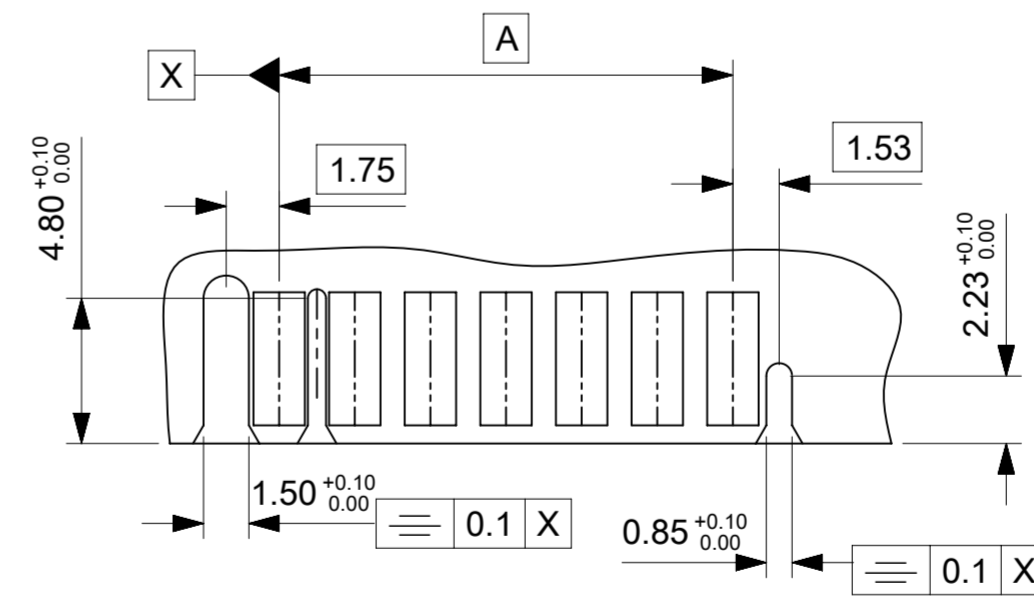
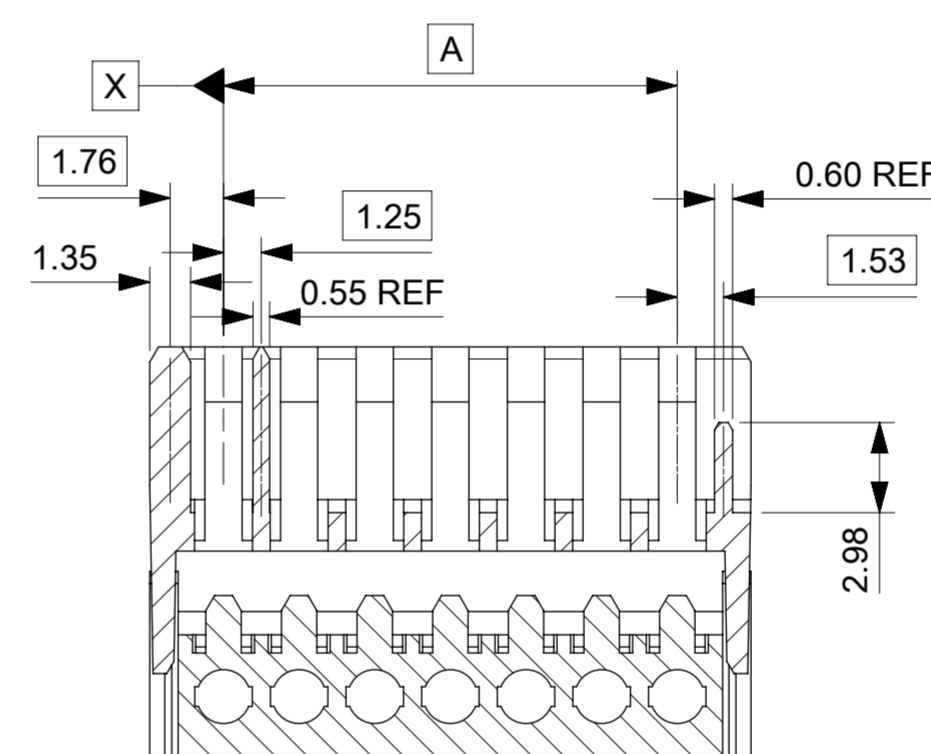
END WALL OPTION A

| FIRST END WALL | LAST END WALL |
|----------------|---------------|
| HALF           | CLOSED        |



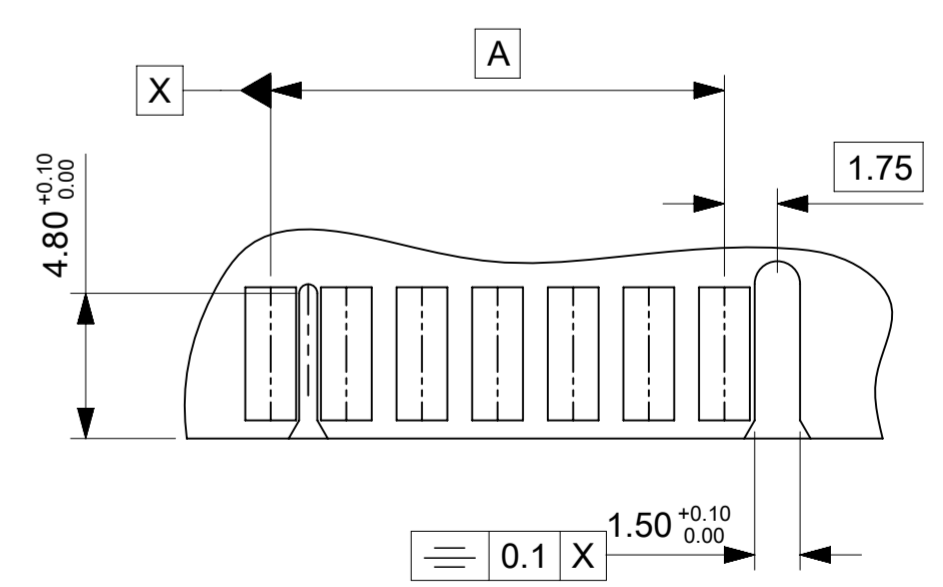
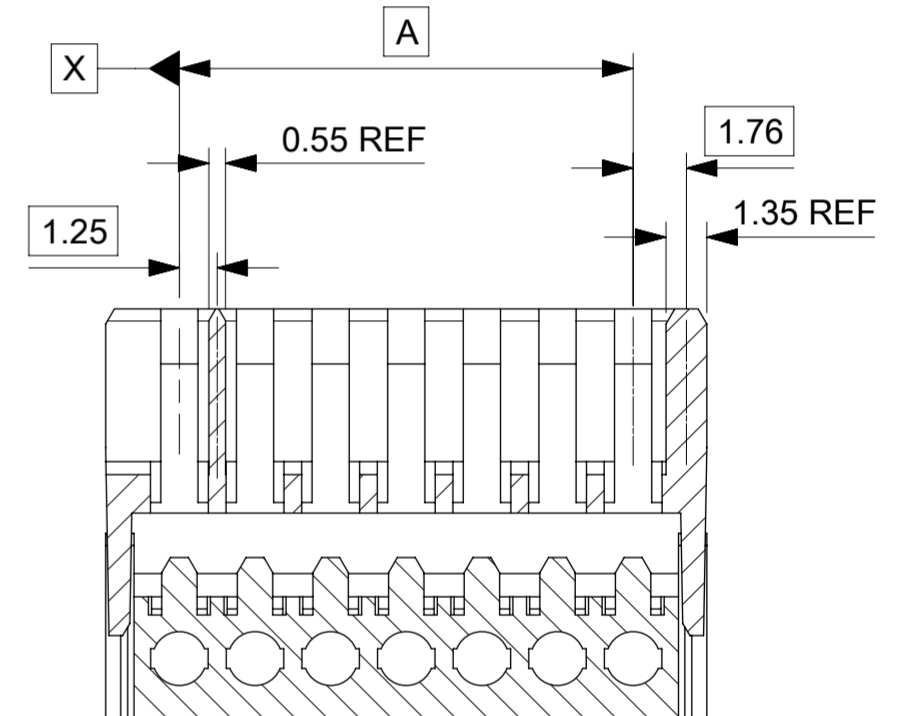
END WALL OPTION B

| FIRST END WALL | LAST END WALL |
|----------------|---------------|
| CLOSED         | HALF          |



END WALL OPTION C

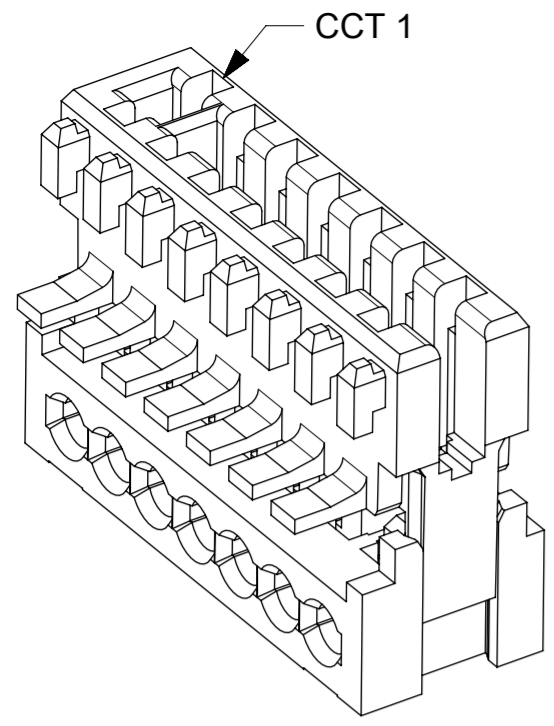
| FIRST END WALL | LAST END WALL |
|----------------|---------------|
| OPEN           | CLOSED        |



THIS DRAWING CONTAINS INFORMATION THAT IS PROPRIETARY TO MOLEX ELECTRONIC TECHNOLOGIES, LLC AND SHOULD NOT BE USED WITHOUT WRITTEN PERMISSION

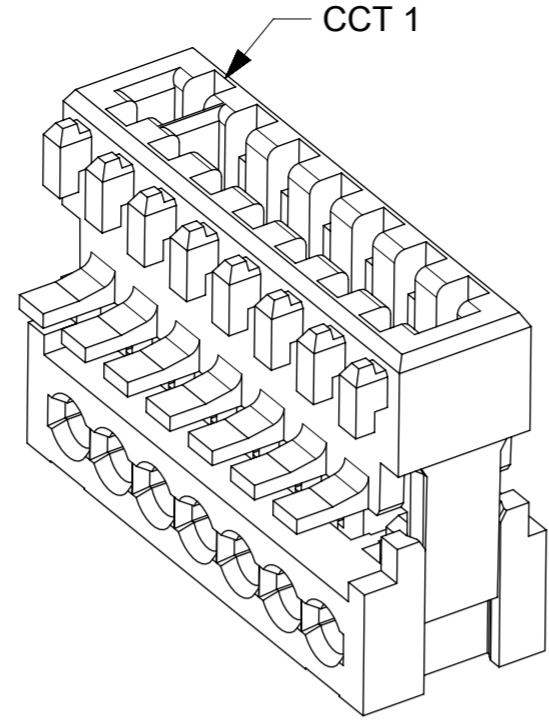
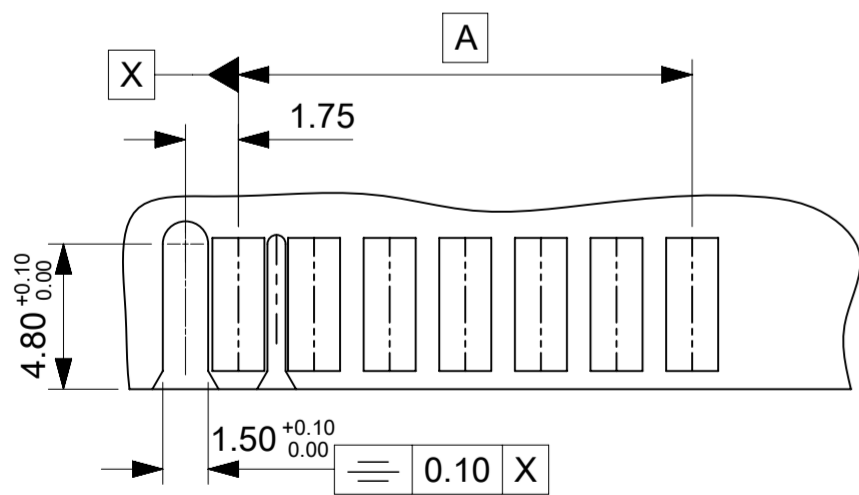
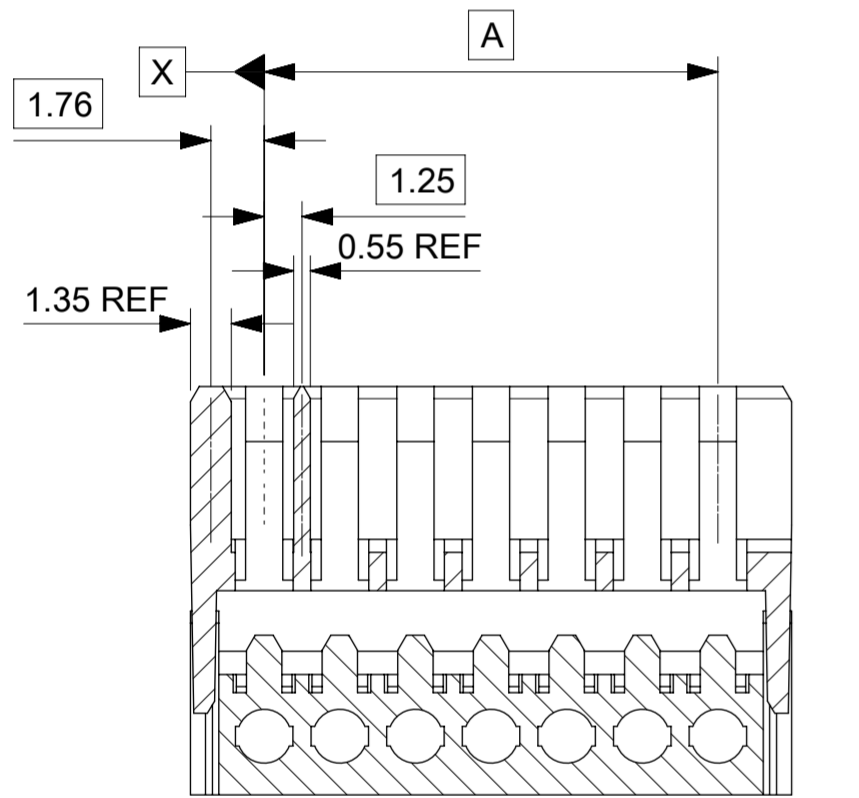
|  |                        |                            |
|--|------------------------|----------------------------|
| DIMENSION UNITS                                      | SCALE                  | CURRENT REV DESC:          |
| mm   | 4:1                    |                            |
| GENERAL TOLERANCES (UNLESS SPECIFIED)                |                        |                            |
| ANGULAR TOL  | ± 0.5°                 |                            |
| 4 PLACES   | ±                      | EC NO: 675456              |
| 3 PLACES   | ± 0.05                 | DRWN: MBN02 2021/08/24     |
| 2 PLACES   | ± 0.1                  | CHK'D: MBN02 2021/08/26    |
| 1 PLACE  | ± 0.2                  | APPR: SDEVITT 2021/09/28   |
| 0 PLACES   | ±                      | INITIAL REVISION:          |
|  |                        | DRWN: CFISHER01 2015/11/24 |
|  |                        | APPR: MSHANAHAN 2016/01/20 |
| DRAFT WHERE APPLICABLE MUST REMAIN WITHIN DIMENSIONS | THIRD ANGLE PROJECTION | DRAWING SERIES             |
|  |                        | A2-SIZE 93050              |

|  |                |              |          |
|--|----------------|--------------|----------|
| <b>molex</b>                             |                |              |          |
| APPLI-MATE 2.5 FEMALE G.W.T. 750 VERSION |                |              |          |
| PRODUCT CUSTOMER DRAWING                 |                |              |          |
| DOCUMENT NUMBER                          | DOC TYPE       | DOC PART     | REVISION |
| 930500001                                | PSD            | 000          | V1       |
| MATERIAL NUMBER                          | CUSTOMER       | SHEET NUMBER |          |
| SEE TABLE                                | GENERAL MARKET | 2 OF 17      |          |



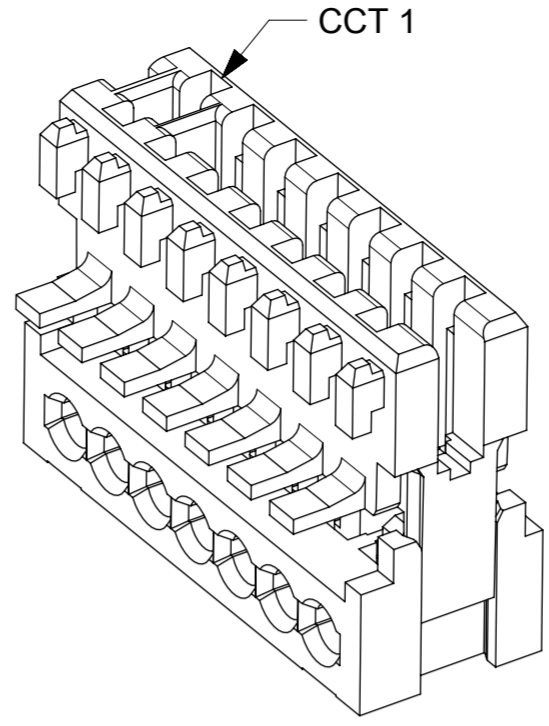
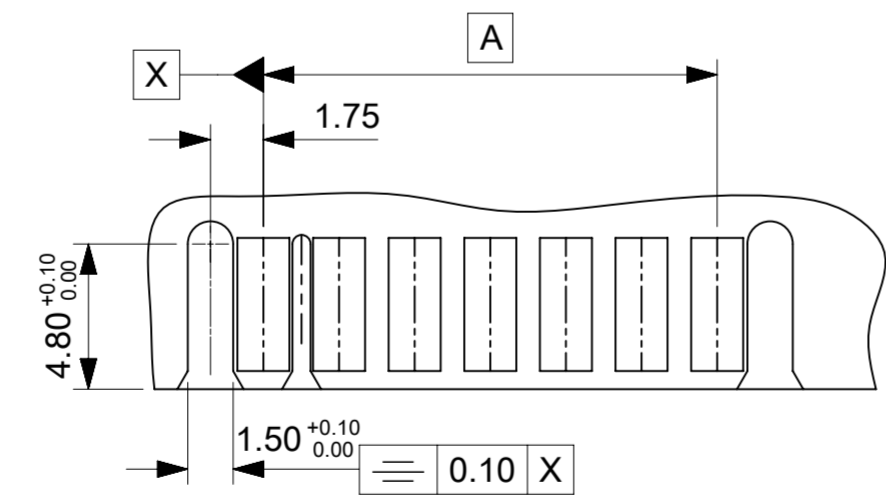
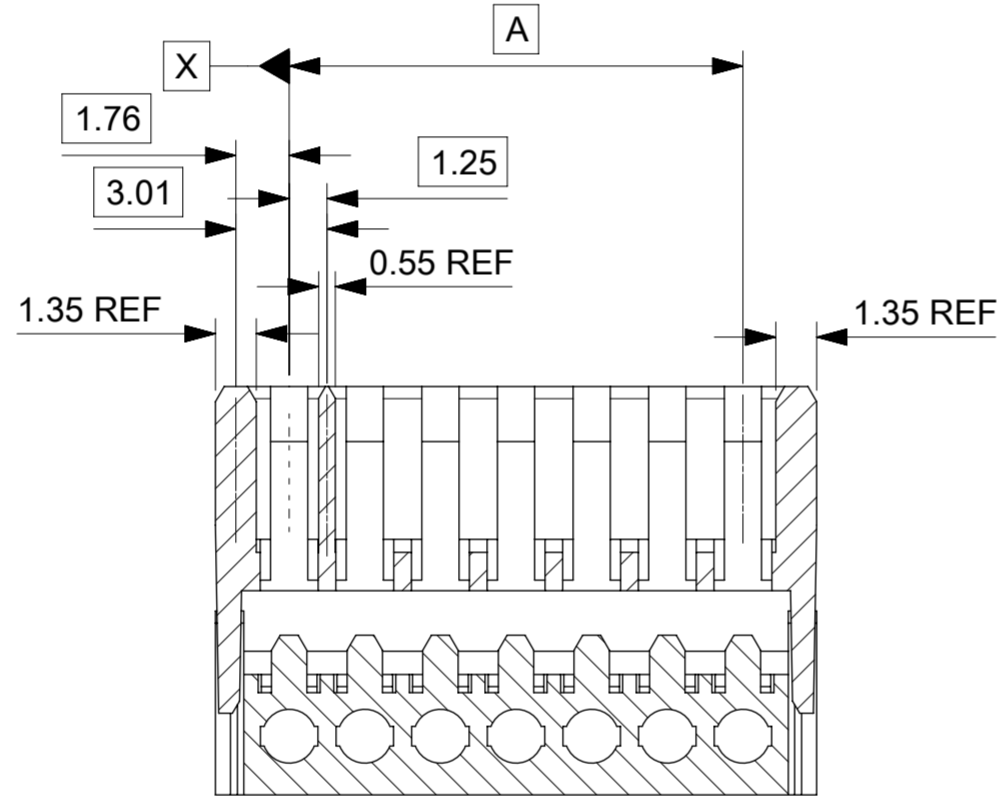
END WALL OPTION D

| FIRST END WALL | LAST END WALL |
|----------------|---------------|
| CLOSED         | OPEN          |



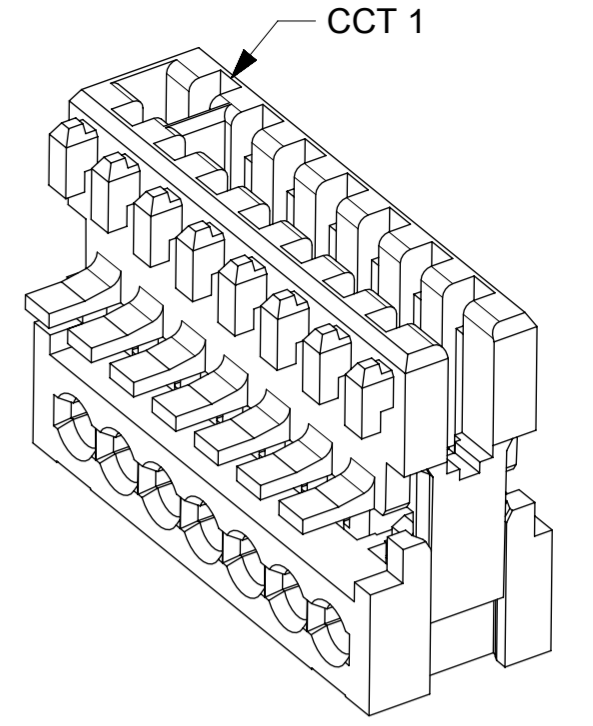
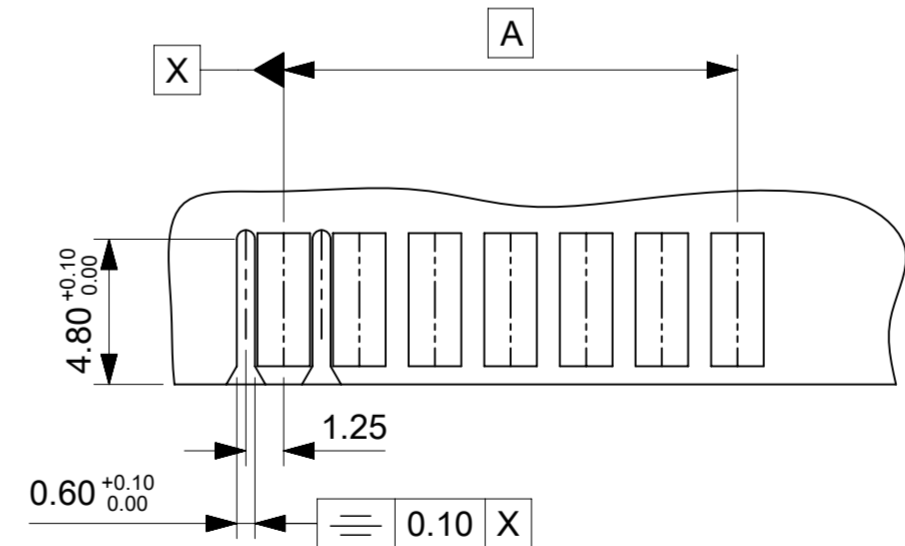
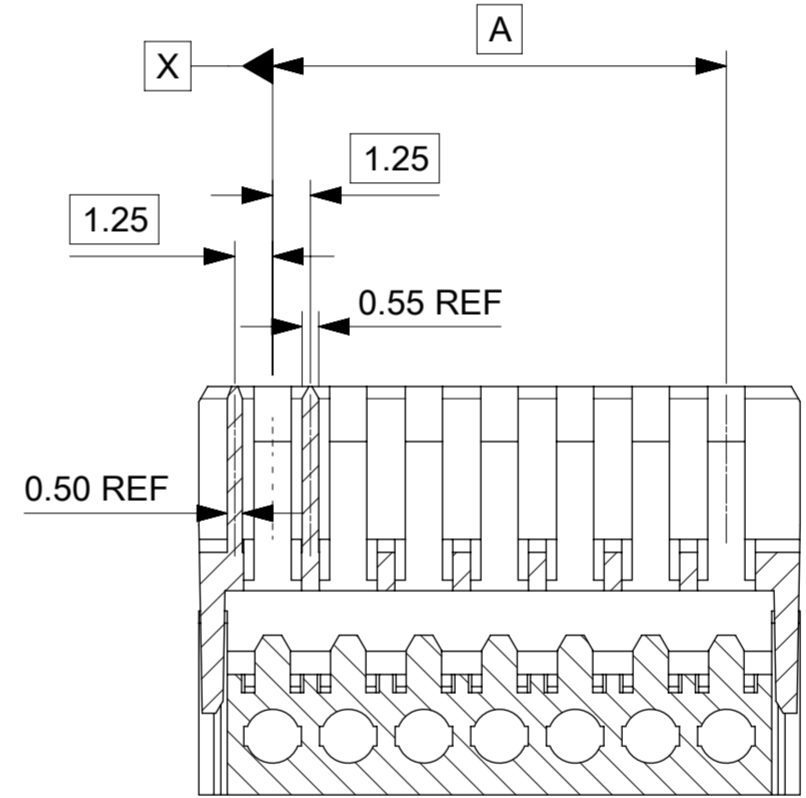
END WALL OPTION E

| FIRST END WALL | LAST END WALL |
|----------------|---------------|
| CLOSED         | CLOSED        |



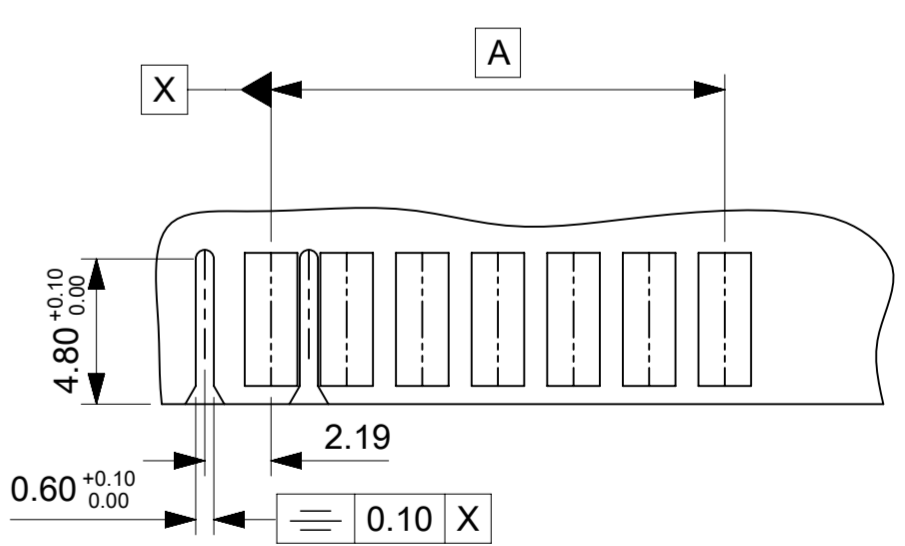
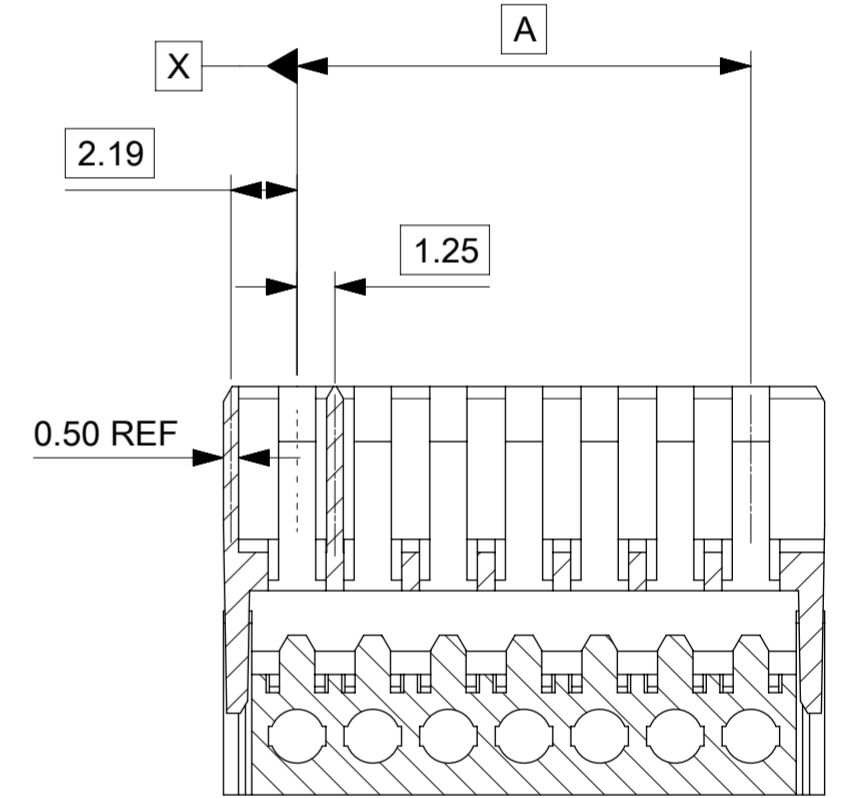
END WALL OPTION F

| FIRST END WALL | LAST END WALL |
|----------------|---------------|
| NARROW         | OPEN          |



END WALL OPTION G

| FIRST END WALL | LAST END WALL |
|----------------|---------------|
| NARROW FLUSH   | OPEN          |



THIS DRAWING CONTAINS INFORMATION THAT IS PROPRIETARY TO MOLEX ELECTRONIC TECHNOLOGIES, LLC AND SHOULD NOT BE USED WITHOUT WRITTEN PERMISSION

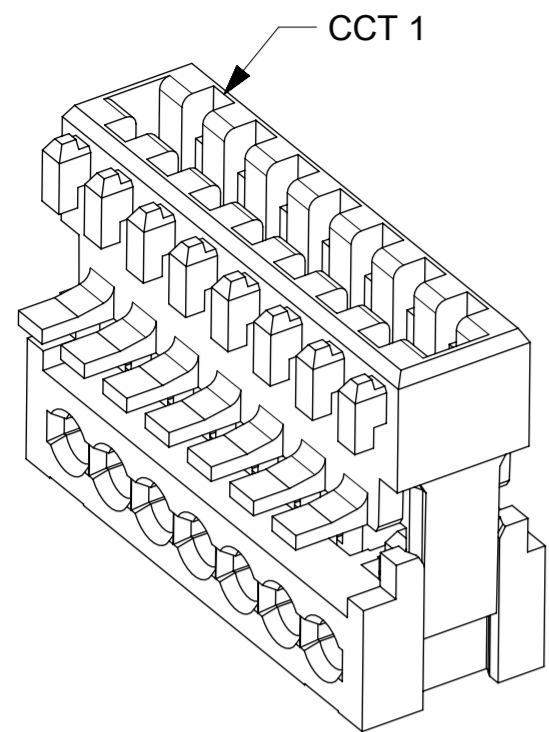
|  |              |                        |                |
|--|--------------|------------------------|----------------|
| DIMENSION UNITS                                      | SCALE        | CURRENT REV DESC:      |                |
| mm   | 4:1          |                        |                |
| GENERAL TOLERANCES (UNLESS SPECIFIED)                |              |                        |                |
| ANGULAR TOL  | ± 0.5°       | EC NO: 675456          |                |
| 4 PLACES   | ±            | DRWN: MBN02            | 2021/08/24     |
| 3 PLACES   | ± 0.05       | CHK'D: MBN02           | 2021/08/26     |
| 2 PLACES   | ± 0.1        | APPR: SDEVITT          | 2021/09/28     |
| 1 PLACE  | ± 0.2        | INITIAL REVISION:      |                |
| 0 PLACES   | ±            | DRWN: CFISHER01        | 2015/11/24     |
|  |              | APPR: MSHANAHAN        | 2016/01/20     |
| DRAFT WHERE APPLICABLE MUST REMAIN WITHIN DIMENSIONS |              | THIRD ANGLE PROJECTION | DRAWING        |
|  |              |                        | SERIES         |
|  |              | A2-SIZE                | 93050          |
| DOCUMENT STATUS                                      |              | MATERIAL NUMBER        | CUSTOMER       |
| P1   | RELEASE DATE | SEE TABLE              | GENERAL MARKET |
| 2021/09/28   | 05:26:21     | SHEET NUMBER           |                |
|  |              | 3 OF 17                |                |

**molex**

APPLI-MATE 2.5 FEMALE G.W.T. 750 VERSION

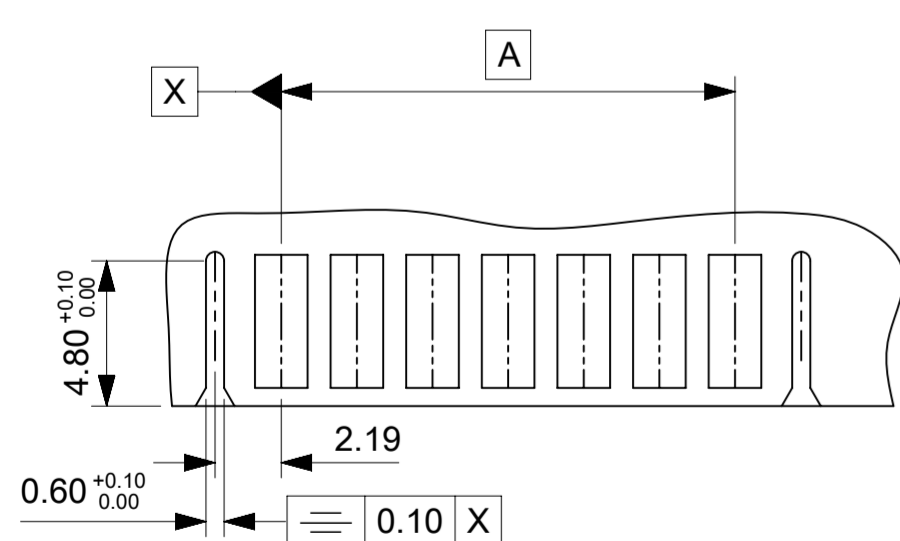
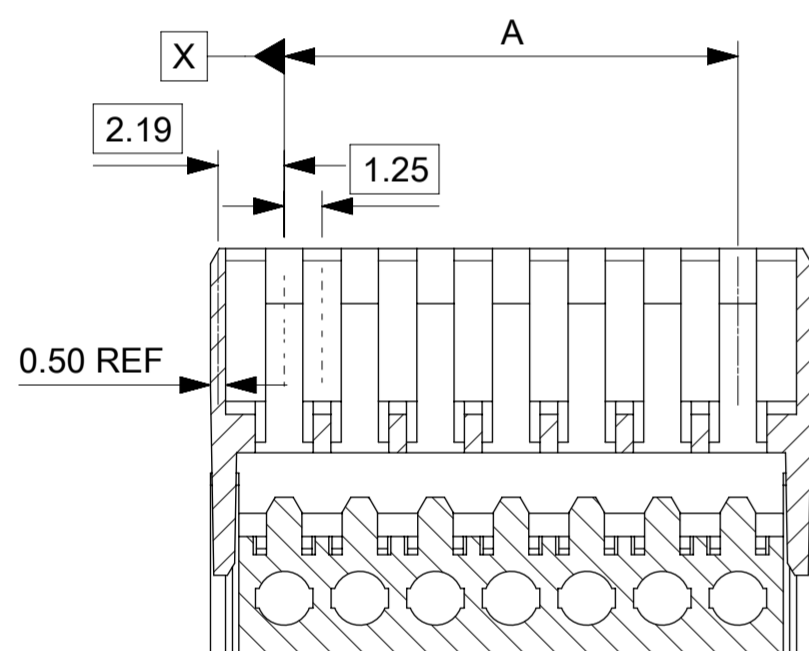
PRODUCT CUSTOMER DRAWING

| DOCUMENT NUMBER | DOC TYPE | DOC PART | REVISION |
|-----------------|----------|----------|----------|
| 930500001       | PSD      | 000      | V1       |



END WALL OPTION H


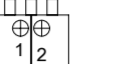
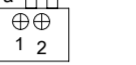
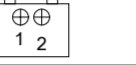
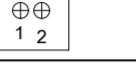

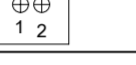
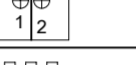
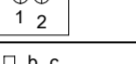
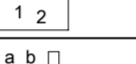
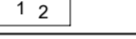
|                |               |
|----------------|---------------|
| FIRST END WALL | LAST END WALL |
| NARROW FLUSH   | NARROW FLUSH  |



THIS DRAWING CONTAINS INFORMATION THAT IS PROPRIETARY TO MOLEX ELECTRONIC TECHNOLOGIES, LLC AND SHOULD NOT BE USED WITHOUT WRITTEN PERMISSION


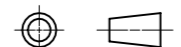
|  |                        |                   |            |  |                |              |          |          |
|--|------------------------|-------------------|------------|--|----------------|--------------|----------|----------|
| DIMENSION UNITS                                      | SCALE                  | CURRENT REV DESC: |            | <b>molex</b>                             |                |              |          |          |
| mm   | 4:1                    |                   |            |  |                |              |          |          |
| GENERAL TOLERANCES (UNLESS SPECIFIED)                |                        |                   |            | APPLI-MATE 2.5 FEMALE G.W.T. 750 VERSION |                |              |          |          |
| ANGULAR TOL  | ± 0.5°                 | EC NO: 675456     |            | PRODUCT CUSTOMER DRAWING                 |                |              |          |          |
| 4 PLACES   | ±                      | DRWN: MBN02       | 2021/08/24 |  |                |              |          |          |
| 3 PLACES   | ± 0.05                 | CHK'D: MBN02      | 2021/08/26 |  |                |              |          |          |
| 2 PLACES   | ± 0.1                  | APPR: SDEVITT     | 2021/09/28 |  |                |              |          |          |
| 1 PLACE  | ± 0.2                  | INITIAL REVISION: |            | DOCUMENT NUMBER                          |                |              |          |          |
| 0 PLACES   | ±                      | DRWN: CFISHER01   | 2015/11/24 | 930500001                                |                | DOC TYPE     | DOC PART | REVISION |
|  |                        | APPR: MSHANAHAN   | 2016/01/20 |  |                | PSD          | 000      | V1       |
| DRAFT WHERE APPLICABLE MUST REMAIN WITHIN DIMENSIONS | THIRD ANGLE PROJECTION | DRAWING           | SERIES     | MATERIAL NUMBER                          | CUSTOMER       | SHEET NUMBER |          |          |
|  |                        | A2-SIZE           | 93050      | SEE TABLE                                | GENERAL MARKET | 4 OF 17      |          |          |

|                 |    |              |            |          |
|-----------------|----|--------------|------------|----------|
| DOCUMENT STATUS | P1 | RELEASE DATE | 2021/09/28 | 05:26:21 |
|-----------------|----|--------------|------------|----------|

| 2 CIRCUIT   |              |                        |                       |   |               |              |                        |               |
|-------------|--------------|------------------------|-----------------------|---|---------------|--------------|------------------------|---------------|
| PART NUMBER | HOUSING USED | TERMINAL VOID POSITION | REMOVED POSITION KEYS | CONFIGURATION   | FIRST ENDWALL | LAST ENDWALL | POLARIZING RIB BETWEEN | COLOUR STRIPE |
| 93050-9001  | 93049-0002   | NONE                   | NONE                  |  | OPEN          | OPEN         | NONE                   | NONE          |
| 93050-9002  | 93049-0102   | NONE                   | NONE                  |  | OPEN          | OPEN         | BETWEEN CCT 1&2        | NONE          |
| 93050-9003  | 93049-0002   | NONE                   | a                     |  | OPEN          | OPEN         | NONE                   | NONE          |
| 93050-9004  | 93049-0002   | NONE                   | b                     |  | OPEN          | OPEN         | NONE                   | NONE          |
| 93050-9005  | 93049-0002   | NONE                   | c                     |  | OPEN          | OPEN         | NONE                   | NONE          |
| 93050-9006  | 93049-0002   | NONE                   | ALL                   |  | OPEN          | OPEN         | NONE                   | NONE          |
| 93050-9007  | 93049-0062   | NONE                   | NONE                  |  | CLOSED        | OPEN         | NONE                   | NONE          |
| 93050-9008  | 93049-0122   | NONE                   | NONE                  |  | CLOSED        | CLOSED       | BETWEEN CCT 1&2        | NONE          |
| 93050-9009  | 93049-0022   | NONE                   | NONE                  |  | CLOSED        | CLOSED       | NONE                   | NONE          |
| 93050-9010  | 93049-0022   | NONE                   | b c                   |  | CLOSED        | CLOSED       | NONE                   | NONE          |
| 93050-9011  | 93049-0022   | NONE                   | a b                   |  | CLOSED        | CLOSED       | NONE                   | NONE          |

NOTES

- 1. + DENOTES TERMINAL VOIDED POSITION
- ⊕ DENOTES TERMINAL LOADED POSITION
- | DENOTES POLARIZING RIB POSITION
- 2. MOLEX HOUSING NO. FOR REFERENCE ONLY

|   |        |   |         |        |   |                |  |          |          |              |
|---|--------|---|---------|--------|---|----------------|--|----------|----------|--------------|
| THIS DRAWING CONTAINS INFORMATION THAT IS PROPRIETARY TO MOLEX ELECTRONIC TECHNOLOGIES, LLC AND SHOULD NOT BE USED WITHOUT WRITTEN PERMISSION |        |   |         |        |   |                |  |          |          |              |
| DIMENSION UNITS   | SCALE  | CURRENT REV DESC:   |         |        |  |                |  |          |          |              |
| mm  | 1:1    |   |         |        |   |                |  |          |          |              |
| GENERAL TOLERANCES (UNLESS SPECIFIED)   |        | EC NO: 675456   |         |        | APPLI-MATE 2.5 FEMALE G.W.T. 750 VERSION  |                |  |          |          |              |
| ANGULAR TOL   | ± 0.5° | DRWN: MBN02 2021/08/24  |         |        |   |                |  |          |          |              |
| 4 PLACES  | ±      | CHK'D: MBN02 2021/08/26   |         |        | PRODUCT CUSTOMER DRAWING  |                |  |          |          |              |
| 3 PLACES  | ± 0.05 | APPR: SDEVITT 2021/09/28  |         |        |   |                |  |          |          |              |
| 2 PLACES  | ± 0.1  | INITIAL REVISION:   |         |        | DOCUMENT NUMBER   |                |  |          |          |              |
| 1 PLACE   | ± 0.2  | DRWN: CFISHER01 2015/11/24  |         |        |   |                |  |          |          |              |
| 0 PLACES  | ±      | APPR: MSHANAHAN 2016/01/20  |         |        | 930500001   |                |  |          |          |              |
| DRAFT WHERE APPLICABLE MUST REMAIN WITHIN DIMENSIONS  |        | THIRD ANGLE PROJECTION  | DRAWING | SERIES | MATERIAL NUMBER   | CUSTOMER       |  | DOC TYPE | DOC PART | REVISION     |
|   |        |  | A2-SIZE | 93050  | SEE TABLE   | GENERAL MARKET |  | PSD      | 000      | V1           |
|   |        |   |         |        |   |                |  |          |          | SHEET NUMBER |
|   |        |   |         |        |   |                |  |          |          | 5 OF 17      |

| 3 CIRCUIT   |              |                        |                       |               |               |              |                        |               |
|-------------|--------------|------------------------|-----------------------|---------------|---------------|--------------|------------------------|---------------|
| PART NUMBER | HOUSING USED | TERMINAL VOID POSITION | REMOVED POSITION KEYS | CONFIGURATION | FIRST ENDWALL | LAST ENDWALL | POLARIZING RIB BETWEEN | COLOUR STRIPE |
| 93050-0001  | 93049-0003   | NONE                   | NONE                  |               | OPEN          | OPEN         | NONE                   | NONE          |
| 93050-0003  | 93049-0003   | NONE                   | b d                   |               | OPEN          | OPEN         | NONE                   | NONE          |
| 93050-0005  | 93049-0003   | NONE                   | b                     |               | OPEN          | OPEN         | NONE                   | NONE          |
| 93050-0006  | 93049-0003   | NONE                   | d                     |               | OPEN          | OPEN         | NONE                   | NONE          |
| 93050-0007  | 93049-0003   | NONE                   | a c                   |               | OPEN          | OPEN         | NONE                   | NONE          |
| 93050-0008  | 93049-0003   | NONE                   | a b                   |               | OPEN          | OPEN         | NONE                   | NONE          |
| 93050-0009  | 93049-0003   | NONE                   | c d                   |               | OPEN          | OPEN         | NONE                   | NONE          |
| 93050-0012  | 93049-0103   | NONE                   | b c                   |               | OPEN          | OPEN         | BETWEEN CCT 1&2        | NONE          |
| 93050-0013  | 93049-0103   | NONE                   | a                     |               | OPEN          | OPEN         | BETWEEN CCT 1&2        | NONE          |
| 93050-0014  | 93049-0203   | NONE                   | c                     |               | OPEN          | OPEN         | BETWEEN CCT 2&3        | BLUE          |
| 93050-0016  | 93049-0103   | NONE                   | NONE                  |               | OPEN          | OPEN         | BETWEEN CCT 1&2        | NONE          |
| 93050-0018  | 93049-0003   | NONE                   | a b c                 |               | OPEN          | OPEN         | NONE                   | NONE          |
| 93050-0019  | 93049-0003   | NONE                   | c                     |               | OPEN          | OPEN         | NONE                   | NONE          |
| 93050-0020  | 93049-0003   | NONE                   | a d                   |               | OPEN          | OPEN         | NONE                   | NONE          |
| 93050-0021  | 93049-0003   | NONE                   | NONE                  |               | OPEN          | OPEN         | NONE                   | BLUE          |
| 93050-0022  | 93049-0103   | NONE                   | NONE                  |               | OPEN          | OPEN         | BETWEEN CCT 1&2        | BLUE          |
| 93050-0023  | 93049-0003   | NONE                   | b c                   |               | OPEN          | OPEN         | NONE                   | NONE          |
| 93050-0024  | 93049-0003   | NONE                   | a                     |               | OPEN          | OPEN         | NONE                   | NONE          |
| 93050-0025  | 93049-0003   | NONE                   | a d                   |               | OPEN          | OPEN         | NONE                   | RED           |
| 93050-0026  | 93049-0003   | NONE                   | c                     |               | OPEN          | OPEN         | NONE                   | RED           |
| 93050-0027  | 93049-0003   | CCT 3                  | c                     |               | OPEN          | OPEN         | NONE                   | BLUE          |
| 93050-0028  | 93049-0003   | NONE                   | b d                   |               | OPEN          | OPEN         | NONE                   | RED           |
| 93050-0029  | 93049-0003   | NONE                   | a c                   |               | OPEN          | OPEN         | NONE                   | RED           |
| 93050-0030  | 93049-0003   | CCT 1                  | NONE                  |               | OPEN          | OPEN         | NONE                   | NONE          |
| 93050-0031  | 93049-0003   | CCT 3                  | NONE                  |               | OPEN          | OPEN         | NONE                   | NONE          |
| 93050-0151  | 93049-0063   | NONE                   | NONE                  |               | CLOSED        | OPEN         | NONE                   | NONE          |
| 93050-0032  | 93049-0003   | NONE                   | NONE                  |               | OPEN          | OPEN         | NONE                   | BROWN         |
| 93050-0034  | 93049-0103   | NONE                   | NONE                  |               | OPEN          | OPEN         | BETWEEN CCT 1&2        | BLACK         |
| 93050-0351  | 93049-0223   | NONE                   | NONE                  |               | CLOSED        | CLOSED       | BETWEEN CCT 2&3        | NONE          |

| 3 CIRCUIT   |              |                        |                       |               |               |              |                        |               |
|-------------|--------------|------------------------|-----------------------|---------------|---------------|--------------|------------------------|---------------|
| PART NUMBER | HOUSING USED | TERMINAL VOID POSITION | REMOVED POSITION KEYS | CONFIGURATION | FIRST ENDWALL | LAST ENDWALL | POLARIZING RIB BETWEEN | COLOUR STRIPE |
| 93050-0152  | 93049-0063   | NONE                   | NONE                  |               | CLOSED        | OPEN         | NONE                   | BLUE          |
| 93050-0038  | 93049-0003   | CCT 3                  | NONE                  |               | OPEN          | OPEN         | NONE                   | BLACK         |
| 93050-0037  | 93049-0003   | NONE                   | b                     |               | OPEN          | OPEN         | NONE                   | BLUE          |
| 93050-0352  | 93049-0023   | NONE                   | NONE                  |               | CLOSED        | CLOSED       | NONE                   | NONE          |
| 93050-0039  | 93049-0203   | NONE                   | NONE                  |               | OPEN          | OPEN         | BETWEEN CCT 2&3        | RED           |
| 93050-0153  | 93049-0063   | NONE                   | a c                   |               | CLOSED        | OPEN         | NONE                   | NONE          |
| 93050-0154  | 93049-0063   | NONE                   | d                     |               | CLOSED        | OPEN         | NONE                   | NONE          |
| 93050-0040  | 93049-0103   | NONE                   | NONE                  |               | OPEN          | OPEN         | BETWEEN CCT 1&2        | NONE          |
| 93050-0041  | 93049-0203   | NONE                   | NONE                  |               | OPEN          | OPEN         | BETWEEN CCT 2&3        | NONE          |
| 93050-0042  | 93049-0003   | NONE                   | ALL                   |               | OPEN          | OPEN         | NONE                   | NONE          |
| 93050-0044  | 93049-0203   | NONE                   | a d                   |               | OPEN          | OPEN         | BETWEEN CCT 2&3        | BLUE          |
| 93050-0045  | 93049-0043   | NONE                   | d                     |               | OPEN          | CLOSED       | NONE                   | NONE          |
| 93050-0046  | 93049-0003   | NONE                   | a b d                 |               | OPEN          | OPEN         | NONE                   | NONE          |
| 93050-0047  | 93049-0043   | NONE                   | a d                   |               | OPEN          | CLOSED       | NONE                   | GREEN         |
| 93050-0048  | 93049-0003   | NONE                   | a d                   |               | OPEN          | OPEN         | NONE                   | BLUE          |
| 93050-0049  | 93049-0203   | NONE                   | NONE                  |               | OPEN          | OPEN         | BETWEEN CCT 2&3        | BLACK         |
| 93050-0050  | 93049-0003   | NONE                   | b c                   |               | OPEN          | OPEN         | None                   | BLUE          |
| 93050-0051  | 93049-0103   | NONE                   | ALL                   |               | OPEN          | OPEN         | BETWEEN CCT 1&2        | BLUE          |
| 93050-0052  | 93049-0083   | NONE                   | a c                   |               | NARROW        | OPEN         | NONE                   | NONE          |
| 93050-0053  | 93049-0083   | NONE                   | d                     |               | NARROW        | OPEN         | NONE                   | NONE          |
| 93050-0054  | 93049-0003   | NONE                   | NONE                  |               | OPEN          | OPEN         | NONE                   | RED           |
| 93050-0056  | 93049-0203   | NONE                   | ALL                   |               | OPEN          | OPEN         | BETWEEN CCT 2&3        | NONE          |

3CCT CONTINUED ON NEXT SHEET

NOTES

- + DENOTES TERMINAL VOIDED POSITION  
⊕ DENOTES TERMINAL LOADED POSITION  
| DENOTES POLARIZING RIB POSITION
- MOLEX HOUSING NO. FOR REFERENCE ONLY

|   |  |                        |  |   |  |                   |  |                 |  |               |  |            |  |
|---|--|------------------------|--|---|--|-------------------|--|-----------------|--|---------------|--|------------|--|
| THIS DRAWING CONTAINS INFORMATION THAT IS PROPRIETARY TO MOLEX ELECTRONIC TECHNOLOGIES, LLC AND SHOULD NOT BE USED WITHOUT WRITTEN PERMISSION |  |                        |  |   |  |                   |  |                 |  |               |  |            |  |
| DIMENSION UNITS   |  | SCALE                  |  | CURRENT REV DESC:   |  |                   |  |                 |  |               |  |            |  |
| mm  |  | 1:1                    |  | <p>APPLI-MATE 2.5 FEMALE G.W.T. 750 VERSION</p> <p>PRODUCT CUSTOMER DRAWING</p> |  |                   |  |                 |  |               |  |            |  |
| GENERAL TOLERANCES (UNLESS SPECIFIED)   |  |                        |  |   |  |                   |  |                 |  | EC NO: 675456 |  | 2021/08/24 |  |
| ANGULAR TOL   |  | ± 0.5°                 |  |   |  |                   |  |                 |  | DRWN: MBN02   |  | 2021/08/26 |  |
| 4 PLACES  |  | ±                      |  |   |  |                   |  |                 |  | CHK'D: MBN02  |  | 2021/09/28 |  |
| 3 PLACES  |  | ± 0.05                 |  | APPR: SDEVITT   |  | INITIAL REVISION: |  |                 |  |               |  |            |  |
| 2 PLACES  |  | ± 0.1                  |  | DRWN: CFISHER01   |  | 2015/11/24        |  |                 |  |               |  |            |  |
| 1 PLACE   |  | ± 0.2                  |  | APPR: MSHANAHAN   |  | 2016/01/20        |  |                 |  |               |  |            |  |
| 0 PLACES  |  | ±                      |  | DOCUMENT NUMBER   |  | DOC TYPE          |  | DOC PART        |  |               |  |            |  |
| DRAFT WHERE APPLICABLE MUST REMAIN WITHIN DIMENSIONS  |  | THIRD ANGLE PROJECTION |  | DRAWING   |  | SERIES            |  | MATERIAL NUMBER |  |               |  |            |  |
|   |  |                        |  | A2-SIZE   |  | 93050             |  | SEE TABLE       |  |               |  |            |  |
|   |  |                        |  | CUSTOMER  |  | GENERAL MARKET    |  | SHEET NUMBER    |  |               |  |            |  |
|   |  |                        |  |   |  |                   |  | 6 OF 17         |  |               |  |            |  |

| 3 CIRCUIT   |              |                        |                       |               |               |              |                        |               |
|-------------|--------------|------------------------|-----------------------|---------------|---------------|--------------|------------------------|---------------|
| PART NUMBER | HOUSING USED | TERMINAL VOID POSITION | REMOVED POSITION KEYS | CONFIGURATION | FIRST ENDWALL | LAST ENDWALL | POLARIZING RIB BETWEEN | COLOUR STRIPE |
| 93050-0057  | 93049-0123   | NONE                   | NONE                  |               | CLOSED        | CLOSED       | BETWEEN CCT 1&2        | NONE          |
| 93050-0058  | 93049-0003   | NONE                   | NONE                  |               | OPEN          | OPEN         | NONE                   | PURPLE        |
| 93050-0059  | 93049-0003   | NONE                   | NONE                  |               | OPEN          | OPEN         | NONE                   | GREEN         |
| 93050-0060  | 93049-0123   | NONE                   | NONE                  |               | CLOSED        | CLOSED       | BETWEEN CCT 1&2        | BLACK         |
| 93050-0061  | 93049-0003   | NONE                   | ALL                   |               | OPEN          | OPEN         | NONE                   | BLUE          |
| 93050-0062  | 93049-0103   | NONE                   | a d                   |               | OPEN          | OPEN         | BETWEEN CCT 1&2        | NONE          |
| 93050-0063  | 93049-0243   | NONE                   | NONE                  |               | OPEN          | CLOSED       | BETWEEN CCT 2&3        | NONE          |
| 93050-0064  | 93049-0003   | NONE                   | b c d                 |               | OPEN          | OPEN         | NONE                   | NONE          |
| 93050-0065  | 93049-0263   | NONE                   | NONE                  |               | CLOSED        | OPEN         | BETWEEN CCT 2&3        | NONE          |
| 93050-0066  | 93049-9913   | NONE                   | NONE                  |               | NARROW FLUSH  | OPEN         | BETWEEN CCT 2&3        | NONE          |
| 93050-0067  | 93049-0203   | NONE                   | d                     |               | OPEN          | OPEN         | BETWEEN CCT 2&3        | NONE          |

| 4 CIRCUIT   |              |                        |                       |               |               |              |                        |               |
|-------------|--------------|------------------------|-----------------------|---------------|---------------|--------------|------------------------|---------------|
| PART NUMBER | HOUSING USED | TERMINAL VOID POSITION | REMOVED POSITION KEYS | CONFIGURATION | FIRST ENDWALL | LAST ENDWALL | POLARIZING RIB BETWEEN | COLOUR STRIPE |
| 93050-0501  | 93049-0004   | NONE                   | NONE                  |               | OPEN          | OPEN         | NONE                   | NONE          |
| 93050-0503  | 93049-0304   | NONE                   | ALL                   |               | OPEN          | OPEN         | BETWEEN CCT 3&4        | NONE          |
| 93050-0504  | 93049-0304   | NONE                   | ALL                   |               | OPEN          | OPEN         | BETWEEN CCT 3&4        | BLUE          |
| 93050-0505  | 93049-0004   | NONE                   | c e                   |               | OPEN          | OPEN         | NONE                   | NONE          |
| 93050-0506  | 93049-0004   | NONE                   | b c                   |               | OPEN          | OPEN         | NONE                   | NONE          |
| 93050-0507  | 93049-0204   | NONE                   | NONE                  |               | OPEN          | OPEN         | BETWEEN CCT 2&3        | NONE          |
| 93050-0508  | 93049-0004   | NONE                   | a d e                 |               | OPEN          | OPEN         | NONE                   | NONE          |
| 93050-0509  | 93049-0004   | NONE                   | a c                   |               | OPEN          | OPEN         | NONE                   | NONE          |
| 93050-0751  | 93049-0064   | NONE                   | b e                   |               | CLOSED        | OPEN         | NONE                   | NONE          |
| 93050-0510  | 93049-0004   | NONE                   | b d                   |               | OPEN          | OPEN         | NONE                   | NONE          |
| 93050-0511  | 93049-0004   | NONE                   | b e                   |               | OPEN          | OPEN         | NONE                   | NONE          |
| 93050-0512  | 93049-0004   | NONE                   | NONE                  |               | OPEN          | OPEN         | NONE                   | BLUE          |
| 93050-0752  | 93049-0064   | NONE                   | NONE                  |               | CLOSED        | OPEN         | NONE                   | NONE          |
| 93050-0514  | 93049-0004   | NONE                   | c d                   |               | OPEN          | OPEN         | NONE                   | NONE          |
| 93050-0753  | 93049-0064   | NONE                   | a b d                 |               | CLOSED        | OPEN         | NONE                   | NONE          |
| 93050-0515  | 93049-0004   | NONE                   | b c                   |               | OPEN          | OPEN         | NONE                   | RED           |
| 93050-0516  | 93049-0004   | NONE                   | d                     |               | OPEN          | OPEN         | NONE                   | BLUE          |
| 93050-0517  | 93049-0004   | NONE                   | b d e                 |               | OPEN          | OPEN         | NONE                   | BLUE          |
| 93050-0518  | 93049-0004   | NONE                   | a c e                 |               | OPEN          | OPEN         | NONE                   | NONE          |
| 93050-0519  | 93049-0004   | NONE                   | a b                   |               | OPEN          | OPEN         | NONE                   | NONE          |
| 93050-0520  | 93049-0004   | NONE                   | a d                   |               | OPEN          | OPEN         | NONE                   | NONE          |
| 93050-0521  | 93049-0004   | NONE                   | a c d                 |               | OPEN          | OPEN         | NONE                   | NONE          |
| 93050-0522  | 93049-0004   | NONE                   | d e                   |               | OPEN          | OPEN         | NONE                   | NONE          |

4CCT CONTINUED ON NEXT SHEET

NOTES

- 1. + DENOTES TERMINAL VOIDED POSITION
- ⊕ DENOTES TERMINAL LOADED POSITION
- | DENOTES POLARIZING RIB POSITION
- 2. MOLEX HOUSING NO. FOR REFERENCE ONLY

|   |  |                        |  |                   |  |                 |  |  |  |
|---|--|------------------------|--|-------------------|--|-----------------|--|--|--|
| THIS DRAWING CONTAINS INFORMATION THAT IS PROPRIETARY TO MOLEX ELECTRONIC TECHNOLOGIES, LLC AND SHOULD NOT BE USED WITHOUT WRITTEN PERMISSION |  |                        |  |                   |  |                 |  |  |  |
| DIMENSION UNITS<br><b>mm</b>  |  | SCALE<br><b>1:1</b>    |  | CURRENT REV DESC: |  |                 |  | <b>molex</b>                             |  |
| GENERAL TOLERANCES (UNLESS SPECIFIED)   |  |                        |  | EC NO: 675456     |  |                 |  |  |  |
| ANGULAR TOL ± 0.5°  |  | 4 PLACES ±             |  | DRWN: MBN02       |  | 2021/08/24      |  | APPLI-MATE 2.5 FEMALE G.W.T. 750 VERSION |  |
| 2 PLACES ± 0.05   |  | 3 PLACES ± 0.1         |  | CHK'D: MBN02      |  | 2021/08/26      |  | PRODUCT CUSTOMER DRAWING                 |  |
| 1 PLACE ± 0.2   |  | 0 PLACES ±             |  | APPR: SDEVITT     |  | 2021/09/28      |  | DOCUMENT NUMBER                          |  |
| INITIAL REVISION:   |  |                        |  | DRWN: CFISHER01   |  | 2015/11/24      |  | 930500001                                |  |
| APPR: MSHANAHAN   |  |                        |  | 2016/01/20        |  | MATERIAL NUMBER |  | CUSTOMER                                 |  |
| DRAFT WHERE APPLICABLE MUST REMAIN WITHIN DIMENSIONS  |  | THIRD ANGLE PROJECTION |  | DRAWING           |  | SERIES          |  | SHEET NUMBER                             |  |
|   |  |                        |  | <b>A2-SIZE</b>    |  | <b>93050</b>    |  | <b>7 OF 17</b>                           |  |
| PSD   |  | 000                    |  | V1                |  | SEE TABLE       |  | GENERAL MARKET                           |  |

# 4 CIRCUIT

| PART NUMBER | HOUSING USED | TERMINAL VOID POSITION | REMOVED POSITION KEYS | CONFIGURATION | FIRST ENDWALL | LAST ENDWALL | POLARIZING RIB BETWEEN | COLOUR STRIPE |
|-------------|--------------|------------------------|-----------------------|---------------|---------------|--------------|------------------------|---------------|
| 93050-0523  | 93049-0044   | NONE                   | NONE                  |               | OPEN          | CLOSED       | NONE                   | NONE          |
| 93050-0525  | 93049-0004   | CCT 2                  | b c                   |               | OPEN          | OPEN         | NONE                   | NONE          |
| 93050-0526  | 93049-0004   | CCT 2                  | a d                   |               | OPEN          | OPEN         | NONE                   | NONE          |
| 93050-0527  | 93049-0004   | NONE                   | c e                   |               | OPEN          | OPEN         | NONE                   | NONE          |
| 93050-0528  | 93049-0004   | CCT 2                  | d e                   |               | OPEN          | OPEN         | NONE                   | NONE          |
| 93050-0529  | 93049-0004   | NONE                   | b c d                 |               | OPEN          | OPEN         | NONE                   | NONE          |
| 93050-0530  | 93049-0004   | NONE                   | c                     |               | OPEN          | OPEN         | NONE                   | NONE          |
| 93050-0532  | 93049-0024   | NONE                   | NONE                  |               | CLOSED        | CLOSED       | NONE                   | NONE          |
| 93050-0533  | 93049-0104   | NONE                   | NONE                  |               | OPEN          | OPEN         | BETWEEN CCT 1&2        | NONE          |
| 93050-0534  | 93049-0084   | NONE                   | NONE                  |               | NARROW        | OPEN         | NONE                   | NONE          |
| 93050-0535  | 93049-0304   | NONE                   | NONE                  |               | OPEN          | OPEN         | BETWEEN CCT 3&4        | BLACK         |
| 93050-0536  | 93049-0044   | NONE                   | b                     |               | OPEN          | CLOSED       | NONE                   | NONE          |
| 93050-0537  | 93049-0304   | NONE                   | b c e                 |               | OPEN          | OPEN         | BETWEEN CCT 3&4        | BLUE          |
| 93050-0538  | 93049-0004   | NONE                   | a b d                 |               | OPEN          | OPEN         | NONE                   | NONE          |
| 93050-0540  | 93049-0064   | NONE                   | b                     |               | CLOSED        | OPEN         | NONE                   | NONE          |
| 93050-0541  | 93049-0004   | NONE                   | b                     |               | OPEN          | OPEN         | NONE                   | NONE          |
| 93050-0542  | 93049-0304   | NONE                   | NONE                  |               | OPEN          | OPEN         | BETWEEN CCT 3&4        | NONE          |
| 93050-0543  | 93049-0064   | NONE                   | a e                   |               | CLOSED        | OPEN         | NONE                   | NONE          |
| 93050-0544  | 93049-0084   | NONE                   | a e                   |               | NARROW        | OPEN         | NONE                   | NONE          |
| 93050-0545  | 93049-9901   | NONE                   | a e                   |               | NARROW FLUSH  | OPEN         | NONE                   | NONE          |
| 93050-0546  | 93049-9901   | NONE                   | NONE                  |               | NARROW FLUSH  | OPEN         | NONE                   | NONE          |
| 93050-0547  | 93049-0004   | CCT 1,2                | NONE                  |               | OPEN          | OPEN         | NONE                   | NONE          |
| 93050-0548  | 93049-0004   | NONE                   | a c                   |               | OPEN          | OPEN         | NONE                   | RED           |
| 93050-0549  | 93049-0004   | NONE                   | NONE                  |               | OPEN          | OPEN         | NONE                   | RED           |
| 93050-0550  | 93049-0424   | NONE                   | NONE                  |               | CLOSED        | CLOSED       | BETWEEN CCT 3&4        | BLACK         |
| 93050-0551  | 93049-0004   | NONE                   | a b c                 |               | OPEN          | OPEN         | NONE                   | NONE          |
| 93050-0552  | 93049-0084   | NONE                   | NONE                  |               | NARROW        | OPEN         | NONE                   | RED           |
| 93050-0553  | 93049-0224   | NONE                   | NONE                  |               | CLOSED        | CLOSED       | BETWEEN CCT 2&3        | NONE          |

## NOTES

- + DENOTES TERMINAL VOIDED POSITION  
 ⊕ DENOTES TERMINAL LOADED POSITION  
 | DENOTES POLARIZING RIB POSITION
- MOLEX HOUSING NO. FOR REFERENCE ONLY

# 4 CIRCUIT

| PART NUMBER | HOUSING USED | TERMINAL VOID POSITION | REMOVED POSITION KEYS | CONFIGURATION | FIRST ENDWALL | LAST ENDWALL | POLARIZING RIB BETWEEN | COLOUR STRIPE |
|-------------|--------------|------------------------|-----------------------|---------------|---------------|--------------|------------------------|---------------|
| 93050-0554  | 93049-0124   | NONE                   | NONE                  |               | CLOSED        | CLOSED       | BETWEEN CCT 1&2        | NONE          |
| 93050-0555  | 93049-0004   | NONE                   | b c d                 |               | OPEN          | OPEN         | NONE                   | RED           |
| 93050-0556  | 93049-0004   | NONE                   | c d                   |               | OPEN          | OPEN         | NONE                   | BLUE          |
| 93050-0557  | 93049-0004   | NONE                   | b e                   |               | OPEN          | OPEN         | NONE                   | BLUE          |
| 93050-0558  | 93049-0004   | NONE                   | b                     |               | OPEN          | OPEN         | NONE                   | BLUE          |
| 93050-0559  | 93049-0004   | NONE                   | a e                   |               | OPEN          | OPEN         | NONE                   | NONE          |
| 93050-0560  | 93049-0004   | NONE                   | b d e                 |               | OPEN          | OPEN         | NONE                   | NONE          |
| 93050-0561  | 93049-0004   | CCT 1                  | a b                   |               | OPEN          | OPEN         | NONE                   | NONE          |
| 93050-0562  | 93049-0304   | NONE                   | NONE                  |               | OPEN          | OPEN         | 3&4                    | RED           |
| 93050-0563  | 93049-0004   | CCT 2,3                | NONE                  |               | OPEN          | OPEN         | NONE                   | NONE          |

THIS DRAWING CONTAINS INFORMATION THAT IS PROPRIETARY TO MOLEX ELECTRONIC TECHNOLOGIES, LLC AND SHOULD NOT BE USED WITHOUT WRITTEN PERMISSION

|  |        |                        |  |          |                 |                |
|--|--------|------------------------|--|----------|-----------------|----------------|
| DIMENSION UNITS                                      | SCALE  | CURRENT REV DESC:      | <b>molex</b>                             |          |                 |                |
| mm   | 1:1    |                        |  |          |                 |                |
| GENERAL TOLERANCES (UNLESS SPECIFIED)                |        |                        | APPLI-MATE 2.5 FEMALE G.W.T. 750 VERSION |          |                 |                |
| ANGULAR TOL  | ± 0.5° | EC NO: 675456          | PRODUCT CUSTOMER DRAWING                 |          |                 |                |
| 4 PLACES   | ±      | DRWN: MBN02            | DOCUMENT NUMBER                          |          |                 |                |
| 3 PLACES   | ± 0.05 | CHK'D: MBN02           | 930500001                                |          |                 |                |
| 2 PLACES   | ± 0.1  | APPR: SDEVITT          | DOC TYPE                                 | DOC PART | REVISION        |                |
| 1 PLACE  | ± 0.2  | INITIAL REVISION:      | PSD                                      | 000      | V1              |                |
| 0 PLACES   | ±      | DRWN: CFISHER01        | SHEET NUMBER                             |          |                 |                |
| DRAFT WHERE APPLICABLE MUST REMAIN WITHIN DIMENSIONS |        | THIRD ANGLE PROJECTION | DRAWING                                  | SERIES   | MATERIAL NUMBER | CUSTOMER       |
|  |        |                        | A2-SIZE                                  | 93050    | SEE TABLE       | GENERAL MARKET |
|  |        |                        |  |          |                 | 8 OF 17        |



| 5 CIRCUIT   |              |                        |                       |               |               |              |                        |               |
|-------------|--------------|------------------------|-----------------------|---------------|---------------|--------------|------------------------|---------------|
| PART NUMBER | HOUSING USED | TERMINAL VOID POSITION | REMOVED POSITION KEYS | CONFIGURATION | FIRST ENDWALL | LAST ENDWALL | POLARIZING RIB BETWEEN | COLOUR STRIPE |
| 93050-1001  | 93049-0005   | NONE                   | NONE                  |               | OPEN          | OPEN         | NONE                   | NONE          |
| 93050-1002  | 93049-0005   | NONE                   | c d e                 |               | OPEN          | OPEN         | NONE                   | NONE          |
| 93050-1003  | 93049-0205   | NONE                   | NONE                  |               | OPEN          | OPEN         | BETWEEN CCT 2&3        | NONE          |
| 93050-1004  | 93049-0005   | NONE                   | c d                   |               | OPEN          | OPEN         | NONE                   | NONE          |
| 93050-1005  | 93049-0005   | CCT 2,3,4              | e                     |               | OPEN          | OPEN         | NONE                   | NONE          |
| 93050-1006  | 93049-0005   | CCT 1,2,4              | b c d e               |               | OPEN          | OPEN         | NONE                   | NONE          |
| 93050-1007  | 93049-0005   | CCT 4                  | a f                   |               | OPEN          | OPEN         | NONE                   | NONE          |
| 93050-1008  | 93049-0005   | NONE                   | d                     |               | OPEN          | OPEN         | NONE                   | NONE          |
| 93050-1009  | 93049-0005   | CCT 2,4                | NONE                  |               | OPEN          | OPEN         | NONE                   | NONE          |
| 93050-1010  | 93049-0005   | NONE                   | ALL                   |               | OPEN          | OPEN         | NONE                   | NONE          |
| 93050-1011  | 93049-0005   | CCT 1,2,4              | NONE                  |               | OPEN          | OPEN         | NONE                   | NONE          |
| 93050-1012  | 93049-0005   | CCT 2,3,4              | NONE                  |               | OPEN          | OPEN         | NONE                   | NONE          |
| 93050-1013  | 93049-0005   | NONE                   | a                     |               | OPEN          | OPEN         | NONE                   | NONE          |
| 93050-1014  | 93049-0105   | NONE                   | NONE                  |               | OPEN          | OPEN         | BETWEEN CCT 1&2        | NONE          |
| 93050-1016  | 93049-0005   | CCT 4                  | NONE                  |               | OPEN          | OPEN         | NONE                   | NONE          |
| 93050-1017  | 93049-0005   | NONE                   | a b d e f             |               | OPEN          | OPEN         | NONE                   | NONE          |
| 93050-1018  | 93049-0005   | NONE                   | b c d                 |               | OPEN          | OPEN         | NONE                   | NONE          |
| 93050-1019  | 93049-0005   | CCT 1,2,4              | a b c d e f           |               | OPEN          | OPEN         | NONE                   | BLUE          |
| 93050-1020  | 93049-0005   | CCT 2,3,4              | a b c d e f           |               | OPEN          | OPEN         | NONE                   | NONE          |
| 93050-1021  | 93049-0005   | CCT 1,2,4              | a d e f               |               | OPEN          | OPEN         | NONE                   | NONE          |
| 93050-1022  | 93049-0005   | CCT 4,5                | NONE                  |               | OPEN          | OPEN         | NONE                   | NONE          |
| 93050-1023  | 93049-0005   | CCT 5                  | NONE                  |               | OPEN          | OPEN         | NONE                   | NONE          |
| 93050-1024  | 93049-0305   | NONE                   | NONE                  |               | OPEN          | OPEN         | BETWEEN CCT 3&4        | BLUE          |
| 93050-1025  | 93049-0005   | CCT 2,4                | NONE                  |               | OPEN          | OPEN         | NONE                   | GREEN         |
| 93050-1026  | 93049-0005   | CCT 2,3,4              | a b c e f             |               | OPEN          | OPEN         | NONE                   | NONE          |
| 93050-1027  | 93049-0005   | NONE                   | b c d e               |               | OPEN          | OPEN         | NONE                   | NONE          |
| 93050-1028  | 93049-0305   | NONE                   | NONE                  |               | OPEN          | OPEN         | BETWEEN CCT 3&4        | GREEN         |
| 93050-1029  | 93049-0105   | NONE                   | ALL                   |               | OPEN          | OPEN         | BETWEEN CCT 1&2        | NONE          |
| 93050-1030  | 93049-0005   | CCT 4                  | c d e                 |               | OPEN          | OPEN         | NONE                   | NONE          |

| 5 CIRCUIT   |              |                        |                       |               |               |              |                        |               |
|-------------|--------------|------------------------|-----------------------|---------------|---------------|--------------|------------------------|---------------|
| PART NUMBER | HOUSING USED | TERMINAL VOID POSITION | REMOVED POSITION KEYS | CONFIGURATION | FIRST ENDWALL | LAST ENDWALL | POLARIZING RIB BETWEEN | COLOUR STRIPE |
| 93050-1031  | 93049-0005   | CCT 2,3,4              | a d e f               |               | OPEN          | OPEN         | NONE                   | NONE          |
| 93050-1032  | 93049-0405   | NONE                   | NONE                  |               | OPEN          | OPEN         | BETWEEN CCT 4&5        | BROWN         |
| 93050-1033  | 93049-0005   | CCT 2,3,4              | a b d e f             |               | OPEN          | OPEN         | NONE                   | NONE          |
| 93050-1034  | 93049-0005   | CCT 2,3,4              | b                     |               | OPEN          | OPEN         | NONE                   | NONE          |
| 93050-1035  | 93049-0005   | NONE                   | a b d e               |               | OPEN          | OPEN         | NONE                   | NONE          |
| 93050-1036  | 93049-0405   | NONE                   | a c f                 |               | OPEN          | OPEN         | BETWEEN CCT 4&5        | NONE          |
| 93050-1037  | 93049-0005   | NONE                   | b e                   |               | OPEN          | OPEN         | NONE                   | RED           |
| 93050-1038  | 93049-0005   | NONE                   | NONE                  |               | OPEN          | OPEN         | NONE                   | RED           |
| 93050-1039  | 93049-0005   | NONE                   | a f                   |               | OPEN          | OPEN         | NONE                   | NONE          |
| 93050-1040  | 93049-0405   | NONE                   | NONE                  |               | OPEN          | OPEN         | BETWEEN CCT 4&5        | NONE          |
| 93050-1041  | 93049-0025   | NONE                   | NONE                  |               | CLOSED        | CLOSED       | NONE                   | NONE          |
| 93050-1042  | 93049-0005   | NONE                   | a c f                 |               | OPEN          | OPEN         | NONE                   | NONE          |
| 93050-1043  | 93049-0005   | NONE                   | b d e                 |               | OPEN          | OPEN         | NONE                   | NONE          |
| 93050-1044  | 93049-0005   | NONE                   | b d                   |               | OPEN          | OPEN         | NONE                   | NONE          |
| 93050-1045  | 93049-0005   | NONE                   | a d e                 |               | OPEN          | OPEN         | NONE                   | NONE          |
| 93050-1046  | 93049-0005   | NONE                   | a d f                 |               | OPEN          | OPEN         | NONE                   | RED           |
| 93050-1047  | 93049-9902   | NONE                   | NONE                  |               | NARROW FLUSH  | NARROW FLUSH | NONE                   | NONE          |
| 93050-1048  | 93049-0005   | CCT 2,3,4              | c d f                 |               | OPEN          | OPEN         | NONE                   | NONE          |
| 93050-1049  | 93049-0005   | CCT 2,3,4              | a b c                 |               | OPEN          | OPEN         | NONE                   | NONE          |
| 93050-1050  | 93049-0005   | NONE                   | a d e f               |               | OPEN          | OPEN         | NONE                   | NONE          |
| 93050-1051  | 93049-0005   | NONE                   | a c d e               |               | OPEN          | OPEN         | NONE                   | NONE          |
| 93050-1052  | 93049-0005   | NONE                   | NONE                  |               | OPEN          | OPEN         | NONE                   | BLACK         |
| 93050-1053  | 93049-0405   | NONE                   | NONE                  |               | OPEN          | OPEN         | BETWEEN CCT 4&5        | BLUE          |
| 93050-1054  | 93049-0125   | NONE                   | NONE                  |               | CLOSED        | CLOSED       | BETWEEN CCT 1&2        | NONE          |

5CCT CONTINUED ON NEXT SHEET

NOTES

- + DENOTES TERMINAL VOIDED POSITION  
⊕ DENOTES TERMINAL LOADED POSITION  
| DENOTES POLARIZING RIB POSITION
- MOLEX HOUSING NO. FOR REFERENCE ONLY

|   |  |           |  |   |  |                 |  |                                |  |
|---|--|-----------|--|---|--|-----------------|--|--------------------------------|--|
| THIS DRAWING CONTAINS INFORMATION THAT IS PROPRIETARY TO MOLEX ELECTRONIC TECHNOLOGIES, LLC AND SHOULD NOT BE USED WITHOUT WRITTEN PERMISSION |  |           |  |   |  |                 |  |                                |  |
| DIMENSION UNITS   |  | SCALE     |  | CURRENT REV DESC:   |  |                 |  |                                |  |
| mm  |  | 1:1       |  |   |  |                 |  |                                |  |
| GENERAL TOLERANCES (UNLESS SPECIFIED)   |  |           |  | <p>EC NO: 675456<br/> DRWN: MBN02<br/> CHK'D: MBN02<br/> APPR: SDEVITT</p> <p>INITIAL REVISION:<br/> DRWN: CFISHER01<br/> APPR: MSHANAHAN</p> |  |                 |  |                                |  |
| ANGULAR TOL   |  | ± 0.5°    |  |   |  |                 |  |                                |  |
| 4 PLACES  |  | ±         |  |   |  |                 |  |                                |  |
| 3 PLACES  |  | ± 0.05    |  |   |  |                 |  |                                |  |
| 2 PLACES  |  | ± 0.1     |  |   |  |                 |  |                                |  |
| 1 PLACE   |  | ± 0.2     |  | 2021/08/24  |  | 2021/08/26      |  | 2021/09/28                     |  |
| DRAFT WHERE APPLICABLE MUST REMAIN WITHIN DIMENSIONS  |  |           |  | THIRD ANGLE PROJECTION  |  | DRAWING         |  | SERIES                         |  |
|   |  | A2-SIZE   |  | 93050   |  | MATERIAL NUMBER |  | CUSTOMER                       |  |
|   |  | SEE TABLE |  | GENERAL MARKET  |  | DOCUMENT NUMBER |  | DOC TYPE   DOC PART   REVISION |  |
|   |  |           |  | 930500001   |  | PSD             |  | 000   V1                       |  |
|   |  |           |  |   |  |                 |  | SHEET NUMBER                   |  |
|   |  |           |  |   |  |                 |  | 9 OF 17                        |  |



APPLI-MATE 2.5 FEMALE G.W.T. 750 VERSION

PRODUCT CUSTOMER DRAWING

| 5 CIRCUIT   |              |                        |                       |               |               |              |                        |               |
|-------------|--------------|------------------------|-----------------------|---------------|---------------|--------------|------------------------|---------------|
| PART NUMBER | HOUSING USED | TERMINAL VOID POSITION | REMOVED POSITION KEYS | CONFIGURATION | FIRST ENDWALL | LAST ENDWALL | POLARIZING RIB BETWEEN | COLOUR STRIPE |
| 93050-1055  | 93049-0005   | CCT 2,3,4              | NONE                  |               | OPEN          | OPEN         | NONE                   | RED           |
| 93050-1056  | 93049-0005   | NONE                   | a c d                 |               | OPEN          | OPEN         | NONE                   | NONE          |
| 93050-1057  | 93049-0005   | CCT 1, 2, 3            | b c d                 |               | OPEN          | OPEN         | NONE                   | NONE          |
| 93050-1058  | 93049-0225   | NONE                   | NONE                  |               | CLOSED        | CLOSED       | 2&3                    | NONE          |
| 93050-1059  | 93049-0005   | CCT 2,3,4              | a b c                 |               | OPEN          | OPEN         | NONE                   | GREEN         |
| 93050-1060  | 93049-0005   | CCT 2,3,4              | c d f                 |               | OPEN          | OPEN         | NONE                   | BLACK         |
| 93050-1061  | 93049-0205   | NONE                   | NONE                  |               | OPEN          | OPEN         | 2&3                    | BROWN         |
| 93050-1062  | 93049-0405   | NONE                   | NONE                  |               | OPEN          | OPEN         | 4&5                    | RED           |
| 93050-1063  | 93049-0085   | NONE                   | NONE                  |               | NARROW        | OPEN         | NONE                   | NONE          |
| 93050-1064  | 94006-0005   | NONE                   | NONE                  |               | OPEN          | OPEN         | NONE                   | NONE          |
| 93050-1065  | 93049-0005   | NONE                   | a b c                 |               | OPEN          | OPEN         | NONE                   | NONE          |
| 93050-1066  | 93049-0005   | NONE                   | d e f                 |               | OPEN          | OPEN         | NONE                   | NONE          |

| 6 CIRCUIT   |              |                        |                       |               |               |              |                        |               |
|-------------|--------------|------------------------|-----------------------|---------------|---------------|--------------|------------------------|---------------|
| PART NUMBER | HOUSING USED | TERMINAL VOID POSITION | REMOVED POSITION KEYS | CONFIGURATION | FIRST ENDWALL | LAST ENDWALL | POLARIZING RIB BETWEEN | COLOUR STRIPE |
| 93050-1501  | 93049-0006   | NONE                   | NONE                  |               | OPEN          | OPEN         | NONE                   | NONE          |
| 93050-1502  | 93049-0006   | CCT 2,4                | NONE                  |               | OPEN          | OPEN         | NONE                   | NONE          |
| 93050-1503  | 93049-0006   | NONE                   | a d e f               |               | OPEN          | OPEN         | NONE                   | NONE          |
| 93050-1504  | 93049-0006   | CCT 2, 5               | b c d e g             |               | OPEN          | OPEN         | NONE                   | NONE          |
| 93050-1505  | 93049-0006   | NONE                   | b d e g               |               | OPEN          | OPEN         | NONE                   | NONE          |
| 93050-1506  | 93049-0006   | NONE                   | g                     |               | OPEN          | OPEN         | NONE                   | NONE          |
| 93050-1507  | 93049-0006   | NONE                   | b c d g               |               | OPEN          | OPEN         | NONE                   | NONE          |
| 93050-1508  | 93049-0006   | NONE                   | b c e                 |               | OPEN          | OPEN         | NONE                   | NONE          |
| 93050-1509  | 93049-0006   | NONE                   | b c d e f             |               | OPEN          | OPEN         | NONE                   | NONE          |
| 93050-1510  | 93049-0006   | CCT 3, 5               | NONE                  |               | OPEN          | OPEN         | NONE                   | NONE          |
| 93050-1511  | 93049-0006   | CCT 4                  | b c                   |               | OPEN          | OPEN         | NONE                   | NONE          |
| 93050-1512  | 93049-0006   | CCT 2,4                | b d e f               |               | OPEN          | OPEN         | NONE                   | BLUE          |
| 93050-1513  | 93049-0406   | CCT 2,4                | NONE                  |               | OPEN          | OPEN         | BETWEEN CCT 4&5        | NONE          |
| 93050-1514  | 93049-0006   | NONE                   | d e f g               |               | OPEN          | OPEN         | NONE                   | NONE          |
| 93050-1515  | 93049-0006   | NONE                   | a d                   |               | OPEN          | OPEN         | NONE                   | NONE          |
| 93050-1516  | 93049-0006   | NONE                   | b e f                 |               | OPEN          | OPEN         | NONE                   | NONE          |
| 93050-1517  | 93049-0006   | NONE                   | c d e                 |               | OPEN          | OPEN         | NONE                   | NONE          |
| 93050-1518  | 93049-0006   | CCT 1,3                | b d e g               |               | OPEN          | OPEN         | NONE                   | NONE          |
| 93050-1520  | 93049-0006   | CCT 2, 5               | c e                   |               | OPEN          | OPEN         | NONE                   | NONE          |
| 93050-1521  | 93049-0006   | NONE                   | c e                   |               | OPEN          | OPEN         | NONE                   | NONE          |
| 93050-1522  | 93049-0006   | NONE                   | d e                   |               | OPEN          | OPEN         | NONE                   | NONE          |
| 93050-1523  | 93049-0006   | NONE                   | b d                   |               | OPEN          | OPEN         | NONE                   | NONE          |
| 93050-1524  | 93049-0006   | NONE                   | a c                   |               | OPEN          | OPEN         | NONE                   | NONE          |
| 93050-1525  | 93049-0006   | CCT 2, 5               | NONE                  |               | OPEN          | OPEN         | NONE                   | RED           |

6CCT CONTINUED ON NEXT SHEET

NOTES

- + DENOTES TERMINAL VOIDED POSITION  
⊕ DENOTES TERMINAL LOADED POSITION  
| DENOTES POLARIZING RIB POSITION
- MOLEX HOUSING NO. FOR REFERENCE ONLY

|   |  |                     |  |                        |  |                |  |  |  |
|---|--|---------------------|--|------------------------|--|----------------|--|--|--|
| THIS DRAWING CONTAINS INFORMATION THAT IS PROPRIETARY TO MOLEX ELECTRONIC TECHNOLOGIES, LLC AND SHOULD NOT BE USED WITHOUT WRITTEN PERMISSION |  |                     |  |                        |  |                |  |  |  |
| DIMENSION UNITS<br><b>mm</b>  |  | SCALE<br><b>1:1</b> |  | CURRENT REV DESC:      |  |                |  |  |  |
| GENERAL TOLERANCES (UNLESS SPECIFIED)   |  |                     |  | EC NO: 675456          |  |                |  |  |  |
| ANGULAR TOL ± 0.5°  |  | 4 PLACES ±          |  | DRWN: MBN02            |  | 2021/08/24     |  | APPLI-MATE 2.5 FEMALE G.W.T. 750 VERSION |  |
| 3 PLACES ± 0.05   |  | 2 PLACES ± 0.1      |  | CHK'D: MBN02           |  | 2021/08/26     |  | PRODUCT CUSTOMER DRAWING                 |  |
| 1 PLACE ± 0.2   |  | 0 PLACES ±          |  | APPR: SDEVITT          |  | 2021/09/28     |  | DOCUMENT NUMBER                          |  |
| INITIAL REVISION:   |  |                     |  | DRWN: CFISHER01        |  | 2015/11/24     |  | 930500001                                |  |
| DRAFT WHERE APPLICABLE MUST DIMENSIONS WITHIN DIMENSIONS  |  |                     |  | THIRD ANGLE PROJECTION |  | DRAWING        |  | DOC TYPE   DOC PART   REVISION           |  |
| A2-SIZE   |  | SERIES              |  | MATERIAL NUMBER        |  | CUSTOMER       |  | SHEET NUMBER                             |  |
| A2-SIZE   |  | 93050               |  | SEE TABLE              |  | GENERAL MARKET |  | 10 OF 17                                 |  |

| 6 CIRCUIT   |                       |                        |                       |               |               |              |                        |               |
|-------------|-----------------------|------------------------|-----------------------|---------------|---------------|--------------|------------------------|---------------|
| PART NUMBER | HOUSING USED          | TERMINAL VOID POSITION | REMOVED POSITION KEYS | CONFIGURATION | FIRST ENDWALL | LAST ENDWALL | POLARIZING RIB BETWEEN | COLOUR STRIPE |
| 93050-1526  | 93049-0006            | NONE                   | c d                   |               | OPEN          | OPEN         | NONE                   | NONE          |
| 93050-1527  | 93049-0006            | CCT 1,2,3,4            | NONE                  |               | OPEN          | OPEN         | NONE                   | NONE          |
| 93050-1528  | 93049-0006            | NONE                   | c e f g               |               | OPEN          | OPEN         | NONE                   | NONE          |
| 93050-1529  | 93049-0006            | NONE                   | f                     |               | OPEN          | OPEN         | NONE                   | NONE          |
| 93050-1531  | 93049-0006            | CCT 2, 5               | b d                   |               | OPEN          | OPEN         | NONE                   | NONE          |
| 93050-1532  | 93049-0006            | CCT 2,4                | d e                   |               | OPEN          | OPEN         | NONE                   | NONE          |
| 93050-1533  | 93049-1426            | NONE                   | NONE                  |               | CLOSED        | CLOSED       | BETWEEN CCT 1&2 2&3    | NONE          |
| 93050-1534  | 93049-0106            | NONE                   | NONE                  |               | OPEN          | OPEN         | BETWEEN CCT 1&2        | BLACK         |
| 93050-1535  | 93049-0226            | NONE                   | ALL                   |               | CLOSED        | CLOSED       | BETWEEN CCT 2&3        | NONE          |
| 93050-1536  | 93049-0526            | NONE                   | NONE                  |               | CLOSED        | CLOSED       | BETWEEN CCT 5&6        | NONE          |
| 93050-1538  | 93049-0006            | NONE                   | e f                   |               | OPEN          | OPEN         | NONE                   | NONE          |
| 93050-1539  | 93049-0006            | CCT 3, 5               | NONE                  |               | OPEN          | OPEN         | NONE                   | BLUE          |
| 93050-1540  | 93049-0006            | CCT 2,4                | a b f g               |               | OPEN          | OPEN         | NONE                   | BLUE          |
| 93050-1541  | 93049-0006            | CCT 1,2,3,4            | a b f g               |               | OPEN          | OPEN         | NONE                   | NONE          |
| 93050-1542  | 93049-0006            | CCT 4,5,6              | a b c f               |               | OPEN          | OPEN         | NONE                   | NONE          |
| 93050-1543  | 93049-0006            | CCT 2, 5               | NONE                  |               | OPEN          | OPEN         | NONE                   | NONE          |
| 93050-1544  | 93049-0066            | NONE                   | NONE                  |               | CLOSED        | OPEN         | NONE                   | NONE          |
| 93050-1545  | 93049-0006            | NONE                   | d f                   |               | OPEN          | OPEN         | NONE                   | NONE          |
| 93050-1546  | 93049-0006            | NONE                   | c e g                 |               | OPEN          | OPEN         | NONE                   | NONE          |
| 93050-1547  | 93049-0306            | NONE                   | a b g                 |               | OPEN          | OPEN         | BETWEEN CCT 3&4        | BLUE          |
| 93050-1548  | 93049-0006            | CCT 4,5,6              | b c f                 |               | OPEN          | OPEN         | NONE                   | NONE          |
| 93050-1549  | 93049-0026            | CCT 2, 5               | NONE                  |               | CLOSED        | CLOSED       | NONE                   | NONE          |
| 93050-1550  | 93049-0026            | NONE                   | c d                   |               | CLOSED        | CLOSED       | NONE                   | NONE          |
| 93050-1551  | 93049-0206            | NONE                   | NONE                  |               | OPEN          | OPEN         | BETWEEN CCT 2&3        | NONE          |
| 93050-1552  | 93049-0206            | NONE                   | NONE                  |               | OPEN          | OPEN         | BETWEEN CCT 2&3        | RED           |
| 93050-1553  | 93049-0006            | CCT 3, 5               | c d e                 |               | OPEN          | OPEN         | NONE                   | NONE          |
| 93050-1554  | 93049-0006            | NONE                   | b f g                 |               | OPEN          | OPEN         | NONE                   | NONE          |
| 93050-1555  | REPLACE BY 93050-1509 |                        |                       |               |               |              |                        |               |
| 93050-1556  | 93049-0426            | NONE                   | NONE                  |               | CLOSED        | CLOSED       | BETWEEN CCT 4&5        | BROWN         |

| 6 CIRCUIT   |              |                        |                       |               |               |              |                        |               |
|-------------|--------------|------------------------|-----------------------|---------------|---------------|--------------|------------------------|---------------|
| PART NUMBER | HOUSING USED | TERMINAL VOID POSITION | REMOVED POSITION KEYS | CONFIGURATION | FIRST ENDWALL | LAST ENDWALL | POLARIZING RIB BETWEEN | COLOUR STRIPE |
| 93050-1557  | 93049-0006   | NONE                   | c f                   |               | OPEN          | OPEN         | NONE                   | NONE          |
| 93050-1558  | 93049-0006   | CCT 2, 5               | d f                   |               | OPEN          | OPEN         | NONE                   | NONE          |
| 93050-1559  | 93049-0006   | CCT 2,4                | d e                   |               | OPEN          | OPEN         | NONE                   | GREEN         |
| 93050-1560  | 93049-0086   | CCT 2, 5               | NONE                  |               | NARROW        | OPEN         | NONE                   | NONE          |
| 93050-1561  | 93049-0046   | CCT 2, 5               | NONE                  |               | OPEN          | CLOSED       | NONE                   | NONE          |
| 93050-1562  | 93049-0046   | NONE                   | c d                   |               | OPEN          | CLOSED       | NONE                   | NONE          |
| 93050-1563  | 93049-0006   | NONE                   | b d f                 |               | OPEN          | OPEN         | NONE                   | BLUE          |
| 93050-1564  | 93049-0006   | NONE                   | NONE                  |               | OPEN          | OPEN         | NONE                   | BLUE          |
| 93050-1565  | 93049-0266   | NONE                   | NONE                  |               | CLOSED        | OPEN         | BETWEEN CCT 2&3        | BLUE          |
| 93050-1566  | 93049-0426   | NONE                   | NONE                  |               | CLOSED        | CLOSED       | BETWEEN CCT 4&5        | NONE          |
| 93050-1567  | 93049-0006   | NONE                   | a b f g               |               | OPEN          | OPEN         | NONE                   | BLUE          |
| 93050-1568  | 93049-1506   | NONE                   | c f                   |               | OPEN          | OPEN         | BETWEEN CCT 1&2 3&4    | NONE          |
| 93050-1569  | 93049-0206   | CCT 2, 5               | NONE                  |               | OPEN          | OPEN         | BETWEEN CCT 2&3        | NONE          |
| 93050-1570  | 93049-0426   | NONE                   | NONE                  |               | CLOSED        | CLOSED       | BETWEEN CCT 4&5        | BLACK         |
| 93050-1571  | 93049-0006   | NONE                   | a c e g               |               | OPEN          | OPEN         | NONE                   | BLACK         |
| 93050-1572  | 93049-0006   | NONE                   | NONE                  |               | OPEN          | OPEN         | NONE                   | BLACK         |
| 93050-1573  | 93049-0006   | CCT 2                  | NONE                  |               | OPEN          | OPEN         | NONE                   | BLACK         |
| 93050-1574  | 93049-0006   | CCT 5                  | NONE                  |               | OPEN          | OPEN         | NONE                   | NONE          |
| 93050-1575  | 93049-0426   | NONE                   | NONE                  |               | CLOSED        | CLOSED       | BETWEEN CCT 4&5        | YELLOW        |
| 93050-1576  | 93049-0026   | NONE                   | NONE                  |               | CLOSED        | CLOSED       | NONE                   | GREEN         |
| 93050-1577  | 93049-0006   | NONE                   | NONE                  |               | OPEN          | OPEN         | NONE                   | BROWN         |
| 93050-1578  | 93049-0006   | NONE                   | a c d e f g           |               | OPEN          | OPEN         | NONE                   | NONE          |
| 93050-1579  | 93049-0006   | CCT 5                  | a c d e f g           |               | OPEN          | OPEN         | NONE                   | NONE          |
| 93050-1580  | 93049-0126   | NONE                   | NONE                  |               | CLOSED        | CLOSED       | BETWEEN CCT 1&2        | NONE          |

6CCT CONTINUED ON NEXT SHEET

NOTES

- + DENOTES TERMINAL VOIDED POSITION
  - ⊕ DENOTES TERMINAL LOADED POSITION
  - | DENOTES POLARIZING RIB POSITION
2. MOLEX HOUSING NO. FOR REFERENCE ONLY

|   |  |        |  |   |  |                 |  |                |  |               |  |            |  |
|---|--|--------|--|---|--|-----------------|--|----------------|--|---------------|--|------------|--|
| THIS DRAWING CONTAINS INFORMATION THAT IS PROPRIETARY TO MOLEX ELECTRONIC TECHNOLOGIES, LLC AND SHOULD NOT BE USED WITHOUT WRITTEN PERMISSION |  |        |  |   |  |                 |  |                |  |               |  |            |  |
| DIMENSION UNITS   |  | SCALE  |  | CURRENT REV DESC:   |  |                 |  |                |  |               |  |            |  |
| mm  |  | 1:1    |  |   |  |                 |  |                |  |               |  |            |  |
| GENERAL TOLERANCES (UNLESS SPECIFIED)   |  |        |  | <p>APPLI-MATE 2.5 FEMALE G.W.T. 750 VERSION</p> <p>PRODUCT CUSTOMER DRAWING</p> <p>DOCUMENT NUMBER: 930500001</p> <p>DOC TYPE: PSD</p> <p>DOC PART: 000</p> <p>REVISION: V1</p> |  |                 |  |                |  |               |  |            |  |
| ANGULAR TOL   |  | ± 0.5° |  |   |  |                 |  |                |  | EC NO: 675456 |  | 2021/08/24 |  |
| 4 PLACES  |  | ±      |  |   |  |                 |  |                |  | DRWN: MBN02   |  | 2021/08/26 |  |
| 3 PLACES  |  | ± 0.05 |  |   |  |                 |  |                |  | CHK'D: MBN02  |  | 2021/09/28 |  |
| 2 PLACES  |  | ± 0.1  |  |   |  |                 |  |                |  | APPR: SDEVITT |  |            |  |
| 1 PLACE   |  | ± 0.2  |  | INITIAL REVISION:   |  |                 |  | 2015/11/24     |  |               |  |            |  |
| 0 PLACES  |  | ±      |  | DRWN: CFISHER01   |  |                 |  | 2016/01/20     |  |               |  |            |  |
| DRAFT WHERE APPLICABLE MUST REMAIN WITHIN DIMENSIONS  |  |        |  | THIRD ANGLE PROJECTION  |  | DRAWING         |  | SERIES         |  |               |  |            |  |
|   |  |        |  |   |  | A2-SIZE         |  | 93050          |  |               |  |            |  |
|   |  |        |  |   |  | MATERIAL NUMBER |  | CUSTOMER       |  |               |  |            |  |
|   |  |        |  |   |  | SEE TABLE       |  | GENERAL MARKET |  |               |  |            |  |
|   |  |        |  |   |  | SHEET NUMBER    |  | 11 OF 17       |  |               |  |            |  |

| 6 CIRCUIT   |              |                        |                       |               |               |              |                        |               |
|-------------|--------------|------------------------|-----------------------|---------------|---------------|--------------|------------------------|---------------|
| PART NUMBER | HOUSING USED | TERMINAL VOID POSITION | REMOVED POSITION KEYS | CONFIGURATION | FIRST ENDWALL | LAST ENDWALL | POLARIZING RIB BETWEEN | COLOUR STRIPE |
| 93050-1581  | 93049-0226   | NONE                   | NONE                  |               | CLOSED        | CLOSED       | BETWEEN CCT 2&3        | NONE          |
| 93050-1582  | 93049-0006   | CCT 1                  | NONE                  |               | OPEN          | OPEN         | NONE                   | NONE          |
| 93050-1583  | 93049-0006   | CCT 3,4                | NONE                  |               | OPEN          | OPEN         | NONE                   | NONE          |
| 93050-1584  | 93049-0506   | NONE                   | a g                   |               | OPEN          | OPEN         | BETWEEN CCT 5&6        | NONE          |
| 93050-1585  | 93049-0006   | NONE                   | d                     |               | OPEN          | OPEN         | NONE                   | NONE          |
| 93050-1586  | 93049-0006   | NONE                   | a c d e g             |               | OPEN          | OPEN         | NONE                   | NONE          |
| 93050-1587  | 93049-0006   | NONE                   | a b d e g             |               | OPEN          | OPEN         | NONE                   | NONE          |
| 93050-1588  | 93049-9914   | NONE                   | NONE                  |               | NARROW FLUSH  | OPEN         | NONE                   | RED           |
| 93050-1589  | 93049-0006   | NONE                   | NONE                  |               | OPEN          | OPEN         | NONE                   | GREEN         |
| 93050-1590  | 93049-0006   | NONE                   | a b d f g             |               | OPEN          | OPEN         | NONE                   | NONE          |
| 93050-1591  | 93049-0006   | NONE                   | a b c d e f g         |               | OPEN          | OPEN         | NONE                   | NONE          |

| 7 CIRCUIT   |              |                        |                       |               |               |              |                        |               |
|-------------|--------------|------------------------|-----------------------|---------------|---------------|--------------|------------------------|---------------|
| PART NUMBER | HOUSING USED | TERMINAL VOID POSITION | REMOVED POSITION KEYS | CONFIGURATION | FIRST ENDWALL | LAST ENDWALL | POLARIZING RIB BETWEEN | COLOUR STRIPE |
| 93050-2001  | 93049-0007   | NONE                   | NONE                  |               | OPEN          | OPEN         | NONE                   | NONE          |
| 93050-2002  | 93049-0007   | CCT 2, 3, 5            | c d f h               |               | OPEN          | OPEN         | NONE                   | NONE          |
| 93050-2003  | 93049-0007   | NONE                   | a c d e f g           |               | OPEN          | OPEN         | NONE                   | NONE          |
| 93050-2004  | 93049-0007   | NONE                   | b c f h               |               | OPEN          | OPEN         | NONE                   | NONE          |
| 93050-2005  | 93049-0007   | NONE                   | b c d e f             |               | OPEN          | OPEN         | NONE                   | NONE          |
| 93050-2006  | 93049-0007   | CCT 3                  | a c e f h             |               | OPEN          | OPEN         | NONE                   | YELLOW        |
| 93050-2007  | 93049-0007   | NONE                   | a c d e f h           |               | OPEN          | OPEN         | NONE                   | NONE          |
| 93050-2008  | 93049-0007   | CCT 2,4,6,7            | b e                   |               | OPEN          | OPEN         | NONE                   | BLUE          |
| 93050-2009  | 93049-0607   | NONE                   | NONE                  |               | OPEN          | OPEN         | BETWEEN CCT 6&7        | NONE          |
| 93050-2010  | 93049-0007   | CCT 2,3                | b c f h               |               | OPEN          | OPEN         | NONE                   | NONE          |
| 93050-2011  | 93049-0007   | NONE                   | a d                   |               | OPEN          | OPEN         | NONE                   | NONE          |
| 93050-2012  | 93049-0007   | NONE                   | a b e f               |               | OPEN          | OPEN         | NONE                   | NONE          |
| 93050-2013  | 93049-0007   | NONE                   | b c d f               |               | OPEN          | OPEN         | NONE                   | NONE          |
| 93050-2015  | 93049-0107   | NONE                   | a h                   |               | OPEN          | OPEN         | BETWEEN CCT 1&2        | NONE          |
| 93050-2016  | 93049-0007   | NONE                   | a d e f h             |               | OPEN          | OPEN         | NONE                   | NONE          |
| 93050-2017  | 93049-0007   | NONE                   | b d e f h             |               | OPEN          | OPEN         | NONE                   | NONE          |
| 93050-2018  | 93049-0007   | NONE                   | a b                   |               | OPEN          | OPEN         | NONE                   | NONE          |
| 93050-2019  | 93049-0007   | NONE                   | c d e f g h           |               | OPEN          | OPEN         | NONE                   | NONE          |
| 93050-2020  | 93049-0227   | NONE                   | NONE                  |               | CLOSED        | CLOSED       | BETWEEN CCT 2&3        | NONE          |
| 93050-2022  | 93049-0007   | CCT 2,3,4,6            | NONE                  |               | OPEN          | OPEN         | NONE                   | NONE          |
| 93050-2023  | 93049-0027   | NONE                   | NONE                  |               | CLOSED        | CLOSED       | NONE                   | NONE          |
| 93050-2024  | 93049-0207   | NONE                   | NONE                  |               | OPEN          | OPEN         | BETWEEN CCT 2&3        | BLUE          |
| 93050-2025  | 93049-0207   | CCT 1,2                | NONE                  |               | OPEN          | OPEN         | BETWEEN CCT 2&3        | BLUE          |
| 93050-2026  | 93049-0007   | CCT 2,4,6              | NONE                  |               | OPEN          | OPEN         | NONE                   | NONE          |

7CCT CONTINUED ON NEXT SHEET

NOTES

- + DENOTES TERMINAL VOIDED POSITION  
⊕ DENOTES TERMINAL LOADED POSITION  
| DENOTES POLARIZING RIB POSITION
- MOLEX HOUSING NO. FOR REFERENCE ONLY

|   |  |                            |  |   |  |                            |  |                          |  |
|---|--|----------------------------|--|---|--|----------------------------|--|--------------------------|--|
| THIS DRAWING CONTAINS INFORMATION THAT IS PROPRIETARY TO MOLEX ELECTRONIC TECHNOLOGIES, LLC AND SHOULD NOT BE USED WITHOUT WRITTEN PERMISSION |  |                            |  |   |  |                            |  |                          |  |
| DIMENSION UNITS   |  | SCALE                      |  | CURRENT REV DESC:   |  |                            |  |                          |  |
| mm  |  | 1:1                        |  | <p><b>molex</b></p> <p>APPLI-MATE 2.5 FEMALE G.W.T. 750 VERSION</p> <p>PRODUCT CUSTOMER DRAWING</p> <p>DOCUMENT NUMBER: <b>930500001</b>   DOC TYPE: PSD   DOC PART: 000   REVISION: V1</p> |  |                            |  |                          |  |
| GENERAL TOLERANCES (UNLESS SPECIFIED)   |  |                            |  |   |  |                            |  |                          |  |
| ANGULAR TOL ± 0.5°  |  |                            |  |   |  |                            |  |                          |  |
| 4 PLACES ±  |  | EC NO: 675456              |  |   |  |                            |  |                          |  |
| 3 PLACES ± 0.05   |  | DRWN: MBN02 2021/08/24     |  |   |  |                            |  |                          |  |
| 2 PLACES ± 0.1  |  | CHK'D: MBN02 2021/08/26    |  |   |  |                            |  |                          |  |
| 1 PLACE ± 0.2   |  | APPR: SDEVITT 2021/09/28   |  |   |  |                            |  |                          |  |
| 0 PLACES ±  |  | INITIAL REVISION:          |  |   |  |                            |  |                          |  |
| DRAFT WHERE APPLICABLE MUST REMAIN WITHIN DIMENSIONS  |  | DRWN: CFISHER01 2015/11/24 |  | APPR: MSHANAHAN 2016/01/20  |  | MATERIAL NUMBER: SEE TABLE |  | CUSTOMER: GENERAL MARKET |  |
| THIRD ANGLE PROJECTION  |  | DRAWING: A2-SIZE           |  | SERIES: 93050   |  | SHEET NUMBER: 12 OF 17     |  |                          |  |

# 7 CIRCUIT

| PART NUMBER | HOUSING USED | TERMINAL VOID POSITION | REMOVED POSITION KEYS | CONFIGURATION | FIRST ENDWALL | LAST ENDWALL | POLARIZING RIB BETWEEN | COLOUR STRIPE |
|-------------|--------------|------------------------|-----------------------|---------------|---------------|--------------|------------------------|---------------|
| 93050-2027  | 93049-0007   | CCT 2,4                | NONE                  |               | OPEN          | OPEN         | NONE                   | GREEN         |
| 93050-2028  | 93049-0007   | CCT 4,7                | NONE                  |               | OPEN          | OPEN         | NONE                   | BLUE          |
| 93050-2029  | 93049-0007   | NONE                   | b c e f               |               | OPEN          | OPEN         | NONE                   | NONE          |
| 93050-2030  | 93049-0007   | NONE                   | b e                   |               | OPEN          | OPEN         | NONE                   | NONE          |
| 93050-2031  | 93049-0007   | CCT 5,6,7              | b e                   |               | OPEN          | OPEN         | NONE                   | NONE          |
| 93050-2032  | 93049-0007   | CCT 5,6,7              | NONE                  |               | OPEN          | OPEN         | NONE                   | NONE          |
| 93050-2033  | 93049-0007   | NONE                   | a b d e g h           |               | OPEN          | OPEN         | NONE                   | NONE          |
| 93050-2034  | 93049-0007   | NONE                   | b c d e f g           |               | OPEN          | OPEN         | NONE                   | NONE          |
| 93050-2035  | 93049-0007   | NONE                   | a c f h               |               | OPEN          | OPEN         | NONE                   | NONE          |
| 93050-2036  | 93049-0007   | CCT 1,2,3,4,6          | a c f                 |               | OPEN          | OPEN         | NONE                   | NONE          |
| 93050-2037  | 93049-0067   | NONE                   | NONE                  |               | CLOSED        | OPEN         | NONE                   | NONE          |
| 93050-2038  | 93049-0627   | NONE                   | NONE                  |               | CLOSED        | CLOSED       | BETWEEN CCT 6&7        | NONE          |
| 93050-2039  | 93049-0007   | NONE                   | NONE                  |               | OPEN          | OPEN         | NONE                   | BLUE          |
| 93050-2040  | 93049-0207   | NONE                   | NONE                  |               | OPEN          | OPEN         | BETWEEN CCT 2&3        | NONE          |
| 93050-2041  | 93049-0007   | CCT 2,6                | a h                   |               | OPEN          | OPEN         | NONE                   | NONE          |
| 93050-2042  | 93049-0007   | CCT 2,6                | a h                   |               | OPEN          | OPEN         | NONE                   | BLACK         |
| 93050-2043  | 93049-0007   | CCT 1, 2, 3, 4         | b c d e f g           |               | OPEN          | OPEN         | NONE                   | NONE          |
| 93050-2044  | 93049-0007   | CCT 6                  | NONE                  |               | OPEN          | OPEN         | NONE                   | NONE          |
| 93050-2045  | 93049-0007   | NONE                   | a                     |               | OPEN          | OPEN         | NONE                   | NONE          |
| 93050-2046  | 93049-0007   | NONE                   | a c e f h             |               | OPEN          | OPEN         | NONE                   | NONE          |
| 93050-2047  | 93049-0007   | NONE                   | a b d f g h           |               | OPEN          | OPEN         | NONE                   | NONE          |
| 93050-2048  | 93049-0207   | CCT 4,6                | NONE                  |               | OPEN          | OPEN         | BETWEEN CCT 2&3        | RED           |
| 93050-2049  | 93049-0007   | CCT 2,4                | NONE                  |               | OPEN          | OPEN         | NONE                   | NONE          |
| 93050-2050  | 93049-0007   | CCT 4,6                | NONE                  |               | OPEN          | OPEN         | NONE                   | NONE          |
| 93050-2051  | 93049-0207   | CCT 4,6                | NONE                  |               | OPEN          | OPEN         | BETWEEN CCT 2&3        | NONE          |

## NOTES

- + DENOTES TERMINAL VOIDED POSITION  
 ⊕ DENOTES TERMINAL LOADED POSITION  
 | DENOTES POLARIZING RIB POSITION
- MOLEX HOUSING NO. FOR REFERENCE ONLY

THIS DRAWING CONTAINS INFORMATION THAT IS PROPRIETARY TO MOLEX ELECTRONIC TECHNOLOGIES, LLC AND SHOULD NOT BE USED WITHOUT WRITTEN PERMISSION

|  |        |                        |            |  |                 |                |              |          |
|--|--------|------------------------|------------|--|-----------------|----------------|--------------|----------|
| DIMENSION UNITS                                      | SCALE  | CURRENT REV DESC:      |            | <b>molex</b>                             |                 |                |              |          |
| mm   | 1:1    |                        |            |  |                 |                |              |          |
| GENERAL TOLERANCES (UNLESS SPECIFIED)                |        |                        |            | APPLI-MATE 2.5 FEMALE G.W.T. 750 VERSION |                 |                |              |          |
| ANGULAR TOL  | ± 0.5° | EC NO: 675456          |            |  |                 |                |              |          |
| 4 PLACES   | ±      | DRWN: MBN02            | 2021/08/24 |  |                 |                |              |          |
| 3 PLACES   | ± 0.05 | CHK'D: MBN02           | 2021/08/26 |  |                 |                |              |          |
| 2 PLACES   | ± 0.1  | APPR: SDEVITT          | 2021/09/28 | PRODUCT CUSTOMER DRAWING                 |                 |                |              |          |
| 1 PLACE  | ± 0.2  | INITIAL REVISION:      |            | DOCUMENT NUMBER                          |                 |                |              |          |
| 0 PLACES   | ±      | DRWN: CFISHER01        | 2015/11/24 | 930500001                                |                 | DOC TYPE       | DOC PART     | REVISION |
| DRAFT WHERE APPLICABLE MUST REMAIN WITHIN DIMENSIONS |        | THIRD ANGLE PROJECTION | DRAWING    | SERIES                                   | MATERIAL NUMBER | CUSTOMER       | SHEET NUMBER |          |
|  |        |                        | A2-SIZE    | 93050                                    | SEE TABLE       | GENERAL MARKET | 13 OF 17     |          |

APPLI-MATE 2.5 FEMALE G.W.T. 750 VERSION  
 PRODUCT CUSTOMER DRAWING  
 DOCUMENT NUMBER: 930500001  
 DOC TYPE: PSD  
 DOC PART: 000  
 REVISION: V1

|                 |    |              |            |          |
|-----------------|----|--------------|------------|----------|
| DOCUMENT STATUS | P1 | RELEASE DATE | 2021/09/28 | 05:26:21 |
|-----------------|----|--------------|------------|----------|

# 8 CIRCUIT

| PART NUMBER | HOUSING USED | TERMINAL VOID POSITION | REMOVED POSITION KEYS | CONFIGURATION | FIRST ENDWALL | LAST ENDWALL | POLARIZING RIB BETWEEN | COLOUR STRIPE |
|-------------|--------------|------------------------|-----------------------|---------------|---------------|--------------|------------------------|---------------|
| 93050-2501  | 93049-0008   | NONE                   | NONE                  |               | OPEN          | OPEN         | NONE                   | NONE          |
| 93050-2502  | 93049-0008   | CCT 2,5,7              | b c d f g h i         |               | OPEN          | OPEN         | NONE                   | NONE          |
| 93050-2503  | 93049-0008   | NONE                   | c f h i               |               | OPEN          | OPEN         | NONE                   | NONE          |
| 93050-2504  | 93049-0608   | NONE                   | NONE                  |               | OPEN          | OPEN         | BETWEEN CCT 6&7        | BLUE          |
| 93050-2505  | 93049-0708   | NONE                   | NONE                  |               | OPEN          | OPEN         | BETWEEN CCT 7&8        | BLUE          |
| 93050-2506  | 93049-0008   | NONE                   | b c d g h i           |               | OPEN          | OPEN         | NONE                   | NONE          |
| 93050-2508  | 93049-0608   | NONE                   | NONE                  |               | OPEN          | OPEN         | BETWEEN CCT 6&7        | NONE          |
| 93050-2509  | 93049-0008   | CCT 1,2,5              | a b d f h i           |               | OPEN          | OPEN         | NONE                   | NONE          |
| 93050-2751  | 93049-0048   | NONE                   | NONE                  |               | OPEN          | CLOSED       | NONE                   | NONE          |
| 93050-2752  | 93049-0008   | CCT 1,2,7,8            | a b d f h i           |               | OPEN          | OPEN         | NONE                   | BLACK         |
| 93050-2753  | 93049-1308   | NONE                   | NONE                  |               | OPEN          | OPEN         | BETWEEN CCT 1&2-7&8    | NONE          |
| 93050-2754  | 93049-0568   | NONE                   | NONE                  |               | CLOSED        | OPEN         | BETWEEN CCT 5&6        | NONE          |
| 93050-2510  | 93049-0008   | NONE                   | a b c d g h           |               | OPEN          | OPEN         | NONE                   | NONE          |
| 93050-2511  | 93049-0008   | NONE                   | a c d e g h i         |               | OPEN          | OPEN         | NONE                   | NONE          |
| 93050-2512  | 93049-0728   | NONE                   | NONE                  |               | CLOSED        | CLOSED       | BETWEEN CCT 7&8        | NONE          |
| 93050-2513  | 93049-0008   | NONE                   | b c d h i             |               | OPEN          | OPEN         | NONE                   | NONE          |
| 93050-2516  | 93049-0008   | CCT 2,4                | NONE                  |               | OPEN          | OPEN         | NONE                   | NONE          |
| 93050-2517  | 93049-0008   | 5, 7                   | NONE                  |               | OPEN          | OPEN         | NONE                   | NONE          |
| 93050-2518  | 93049-0008   | CCT 2                  | NONE                  |               | OPEN          | OPEN         | NONE                   | NONE          |
| 93050-2519  | 93049-0068   | 5, 7                   | NONE                  |               | CLOSED        | OPEN         | NONE                   | NONE          |
| 93050-2520  | 93049-0208   | CCT 2,4                | NONE                  |               | OPEN          | OPEN         | BETWEEN CCT 2&3        | RED           |
| 93050-2521  | 93049-0308   | NONE                   | NONE                  |               | OPEN          | OPEN         | BETWEEN CCT 3&4        | NONE          |
| 93050-2522  | 93049-0008   | NONE                   | c h i                 |               | OPEN          | OPEN         | NONE                   | NONE          |
| 93050-2523  | 93049-0088   | 5, 7                   | NONE                  |               | NARROW        | OPEN         | NONE                   | NONE          |
| 93050-2524  | 93049-0328   | NONE                   | NONE                  |               | CLOSED        | CLOSED       | BETWEEN CCT 3&4        | NONE          |
| 93050-2525  | 93049-0008   | NONE                   | a b c g h i           |               | OPEN          | OPEN         | NONE                   | NONE          |
| 93050-2526  | 93049-0208   | CCT 2,5                | NONE                  |               | OPEN          | OPEN         | BETWEEN CCT 2&3        | BLUE          |
| 93050-2527  | 93049-0008   | CCT 3,4,5              | NONE                  |               | OPEN          | OPEN         | NONE                   | NONE          |

# 8 CIRCUIT

| PART NUMBER | HOUSING USED | TERMINAL VOID POSITION | REMOVED POSITION KEYS | CONFIGURATION | FIRST ENDWALL | LAST ENDWALL | POLARIZING RIB BETWEEN | COLOUR STRIPE |
|-------------|--------------|------------------------|-----------------------|---------------|---------------|--------------|------------------------|---------------|
| 93050-2528  | 93049-0008   | CCT 4,5,6              | NONE                  |               | OPEN          | OPEN         | NONE                   | NONE          |
| 93050-2529  | 93049-0008   | CCT 2,6                | NONE                  |               | OPEN          | OPEN         | NONE                   | NONE          |
| 93050-2530  | 93049-0008   | NONE                   | a e f g h i           |               | OPEN          | OPEN         | NONE                   | NONE          |
| 93050-2531  | 93049-0628   | NONE                   | NONE                  |               | CLOSED        | CLOSED       | BETWEEN CCT 6&7        | NONE          |
| 93050-2532  | 93049-0008   | NONE                   | b c d e f g h         |               | OPEN          | OPEN         | NONE                   | NONE          |
| 93050-2533  | 93049-0068   | NONE                   | NONE                  |               | CLOSED        | CLOSED       | NONE                   | NONE          |

## NOTES

- + DENOTES TERMINAL VOIDED POSITION  
⊕ DENOTES TERMINAL LOADED POSITION  
| DENOTES POLARIZING RIB POSITION
- MOLEX HOUSING NO. FOR REFERENCE ONLY

|   |  |        |  |  |  |                 |  |                 |  |               |  |            |  |
|---|--|--------|--|--|--|-----------------|--|-----------------|--|---------------|--|------------|--|
| THIS DRAWING CONTAINS INFORMATION THAT IS PROPRIETARY TO MOLEX ELECTRONIC TECHNOLOGIES, LLC AND SHOULD NOT BE USED WITHOUT WRITTEN PERMISSION |  |        |  |  |  |                 |  |                 |  |               |  |            |  |
| DIMENSION UNITS   |  | SCALE  |  | CURRENT REV DESC:  |  |                 |  |                 |  |               |  |            |  |
| mm  |  | 1:1    |  | <br>APPLI-MATE 2.5 FEMALE G.W.T. 750 VERSION<br>PRODUCT CUSTOMER DRAWING |  |                 |  |                 |  |               |  |            |  |
| GENERAL TOLERANCES (UNLESS SPECIFIED)   |  |        |  |  |  |                 |  |                 |  | EC NO: 675456 |  | 2021/08/24 |  |
| ANGULAR TOL   |  | ± 0.5° |  |  |  |                 |  |                 |  | DRWN: MBN02   |  | 2021/08/26 |  |
| 4 PLACES  |  | ±      |  |  |  |                 |  |                 |  | CHK'D: MBN02  |  | 2021/09/28 |  |
| 3 PLACES  |  | ± 0.05 |  | APPR: SDEVITT  |  | 2021/09/28      |  | DOCUMENT NUMBER |  |               |  |            |  |
| 2 PLACES  |  | ± 0.1  |  | INITIAL REVISION:  |  | 2015/11/24      |  | 930500001       |  |               |  |            |  |
| 1 PLACE   |  | ± 0.2  |  | DRWN: CFISHER01  |  | 2016/01/20      |  | PSD 000 V1      |  |               |  |            |  |
| 0 PLACES  |  | ±      |  | APPR: MSHANAHAN  |  |                 |  | SHEET NUMBER    |  |               |  |            |  |
| DRAFT WHERE APPLICABLE MUST REMAIN WITHIN DIMENSIONS  |  |        |  | THIRD ANGLE PROJECTION   |  | DRAWING         |  | SERIES          |  |               |  |            |  |
|   |  |        |  |  |  | A2-SIZE         |  | 93050           |  |               |  |            |  |
|   |  |        |  |  |  | MATERIAL NUMBER |  | CUSTOMER        |  |               |  |            |  |
|   |  |        |  |  |  | SEE TABLE       |  | GENERAL MARKET  |  |               |  |            |  |
|   |  |        |  |  |  |                 |  | 14 OF 17        |  |               |  |            |  |

|                 |    |              |            |          |
|-----------------|----|--------------|------------|----------|
| DOCUMENT STATUS | P1 | RELEASE DATE | 2021/09/28 | 05:26:21 |
|-----------------|----|--------------|------------|----------|

| 9 CIRCUIT   |              |                        |                       |               |               |              |                        |               |
|-------------|--------------|------------------------|-----------------------|---------------|---------------|--------------|------------------------|---------------|
| PART NUMBER | HOUSING USED | TERMINAL VOID POSITION | REMOVED POSITION KEYS | CONFIGURATION | FIRST ENDWALL | LAST ENDWALL | POLARIZING RIB BETWEEN | COLOUR STRIPE |
| 93050-3001  | 93049-0009   | NONE                   | NONE                  |               | OPEN          | OPEN         | NONE                   | NONE          |
| 93050-3002  | 93049-0009   | CCT 3, 5, 8            | b c d e f g h i       |               | OPEN          | OPEN         | NONE                   | NONE          |
| 93050-3003  | 93049-0809   | NONE                   | NONE                  |               | OPEN          | OPEN         | BETWEEN CCT 8&9        | NONE          |
| 93050-3004  | 93049-0409   | NONE                   | NONE                  |               | OPEN          | OPEN         | BETWEEN CCT 4&5        | NONE          |
| 93050-3005  | 93049-0009   | CCT 2, 5, 8            | b c h i               |               | OPEN          | OPEN         | NONE                   | NONE          |
| 93050-3006  | 93049-0009   | NONE                   | b c h i               |               | OPEN          | OPEN         | NONE                   | NONE          |
| 93050-3007  | 93049-0009   | CCT 3, 5, 8            | NONE                  |               | OPEN          | OPEN         | NONE                   | BLUE          |
| 93050-3008  | 93049-0829   | NONE                   | NONE                  |               | CLOSED        | CLOSED       | BETWEEN CCT 8&9        | NONE          |
| 93050-3010  | 93049-0009   | CCT 3,5,7,8,9          | NONE                  |               | OPEN          | OPEN         | NONE                   | NONE          |
| 93050-3011  | 93049-0309   | NONE                   | NONE                  |               | OPEN          | OPEN         | BETWEEN CCT 3&4        | NONE          |
| 93050-3012  | 93049-0209   | NONE                   | NONE                  |               | OPEN          | OPEN         | BETWEEN CCT 2&3        | NONE          |
| 93050-3013  | 93049-0509   | NONE                   | NONE                  |               | OPEN          | OPEN         | BETWEEN CCT 5&6        | NONE          |
| 93050-3014  | 93049-0009   | CCT 2, 5, 8            | NONE                  |               | OPEN          | OPEN         | NONE                   | NONE          |
| 93050-3015  | 93049-0009   | NONE                   | a b c d e f g h j     |               | OPEN          | OPEN         | NONE                   | NONE          |
| 93050-3016  | 93049-0009   | CKT 1,5                | a d f g i             |               | OPEN          | OPEN         | NONE                   | RED           |
| 93050-3017  | 93049-0009   | CKT 1,5                | NONE                  |               | OPEN          | OPEN         | NONE                   | RED           |
| 93050-3018  | 93049-0009   | CCT 2,4                | a d f g i             |               | OPEN          | OPEN         | NONE                   | RED           |
| 93050-3019  | 93049-0009   | CCT 2,4                | NONE                  |               | OPEN          | OPEN         | NONE                   | RED           |
| 93050-3020  | 93049-0009   | CKT 1,5                | a d f g i             |               | OPEN          | OPEN         | NONE                   | GREEN         |
| 93050-3021  | 93049-0009   | CKT 1,5                | NONE                  |               | OPEN          | OPEN         | NONE                   | GREEN         |
| 93050-3022  | 93049-0009   | CKT 1,5                | a c d f h j           |               | OPEN          | OPEN         | NONE                   | GREEN         |
| 93050-3023  | 93049-0009   | CKT 1,5                | a c d f h j           |               | OPEN          | OPEN         | NONE                   | RED           |
| 93050-3024  | 93049-0009   | CKT 3,5,8              | c d e i j             |               | OPEN          | OPEN         | NONE                   | BLUE          |
| 93050-3025  | 93049-0009   | CKT 2,4                | a c d f h j           |               | OPEN          | OPEN         | NONE                   | RED           |
| 93050-3026  | 93049-0069   | NONE                   | NONE                  |               | CLOSED        | OPEN         | NONE                   | NONE          |

+

| 10 CIRCUIT  |              |                        |                       |               |               |              |                        |               |
|-------------|--------------|------------------------|-----------------------|---------------|---------------|--------------|------------------------|---------------|
| PART NUMBER | HOUSING USED | TERMINAL VOID POSITION | REMOVED POSITION KEYS | CONFIGURATION | FIRST ENDWALL | LAST ENDWALL | POLARIZING RIB BETWEEN | COLOUR STRIPE |
| 93050-3501  | 93049-0010   | NONE                   | NONE                  |               | OPEN          | OPEN         | NONE                   | NONE          |
| 93050-3502  | 93049-0110   | NONE                   | NONE                  |               | OPEN          | OPEN         | BETWEEN CCT 1&2        | NONE          |
| 93050-3503  | 93049-0010   | CCT 2, 9               | NONE                  |               | OPEN          | OPEN         | NONE                   | BLUE          |
| 93050-3504  | 93049-0010   | CCT 2, 5, 7, 9         | NONE                  |               | OPEN          | OPEN         | NONE                   | NONE          |
| 93050-3505  | 93049-0010   | CCT 2, 4, 6, 9         | NONE                  |               | OPEN          | OPEN         | NONE                   | NONE          |
| 93050-3506  | 93049-0930   | NONE                   | NONE                  |               | CLOSED        | CLOSED       | BETWEEN CCT 9&10       | NONE          |
| 93050-3507  | 93049-0030   | NONE                   | NONE                  |               | CLOSED        | CLOSED       | NONE                   | NONE          |
| 93050-3508  | 93049-0010   | CCT 2,5,7,9            | b c d e f g h i j     |               | OPEN          | OPEN         | NONE                   | BLUE          |
| 93050-3509  | 93049-0010   | CCT 2,4,6,9            | c d e f g h i         |               | OPEN          | OPEN         | NONE                   | BLUE          |
| 93050-3510  | 93049-0010   | CCT 2,6,9              | NONE                  |               | OPEN          | OPEN         | NONE                   | NONE          |
| 93050-3511  | 93049-0010   | CCT 2, 5, 7, 9         | NONE                  |               | OPEN          | OPEN         | NONE                   | BLUE          |
| 93050-3512  | 93049-0010   | CCT 2,4,6,9            | NONE                  |               | OPEN          | OPEN         | NONE                   | BLUE          |
| 93050-3513  | 93049-0710   | NONE                   | NONE                  |               | OPEN          | OPEN         | BETWEEN CCT 7&8        | NONE          |
| 93050-3514  | 93049-0010   | NONE                   | NONE                  |               | OPEN          | OPEN         | NONE                   | BLUE          |
| 93050-3515  | 93049-0910   | CCT 2, 4, 6, 9         | d e f g h             |               | OPEN          | OPEN         | BETWEEN CCT 9&10       | NONE          |
| 93050-3516  | 93049-0010   | NONE                   | b c d e f g h i j     |               | OPEN          | OPEN         | NONE                   | NONE          |
| 93050-3517  | 93049-0230   | NONE                   | NONE                  |               | CLOSED        | CLOSED       | BETWEEN CCT 2&3        | NONE          |
| 93050-3518  | 93049-0130   | NONE                   | NONE                  |               | CLOSED        | CLOSED       | BETWEEN CCT 1&2        | NONE          |
| 93050-3519  | 93049-0330   | NONE                   | NONE                  |               | CLOSED        | CLOSED       | BETWEEN CCT 3&4        | NONE          |
| 93050-3520  | 93049-0410   | NONE                   | NONE                  |               | OPEN          | OPEN         | BETWEEN CCT 4&5        | NONE          |
| 93050-3521  | 93049-0210   | NONE                   | a b d f h i j k       |               | OPEN          | OPEN         | BETWEEN CCT 2&3        | NONE          |
| 93050-3522  | 93049-0010   | CCT 2, 3, 5, 7, 9      | NONE                  |               | OPEN          | OPEN         | NONE                   | NONE          |

NOTES

- + DENOTES TERMINAL VOIDED POSITION  
 ⊕ DENOTES TERMINAL LOADED POSITION  
 | DENOTES POLARIZING RIB POSITION
- MOLEX HOUSING NO. FOR REFERENCE ONLY

|   |  |                        |  |                            |  |          |  |  |  |
|---|--|------------------------|--|----------------------------|--|----------|--|--|--|
| THIS DRAWING CONTAINS INFORMATION THAT IS PROPRIETARY TO MOLEX ELECTRONIC TECHNOLOGIES, LLC AND SHOULD NOT BE USED WITHOUT WRITTEN PERMISSION |  |                        |  |                            |  |          |  |  |  |
| DIMENSION UNITS   |  | SCALE                  |  | CURRENT REV DESC:          |  |          |  |  |  |
| mm  |  | 1:1                    |  |                            |  |          |  |  |  |
| GENERAL TOLERANCES (UNLESS SPECIFIED)   |  |                        |  | EC NO: 675456              |  |          |  | APPLI-MATE 2.5 FEMALE G.W.T. 750 VERSION |  |
| ANGULAR TOL ± 0.5°  |  |                        |  | DRWN: MBN02 2021/08/24     |  |          |  |  |  |
| 4 PLACES ±  |  |                        |  | CHK'D: MBN02 2021/08/26    |  |          |  | PRODUCT CUSTOMER DRAWING                 |  |
| 3 PLACES ± 0.05   |  |                        |  | APPR: SDEVITT 2021/09/28   |  |          |  |  |  |
| 2 PLACES ± 0.1  |  |                        |  | INITIAL REVISION:          |  |          |  | DOCUMENT NUMBER                          |  |
| 1 PLACE ± 0.2   |  |                        |  | DRWN: CFISHER01 2015/11/24 |  |          |  |  |  |
| 0 PLACES ±  |  |                        |  | APPR: MSHANAHAN 2016/01/20 |  |          |  | 930500001                                |  |
| DRAFT WHERE APPLICABLE MUST REMAIN WITHIN DIMENSIONS  |  | THIRD ANGLE PROJECTION |  | DRAWING                    |  | SERIES   |  | SHEET NUMBER                             |  |
|   |  |                        |  | A2-SIZE                    |  | 93050    |  | 15 OF 17                                 |  |
| MATERIAL NUMBER   |  |                        |  | CUSTOMER                   |  | DOC TYPE |  | DOC PART                                 |  |
| SEE TABLE   |  |                        |  | GENERAL MARKET             |  | PSD      |  | 000 V1                                   |  |

| 11 CIRCUIT  |              |                              |                       |               |               |              |                        |               |
|-------------|--------------|------------------------------|-----------------------|---------------|---------------|--------------|------------------------|---------------|
| PART NUMBER | HOUSING USED | TERMINAL VOID POSITION       | REMOVED POSITION KEYS | CONFIGURATION | FIRST ENDWALL | LAST ENDWALL | POLARIZING RIB BETWEEN | COLOUR STRIPE |
| 93050-4001  | 93049-0011   | NONE                         | NONE                  |               | OPEN          | OPEN         | NONE                   | NONE          |
| 93050-4002  | 93049-0911   | NONE                         | bcdefghijk            |               | OPEN          | OPEN         | BETWEEN CCT 9&10       | BLUE          |
| 93050-4003  | 93049-0011   | NONE                         | bcdghijk              |               | OPEN          | OPEN         | NONE                   | NONE          |
| 93050-4004  | 93049-0011   | CCT 4, 6, 8, 10              | NONE                  |               | OPEN          | OPEN         | NONE                   | NONE          |
| 93050-4005  | 93049-0011   | CCT 4,6,8,10                 | bcdefghijk            |               | OPEN          | OPEN         | NONE                   | NONE          |
| 93050-4006  | 93049-0011   | CCT 4, 6, 8, 10              | NONE                  |               | OPEN          | OPEN         | NONE                   | ORANGE        |
| 93050-4007  | 93049-0911   | NONE                         | NONE                  |               | OPEN          | OPEN         | BETWEEN CCT 9&10       | NONE          |
| 93050-4008  | 93049-0031   | NONE                         | NONE                  |               | CLOSED        | CLOSED       | NONE                   | NONE          |
| 93050-4009  | 93049-0511   | NONE                         | NONE                  |               | OPEN          | OPEN         | BETWEEN CCT 5&6        | NONE          |
| 93050-4010  | 93049-0211   | CCT 2, 4, 6                  | NONE                  |               | OPEN          | OPEN         | BETWEEN CCT 2&3        | NONE          |
| 93050-4011  | 93049-0011   | CCT 2, 4, 6, 7, 8, 10        | cefgikl               |               | OPEN          | OPEN         | NONE                   | BLACK         |
| 93050-4012  | 93049-0011   | CCT 2, 4, 6, 7, 8, 10        | NONE                  |               | OPEN          | OPEN         | NONE                   | BLACK         |
| 93050-4013  | 93049-0011   | CCT 2, 4, 6, 9               | NONE                  |               | OPEN          | OPEN         | NONE                   | BLUE          |
| 93050-4014  | 93049-0011   | CCT 4, 5, 6, 8, 10           | NONE                  |               | OPEN          | OPEN         | NONE                   | NONE          |
| 93050-4015  | 93049-0011   | CCT 4, 5, 6, 7, 8, 9, 10, 11 | bcdefghijk            |               | OPEN          | OPEN         | NONE                   | NONE          |
| 93050-4016  | 93049-0011   | Cct 2, 4, 6, 7, 8, 10        | bdefhj                |               | OPEN          | OPEN         | NONE                   | BLACK         |
| 93050-4017  | 93049-0211   | NONE                         | NONE                  |               | OPEN          | OPEN         | BETWEEN CCT 2&3        | NONE          |

| 12 CIRCUIT  |              |                        |                       |               |               |              |                        |               |  |  |  |  |  |
|-------------|--------------|------------------------|-----------------------|---------------|---------------|--------------|------------------------|---------------|--|--|--|--|--|
| PART NUMBER | HOUSING USED | TERMINAL VOID POSITION | REMOVED POSITION KEYS | CONFIGURATION | FIRST ENDWALL | LAST ENDWALL | POLARIZING RIB BETWEEN | COLOUR STRIPE |  |  |  |  |  |
| 93050-4501  | 93049-0012   | NONE                   | NONE                  |               | OPEN          | OPEN         | NONE                   | NONE          |  |  |  |  |  |
| 93050-4502  | 93049-0072   | NONE                   | bcdfhikl              |               | CLOSED        | OPEN         | NONE                   | NONE          |  |  |  |  |  |
| 93050-4503  | 93049-0032   | NONE                   | NONE                  |               | CLOSED        | CLOSED       | NONE                   | NONE          |  |  |  |  |  |
| 93050-4504  | 93049-0072   | NONE                   | NONE                  |               | CLOSED        | OPEN         | NONE                   | NONE          |  |  |  |  |  |
| 93050-4506  | 93049-0092   | NONE                   | NONE                  |               | NARROW        | OPEN         | NONE                   | NONE          |  |  |  |  |  |
| 93050-4507  | 93049-0012   | NONE                   | adfgikm               |               | OPEN          | OPEN         | NONE                   | RED           |  |  |  |  |  |
| 93050-4508  | 93049-0012   | NONE                   | NONE                  |               | OPEN          | OPEN         | NONE                   | RED           |  |  |  |  |  |
| 93050-4509  | 93049-0012   | CCT 1, 2               | adfgikm               |               | OPEN          | OPEN         | NONE                   | GREEN         |  |  |  |  |  |
| 93050-4510  | 93049-0132   | NONE                   | NONE                  |               | CLOSED        | CLOSED       | BETWEEN CCT 1&2        | NONE          |  |  |  |  |  |

| 13 CIRCUIT  |              |                        |                       |               |               |              |                        |               |  |  |  |  |  |
|-------------|--------------|------------------------|-----------------------|---------------|---------------|--------------|------------------------|---------------|--|--|--|--|--|
| PART NUMBER | HOUSING USED | TERMINAL VOID POSITION | REMOVED POSITION KEYS | CONFIGURATION | FIRST ENDWALL | LAST ENDWALL | POLARIZING RIB BETWEEN | COLOUR STRIPE |  |  |  |  |  |
| 93050-5001  | 93049-0013   | NONE                   | NONE                  |               | OPEN          | OPEN         | NONE                   | NONE          |  |  |  |  |  |
| 93050-5002  | 93049-0213   | CCT 2,5,7,12           | an                    |               | OPEN          | OPEN         | BETWEEN CCT 2&3        | NONE          |  |  |  |  |  |
| 93050-5003  | 93049-0053   | NONE                   | NONE                  |               | OPEN          | CLOSED       | NONE                   | NONE          |  |  |  |  |  |
| 93050-5004  | 93049-0013   | CCT 4,6,8,10,12        | NONE                  |               | OPEN          | OPEN         | NONE                   | NONE          |  |  |  |  |  |
| 93050-5005  | 93049-0033   | NONE                   | NONE                  |               | CLOSED        | CLOSED       | NONE                   | NONE          |  |  |  |  |  |
| 93050-5006  | 93049-0013   | CCT 9,10,11            | NONE                  |               | OPEN          | OPEN         | NONE                   | NONE          |  |  |  |  |  |
| 93050-5007  | 93049-0213   | NONE                   | NONE                  |               | OPEN          | OPEN         | BETWEEN CCT 2&3        | NONE          |  |  |  |  |  |

NOTES

- + DENOTES TERMINAL VOIDED POSITION  
⊕ DENOTES TERMINAL LOADED POSITION  
| DENOTES POLARIZING RIB POSITION
- MOLEX HOUSING NO. FOR REFERENCE ONLY

|   |  |       |  |  |  |         |  |           |  |                 |  |          |  |              |  |
|---|--|-------|--|--|--|---------|--|-----------|--|-----------------|--|----------|--|--------------|--|
| THIS DRAWING CONTAINS INFORMATION THAT IS PROPRIETARY TO MOLEX ELECTRONIC TECHNOLOGIES, LLC AND SHOULD NOT BE USED WITHOUT WRITTEN PERMISSION |  |       |  |  |  |         |  |           |  |                 |  |          |  |              |  |
| DIMENSION UNITS   |  | SCALE |  | CURRENT REV DESC:  |  |         |  |           |  |                 |  |          |  |              |  |
| mm  |  | 1:1   |  |  |  |         |  |           |  |                 |  |          |  |              |  |
| GENERAL TOLERANCES (UNLESS SPECIFIED)   |  |       |  | <p>EC NO: 675456<br/> DRWN: MBN02 2021/08/24<br/> CHK'D: MBN02 2021/08/26<br/> APPR: SDEVITT 2021/09/28</p> <p>INITIAL REVISION:<br/> DRWN: CFISHER01 2015/11/24<br/> APPR: MSHANAHAN 2016/01/20</p> |  |         |  |           |  |                 |  |          |  |              |  |
| ANGULAR TOL ± 0.5°  |  |       |  |  |  |         |  |           |  |                 |  |          |  |              |  |
| 4 PLACES ±  |  |       |  |  |  |         |  |           |  |                 |  |          |  |              |  |
| 3 PLACES ± 0.05   |  |       |  |  |  |         |  |           |  |                 |  |          |  |              |  |
| 2 PLACES ± 0.1  |  |       |  |  |  |         |  |           |  |                 |  |          |  |              |  |
| 1 PLACE ± 0.2   |  |       |  | DOCUMENT NUMBER  |  |         |  | DOC TYPE  |  | DOC PART        |  | REVISION |  |              |  |
| 0 PLACES ±  |  |       |  | 930500001  |  |         |  | PSD       |  | 000             |  | V1       |  |              |  |
| DRAFT WHERE APPLICABLE MUST REMAIN WITHIN DIMENSIONS  |  |       |  | THIRD ANGLE PROJECTION   |  | DRAWING |  | SERIES    |  | MATERIAL NUMBER |  | CUSTOMER |  | SHEET NUMBER |  |
|   |  |       |  | A2-SIZE  |  | 93050   |  | SEE TABLE |  | GENERAL MARKET  |  | 16 OF 17 |  |              |  |



APPLI-MATE 2.5 FEMALE G.W.T. 750 VERSION

PRODUCT CUSTOMER DRAWING



| 14 CIRCUIT  |              |                        |                       |               |               |              |                        |               |
|-------------|--------------|------------------------|-----------------------|---------------|---------------|--------------|------------------------|---------------|
| PART NUMBER | HOUSING USED | TERMINAL VOID POSITION | REMOVED POSITION KEYS | CONFIGURATION | FIRST ENDWALL | LAST ENDWALL | POLARIZING RIB BETWEEN | COLOUR STRIPE |
| 93050-5501  | 93049-0014   | NONE                   | NONE                  |               | OPEN          | OPEN         | NONE                   | NONE          |
| 93050-5502  | 93049-1434   | NONE                   | NONE                  |               | CLOSED        | CLOSED       | BETWEEN CCT 13&14      | NONE          |
| 93050-5503  | 93049-0014   | CCT 7, 8, 9, 10        | ALL                   |               | OPEN          | OPEN         | NONE                   | BLUE          |
| 93050-5504  | 93049-0034   | NONE                   | NONE                  |               | CLOSED        | CLOSED       | NONE                   | NONE          |
| 93050-5505  | 93049-0134   | NONE                   | NONE                  |               | CLOSED        | CLOSED       | BETWEEN CCT 1&2        | NONE          |
| 93050-5506  | 93049-0534   | NONE                   | NONE                  |               | CLOSED        | CLOSED       | BETWEEN CCT 5&6        | NONE          |
| 93050-5507  | 93049-0074   | NONE                   | NONE                  |               | CLOSED        | OPEN         | NONE                   | NONE          |
| 93050-5508  | 93049-0214   | NONE                   | NONE                  |               | OPEN          | OPEN         | BETWEEN CCT 2 & 3      | NONE          |

| 15 CIRCUIT  |              |                        |                       |               |               |              |                        |               |
|-------------|--------------|------------------------|-----------------------|---------------|---------------|--------------|------------------------|---------------|
| PART NUMBER | HOUSING USED | TERMINAL VOID POSITION | REMOVED POSITION KEYS | CONFIGURATION | FIRST ENDWALL | LAST ENDWALL | POLARIZING RIB BETWEEN | COLOUR STRIPE |
| 93050-6001  | 93049-0015   | NONE                   | NONE                  |               | OPEN          | OPEN         | NONE                   | NONE          |
| 93050-6002  | 93049-0215   | CCT 10,12,14           | NONE                  |               | OPEN          | OPEN         | BETWEEN CCT 2&3        | NONE          |
| 93050-6003  | 93049-0035   | NONE                   | NONE                  |               | CLOSED        | CLOSED       | NONE                   | NONE          |
| 93050-6004  | 93049-0735   | NONE                   | NONE                  |               | CLOSED        | CLOSED       | BETWEEN CCT 7&8        | NONE          |

| 16 CIRCUIT  |              |                        |                       |               |               |              |                        |               |
|-------------|--------------|------------------------|-----------------------|---------------|---------------|--------------|------------------------|---------------|
| PART NUMBER | HOUSING USED | TERMINAL VOID POSITION | REMOVED POSITION KEYS | CONFIGURATION | FIRST ENDWALL | LAST ENDWALL | POLARIZING RIB BETWEEN | COLOUR STRIPE |
| 93050-6501  | 93049-0016   | NONE                   | NONE                  |               | OPEN          | OPEN         | NONE                   | NONE          |
| 93050-6502  | 93049-0636   | NONE                   | NONE                  |               | CLOSED        | CLOSED       | BETWEEN CCT 6&7        | NONE          |
| 93050-6503  | 93049-1116   | NONE                   | NONE                  |               | OPEN          | OPEN         | BETWEEN CCT 11&12      | NONE          |

| 17 CIRCUIT  |              |                        |                       |               |               |              |                        |               |  |  |  |  |  |
|-------------|--------------|------------------------|-----------------------|---------------|---------------|--------------|------------------------|---------------|--|--|--|--|--|
| PART NUMBER | HOUSING USED | TERMINAL VOID POSITION | REMOVED POSITION KEYS | CONFIGURATION | FIRST ENDWALL | LAST ENDWALL | POLARIZING RIB BETWEEN | COLOUR STRIPE |  |  |  |  |  |
| 93050-7001  | 93049-0017   | NONE                   | NONE                  |               | OPEN          | OPEN         | NONE                   | NONE          |  |  |  |  |  |
| 93050-7002  | 93049-0037   | NONE                   | NONE                  |               | CLOSED        | CLOSED       | NONE                   | NONE          |  |  |  |  |  |
| 93050-7003  | 93049-1017   | NONE                   | NONE                  |               | OPEN          | OPEN         | 10 & 11                | NONE          |  |  |  |  |  |

| 18 CIRCUIT  |              |                        |                       |               |               |              |                        |               |  |  |  |  |  |
|-------------|--------------|------------------------|-----------------------|---------------|---------------|--------------|------------------------|---------------|--|--|--|--|--|
| PART NUMBER | HOUSING USED | TERMINAL VOID POSITION | REMOVED POSITION KEYS | CONFIGURATION | FIRST ENDWALL | LAST ENDWALL | POLARIZING RIB BETWEEN | COLOUR STRIPE |  |  |  |  |  |
| 93050-7501  | 93049-0018   | NONE                   | NONE                  |               | OPEN          | OPEN         | NONE                   | NONE          |  |  |  |  |  |

| 19 CIRCUIT  |              |                        |                       |               |               |              |                        |               |  |  |  |  |  |
|-------------|--------------|------------------------|-----------------------|---------------|---------------|--------------|------------------------|---------------|--|--|--|--|--|
| PART NUMBER | HOUSING USED | TERMINAL VOID POSITION | REMOVED POSITION KEYS | CONFIGURATION | FIRST ENDWALL | LAST ENDWALL | POLARIZING RIB BETWEEN | COLOUR STRIPE |  |  |  |  |  |
| 93050-8001  | 93049-0019   | NONE                   | NONE                  |               | OPEN          | OPEN         | NONE                   | NONE          |  |  |  |  |  |
| 93050-8002  | 93049-0219   | NONE                   | ALL                   |               | OPEN          | OPEN         | BETWEEN CCT 2&3        | NONE          |  |  |  |  |  |
| 93050-8003  | 93049-9910   | NONE                   | ALL                   |               | NARROW FLUSH  | NARROW FLUSH | NONE                   | NONE          |  |  |  |  |  |

| 20 CIRCUIT  |              |                        |                       |               |               |              |                        |               |  |  |  |  |  |
|-------------|--------------|------------------------|-----------------------|---------------|---------------|--------------|------------------------|---------------|--|--|--|--|--|
| PART NUMBER | HOUSING USED | TERMINAL VOID POSITION | REMOVED POSITION KEYS | CONFIGURATION | FIRST ENDWALL | LAST ENDWALL | POLARIZING RIB BETWEEN | COLOUR STRIPE |  |  |  |  |  |
| 93050-8501  | 93049-0020   | NONE                   | NONE                  |               | OPEN          | OPEN         | NONE                   | NONE          |  |  |  |  |  |
| 93050-8502  | 93049-0520   | NONE                   | NONE                  |               | OPEN          | OPEN         | BETWEEN CCT 5&6        | NONE          |  |  |  |  |  |
| 93050-8503  | 93049-0380   | NONE                   | NONE                  |               | CLOSED        | OPEN         | BETWEEN CCT 3&4        | NONE          |  |  |  |  |  |
| 93050-8504  | 93049-0380   | NONE                   | NONE                  |               | CLOSED        | OPEN         | BETWEEN CCT 3&4        | BLUE          |  |  |  |  |  |
| 93050-8505  | 93049-0040   | NONE                   | NONE                  |               | CLOSED        | CLOSED       | NONE                   | NONE          |  |  |  |  |  |

NOTES

- + DENOTES TERMINAL VOIDED POSITION
  - ⊕ DENOTES TERMINAL LOADED POSITION
  - | DENOTES POLARIZING RIB POSITION
2. MOLEX HOUSING NO. FOR REFERENCE ONLY

|   |  |       |  |  |  |            |  |          |  |                 |  |                |  |              |  |
|---|--|-------|--|--|--|------------|--|----------|--|-----------------|--|----------------|--|--------------|--|
| THIS DRAWING CONTAINS INFORMATION THAT IS PROPRIETARY TO MOLEX ELECTRONIC TECHNOLOGIES, LLC AND SHOULD NOT BE USED WITHOUT WRITTEN PERMISSION |  |       |  |  |  |            |  |          |  |                 |  |                |  |              |  |
| DIMENSION UNITS   |  | SCALE |  | CURRENT REV DESC:  |  |            |  |          |  |                 |  |                |  |              |  |
| mm  |  | 1:1   |  | <p>GENERAL TOLERANCES (UNLESS SPECIFIED)</p> <p>ANGULAR TOL ± 0.5°</p> <p>4 PLACES ±</p> <p>3 PLACES ± 0.05</p> <p>2 PLACES ± 0.1</p> <p>1 PLACE ± 0.2</p> <p>0 PLACES ±</p> |  |            |  |          |  |                 |  |                |  |              |  |
| <p>EC NO: 675456</p> <p>DRWN: MBN02 2021/08/24</p> <p>CHK'D: MBN02 2021/08/26</p> <p>APPR: SDEVITT 2021/09/28</p>                             |  |       |  | <p><b>molex</b></p> <p>APPLI-MATE 2.5 FEMALE G.W.T. 750 VERSION</p>  |  |            |  |          |  |                 |  |                |  |              |  |
| <p>INITIAL REVISION:</p> <p>DRWN: CFISHER01 2015/11/24</p> <p>APPR: MSHANAHAN 2016/01/20</p>  |  |       |  | <p>PRODUCT CUSTOMER DRAWING</p>  |  |            |  |          |  |                 |  |                |  |              |  |
| <p>DRAFT WHERE APPLICABLE MUST REMAIN WITHIN DIMENSIONS</p>   |  |       |  | THIRD ANGLE PROJECTION   |  | DRAWING    |  | SERIES   |  | MATERIAL NUMBER |  | CUSTOMER       |  | SHEET NUMBER |  |
|   |  |       |  |  |  | A2-SIZE    |  | 93050    |  | SEE TABLE       |  | GENERAL MARKET |  | 17 OF 17     |  |
| DOCUMENT STATUS   |  | P1    |  | RELEASE DATE   |  | 2021/09/28 |  | 05:26:21 |  |                 |  |                |  |              |  |

V1

V1