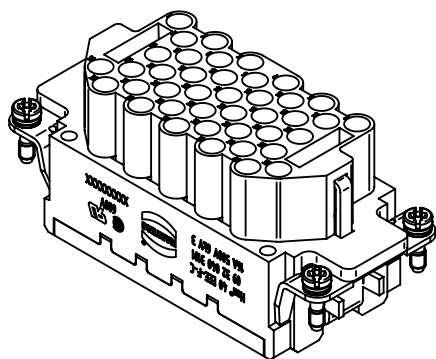
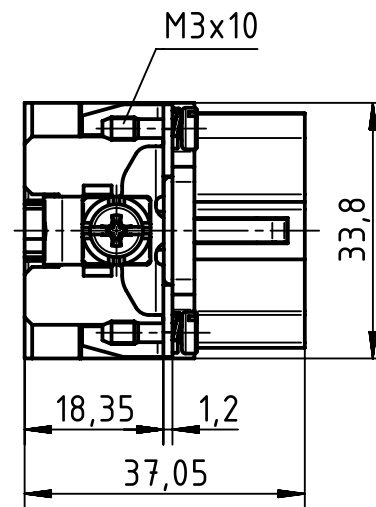
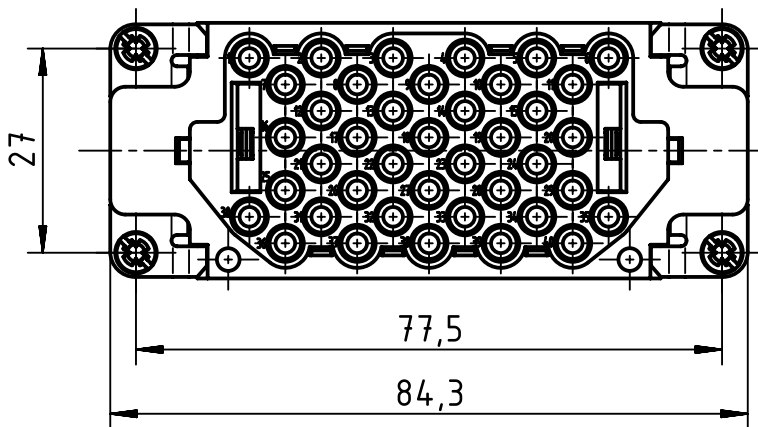
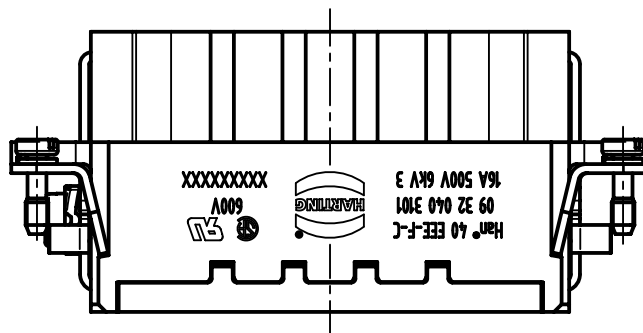
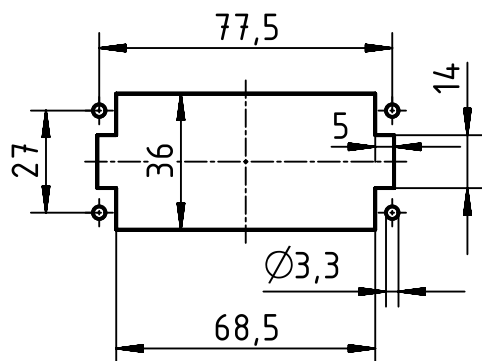


panel cut out (1:2)



	All Dimensions in mm Original Size DIN A4		Scale 1:1	Free size tol.		Ref. Sub. TB 09 32 040 3101 v. 02.04.09		
		All rights reserved Department EL PD - DE		Created by HOLLERT	Inspected by BERGHORN	Standardisation SCHMIDTM	Date 2016-04-20	State Final Release
HARTING Electric GmbH & Co. KG D-32339 Espelkamp				Title Han 40 EEE-F-C		Doc-Key / ECM-Nr. 100175993/UGD/005/A 500000103364		
				Type TB	Number 09 32 040 3101		Rev. A	Page 1/1