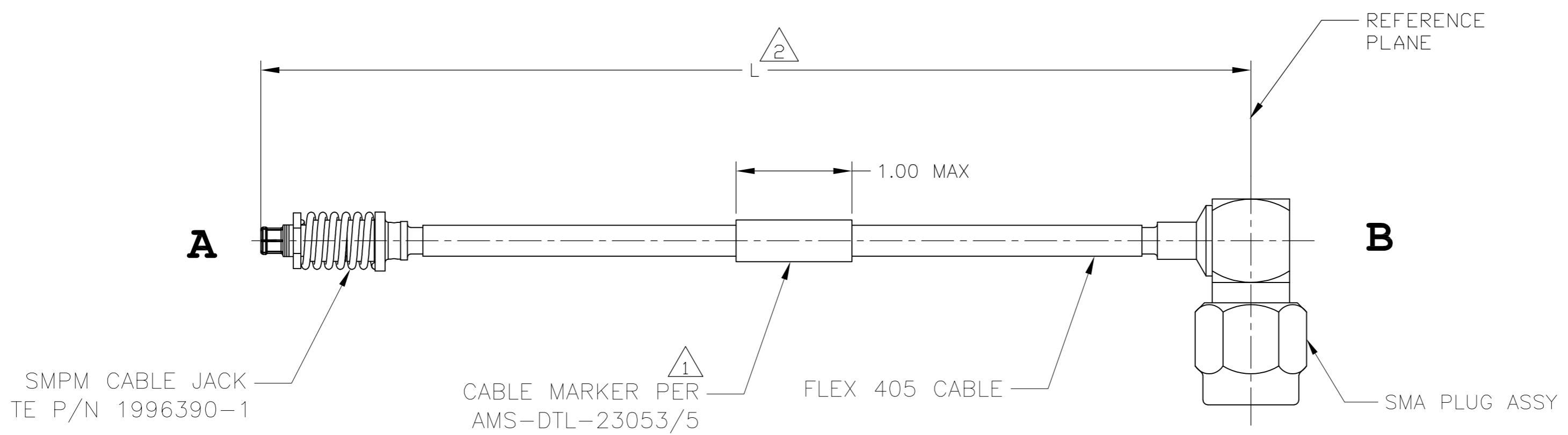


THIS DRAWING IS UNPUBLISHED. RELEASED FOR PUBLICATION
 © COPYRIGHT - By - ALL RIGHTS RESERVED.

LOC		DIST		REVISIONS			
P	LTR	DESCRIPTION	DATE	DWN	APVD		
	B	REV PER ECO 13-017691	10-18-12	CT	DW		



SMPM CABLE JACK
TE P/N 1996390-1

CABLE MARKER PER
AMS-DTL-23053/5

FLEX 405 CABLE

SMA PLUG ASSY

30.00	3-2221288-0
28.00	2-2221288-8
27.00	2-2221288-7
26.00	2-2221288-6
25.00	2-2221288-5
17.00	1-2221288-7
16.00	1-2221288-6
15.00	1-2221288-5
13.00	1-2221288-3
12.00	1-2221288-2
11.00	1-2221288-1
10.00	1-2221288-0
9.00	2221288-9
8.00	2221288-8
7.00	2221288-7
6.00	2221288-6
DIM "L"	PART NUMBER

- 1 PART NUMBER, DATE CODE AND "TE" MARKED ON CABLE MARKER.
- 2 LENGTH TOLERANCE ± 0.5%, ± .10 IN. MINIMUM.
- 3. VSWR: 1.3:1 MAX, DC - 12 GHz

THIS DRAWING IS A CONTROLLED DOCUMENT.		DWN	C.C.THOMAS	10-18-12				
DIMENSIONS: INCHES		CHK	D.WILSON	10-18-12				
TOLERANCES UNLESS OTHERWISE SPECIFIED:		APVD	D.WILSON	10-18-12	NAME			
0 PLC ± -		PRODUCT SPEC		RF CABLE ASSEMBLIES, SMPM FLOAT MOUNT FEMALE TO SMA R/A PLUG ON FLEX .086				
1 PLC ± -		APPLICATION SPEC		SIZE				
2 PLC ± -		WEIGHT		CAGE CODE				
3 PLC ± -		CUSTOMER DRAWING		DRAWING NO				
4 PLC ± -		SCALE		RESTRICTED TO				
ANGLES ± -		NTS		A2 00779 C=2221288				
FINISH		SHEET		1 of 1				
-		REV		B				