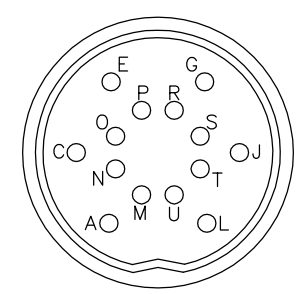
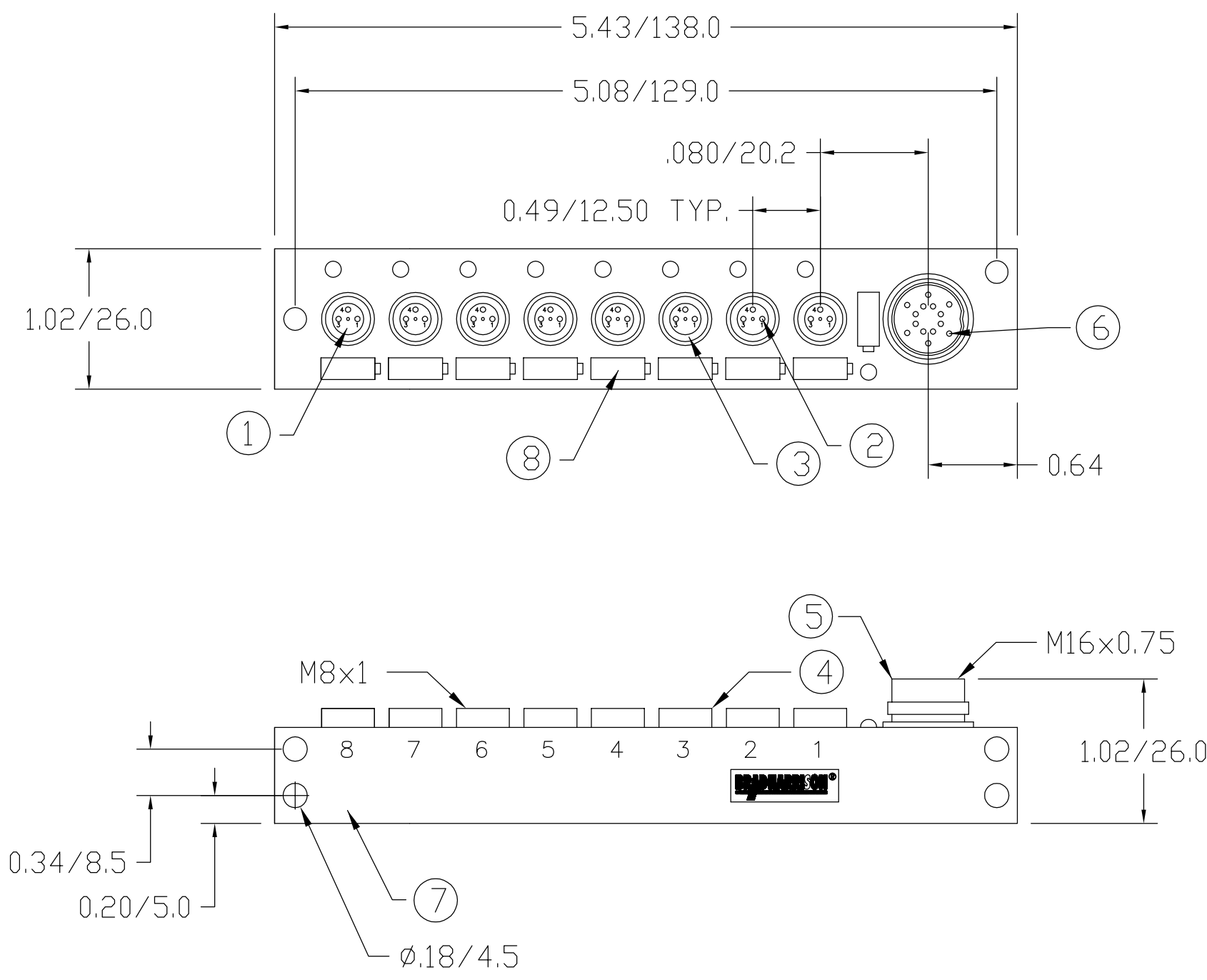
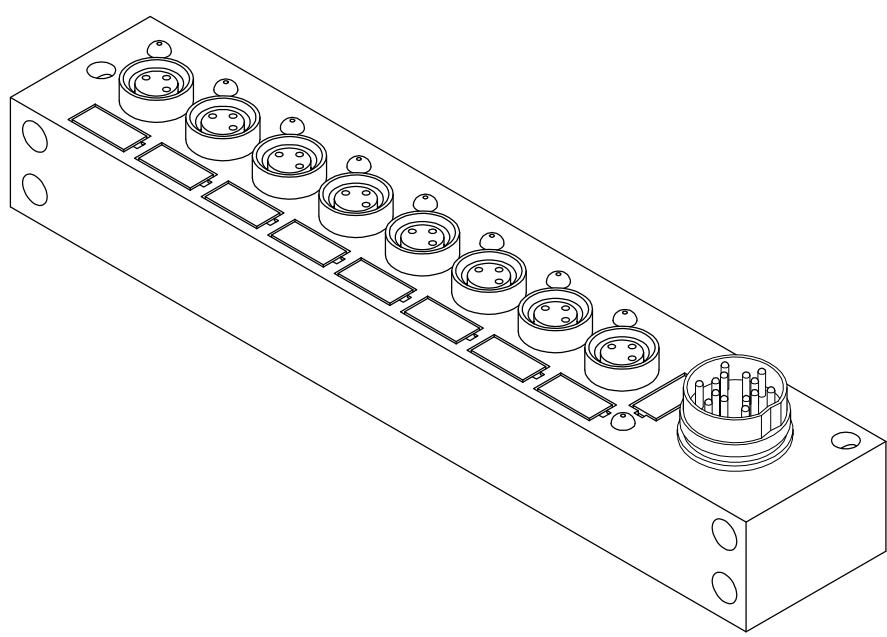
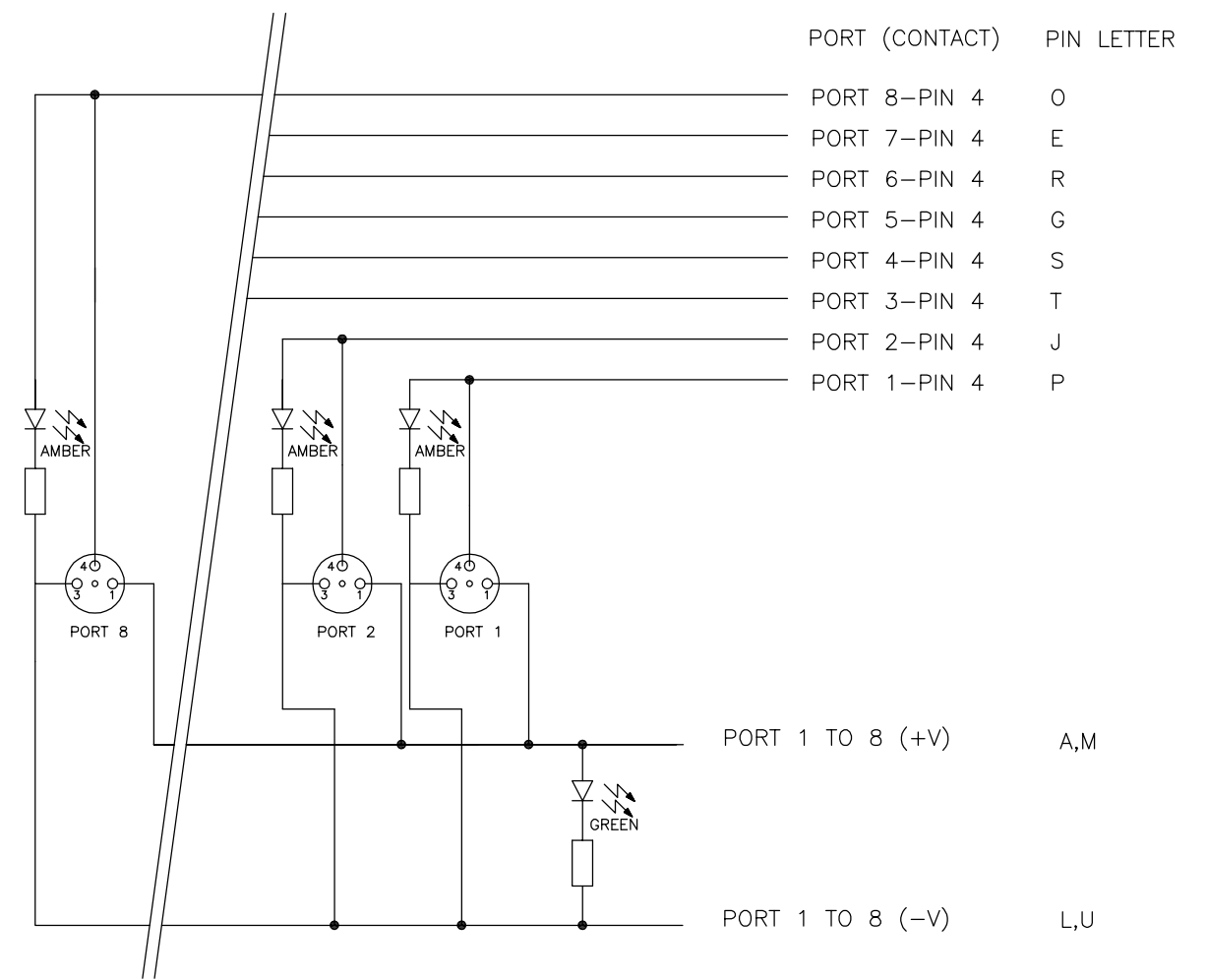
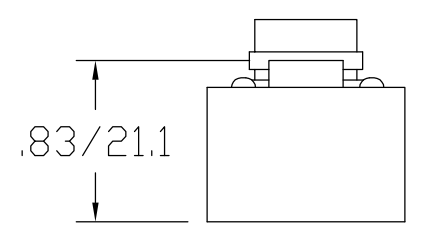


13	12	11	10	9	8	7	6	5	4	3	2	1
MATERIAL NUMBER	OLD PART NUMBER											
120113-0029	BNY801P-FBC											



FACE VIEW OF CONNECTOR



WIRING DIAGRAM

VOLTAGE RATING	10-30 VDC
AMPERAGE RATING PER PORT	2 AMPS
PROTECTION	IP67
OPERATING TEMPERATURE	-20°C TO 90°C

ITEM	COMPONENT	MATERIAL	FINISH
1	INSERT	POLYESTER	YELLOW
2	M8 CONTACT SOCKET	COPPER ALLOY	GOLD OVER NICKEL
3	O-RING	VITON	RED
4	M8 RECEPTACLE SHELL	BRASS	NICKEL PLATED
5	M16 RECEPTACLE SHELL	BRASS	NICKEL PLATED
6	M16 PIN CONTACT	BRASS	GOLD OVER NICKEL
7	HOUSING	NYLON	YELLOW
8	LABEL	ABS	WHITE

RELEASE DRAWING EC NO: WEU2010-0058 DRWN: LHARTMAN 8/21/09 CH'KD: BWOODMAN 2009/08/21 APPR: JFMURPHY 2009/08/21	QUALITY SYMBOL	GENERAL TOLERANCES (UNLESS SPECIFIED)	DIMENSION STYLE	SCALE	DESIGN UNITS	THIRD ANGLE PROJECTION														
	$\nabla=0$ $\sphericalangle=0$	<table border="1"> <tr> <td></td> <td>mm</td> <td>INCH</td> </tr> <tr> <td>4 PLACES</td> <td>±----</td> <td>±----</td> </tr> <tr> <td>3 PLACES</td> <td>±----</td> <td>±----</td> </tr> <tr> <td>2 PLACES</td> <td>±----</td> <td>±.01</td> </tr> <tr> <td>1 PLACE</td> <td>±0.3</td> <td>±----</td> </tr> </table>		mm	INCH		4 PLACES	±----	±----	3 PLACES	±----	±----	2 PLACES	±----	±.01	1 PLACE	±0.3	±----	IN/MM	NTS
		mm	INCH																	
	4 PLACES	±----	±----																	
3 PLACES	±----	±----																		
2 PLACES	±----	±.01																		
1 PLACE	±0.3	±----																		
REV	DESCRIPTION	DRAFT WHERE APPLICABLE MUST REMAIN WITHIN DIMENSIONS	DRAWN BY DATE LHARTMAN 2009/08/21	TITLE NANO-CHANGE MPIS 8 PORT PNP CONNECTORIZD 14 POLE M16 CONNECTOR		SHEET NO. 1 OF 1														
A		APPROVED BY DATE BWOODMAN 2009/08/21	MATERIAL NO. SEE CHART	DOCUMENT NO. SD-120113-009	MOLEX INCORPORATED															

DRAWN BY DATE LHARTMAN 2009/08/21	CHECKED BY DATE BWOODMAN 2009/08/21	APPROVED BY DATE BWOODMAN 2009/08/21	MATERIAL NO. SEE CHART	DOCUMENT NO. SD-120113-009	SHEET NO. 1 OF 1
THIS DRAWING CONTAINS INFORMATION THAT IS PROPRIETARY TO MOLEX INCORPORATED AND SHOULD NOT BE USED WITHOUT WRITTEN PERMISSION					