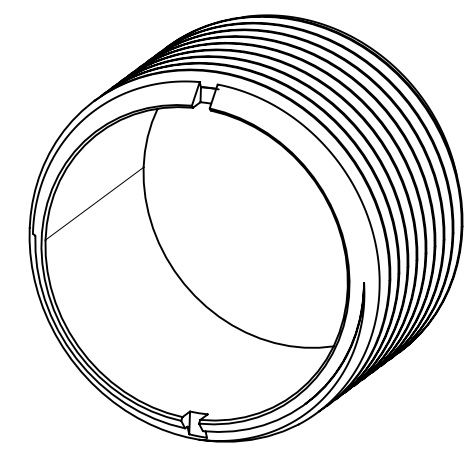
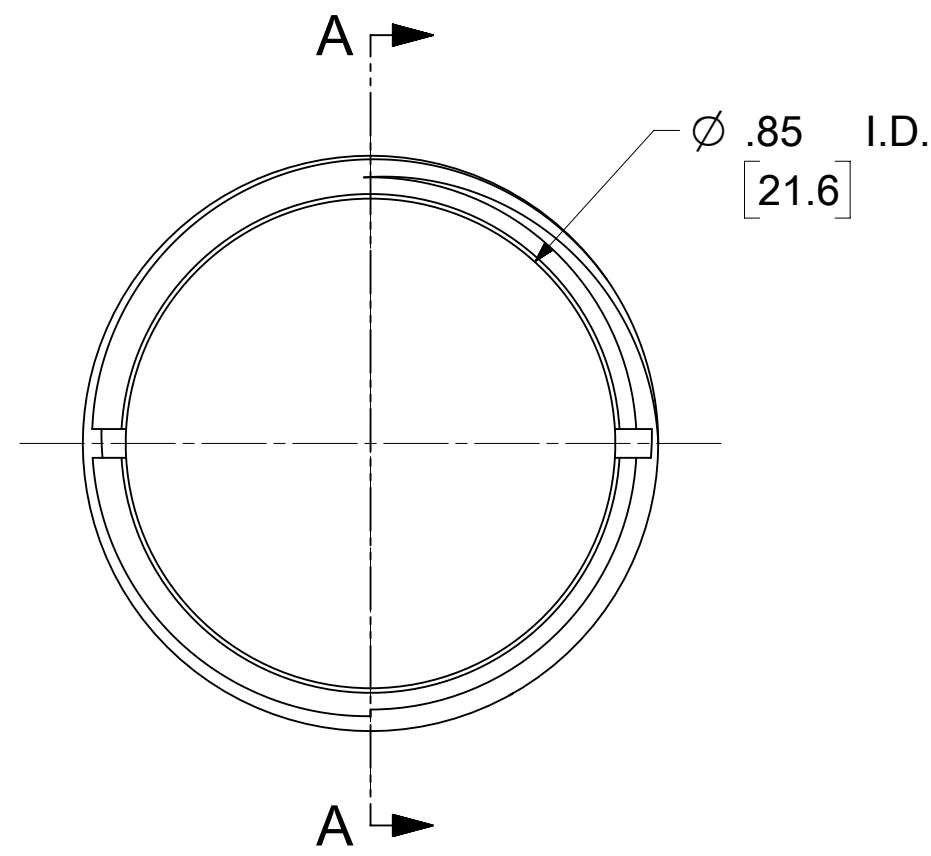
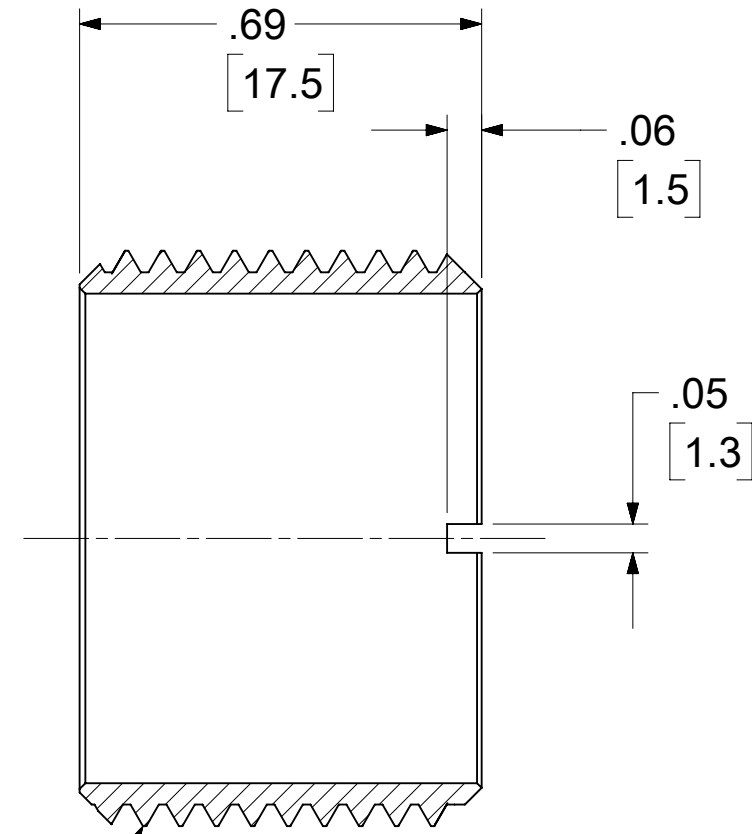


MATERIAL NO.	ENGINEERING NO.	FINISH	MATERIAL
1302011226	55-0466	CLEAR ANODIZE	ALUMINUM
1302011227	55-0466SS	PASSIVATED	ST. STEEL



SCALE 2:1

1-16 UN-2A THD
SECTION A-A

NOTE: (C)
ALL DIMENSIONS ARE FOR REFERENCE UNLESS TOLERANCED OR OTHERWISE NOTED

THIS DRAWING CONTAINS INFORMATION THAT IS PROPRIETARY TO MOLEX ELECTRONIC TECHNOLOGIES, LLC AND SHOULD NOT BE USED WITHOUT WRITTEN PERMISSION									
FUNCTIONAL SYMBOLS	DIMENSION UNITS		SCALE		CURRENT REV DESC: NOTE ADDED				
	INCH/MM		2:1						
DIVISIONAL SYMBOLS	GENERAL TOLERANCES (UNLESS SPECIFIED)				EC NO: 701162 DRWN: AKABADI 2022/01/12 CHKD: RSTONE 2022/03/30 APPR: BWOODMAN 2022/04/08 INITIAL REVISION: DRWN: BRUPERT 2009/08/24 APPR: JFMURPHY 2009/08/27				
		MM	INCH						
	4 PLACES	±	±						
	3 PLACES	±	±						
	2 PLACES	±	±						
1 PLACE	±	±							
0 PLACES	±	±							
	ANGULAR TOL		±	°	DOCUMENT NUMBER: SD-130201-226 DOC TYPE: PSD DOC PART: 001 REVISION: C				
DRAFT WHERE APPLICABLE MUST REMAIN WITHIN DIMENSIONS				THIRD ANGLE PROJECTION	DRAWING	SERIES	MATERIAL NUMBER	CUSTOMER	SHEET NUMBER
					B-SIZE	130201	SEE TABLE	GENERAL MARKET	1 OF 1

DOCUMENT STATUS	P1	RELEASE DATE	2022/04/08	14:05:57
-----------------	----	--------------	------------	----------