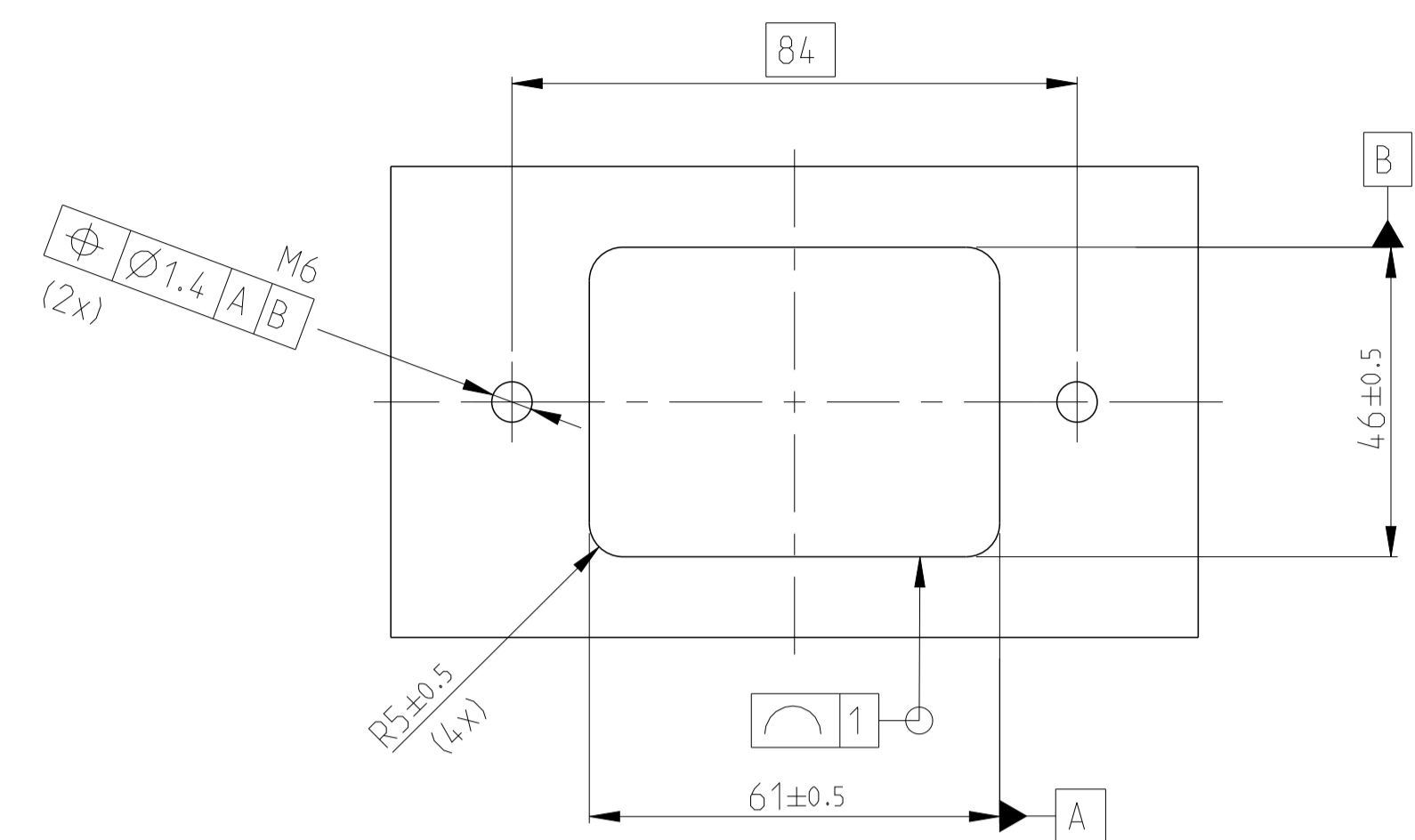
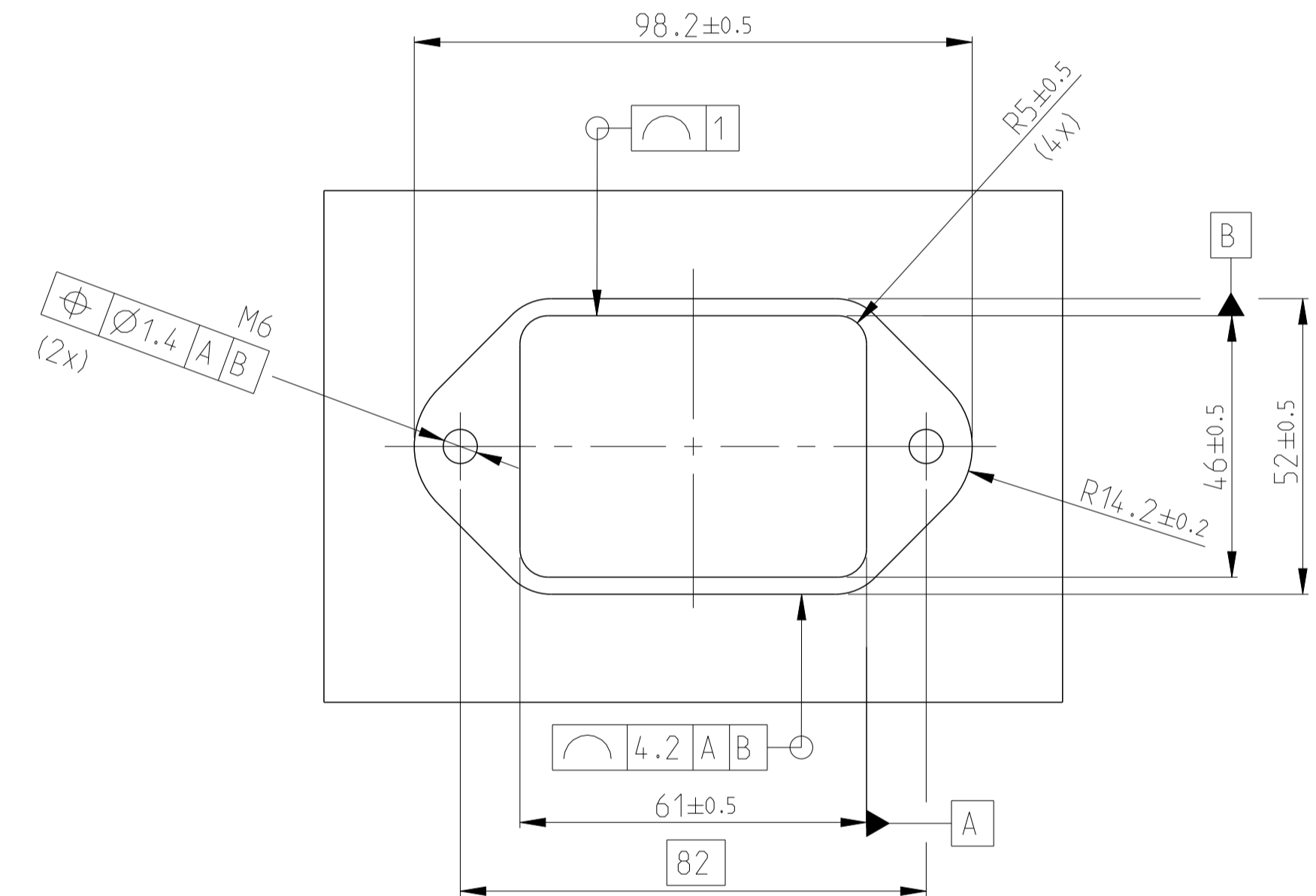


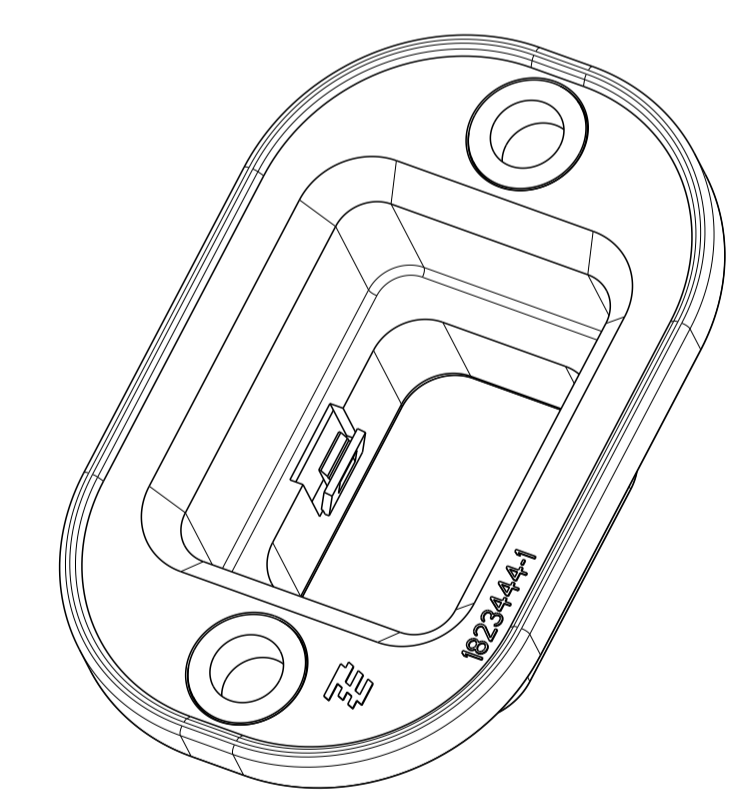
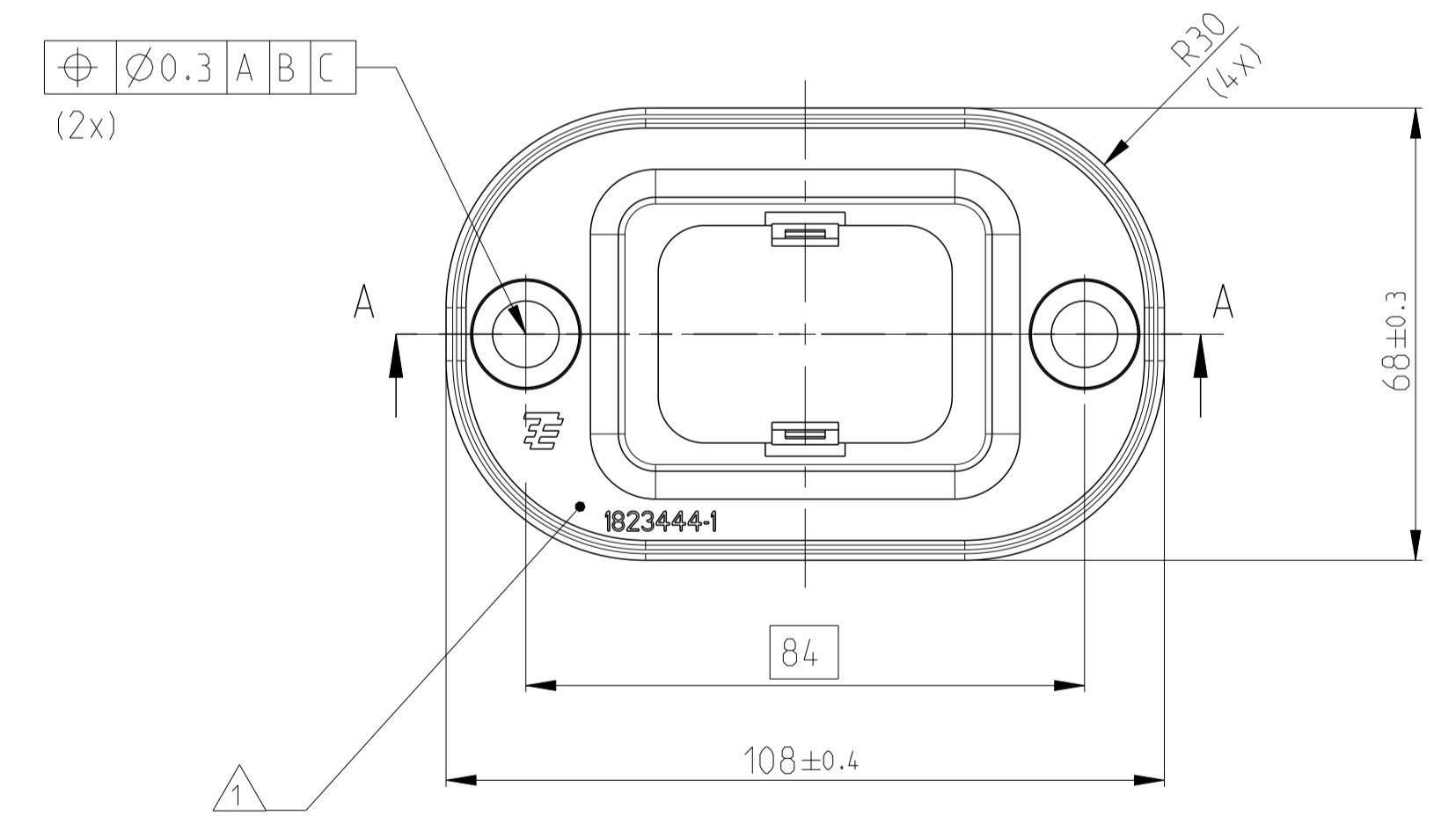
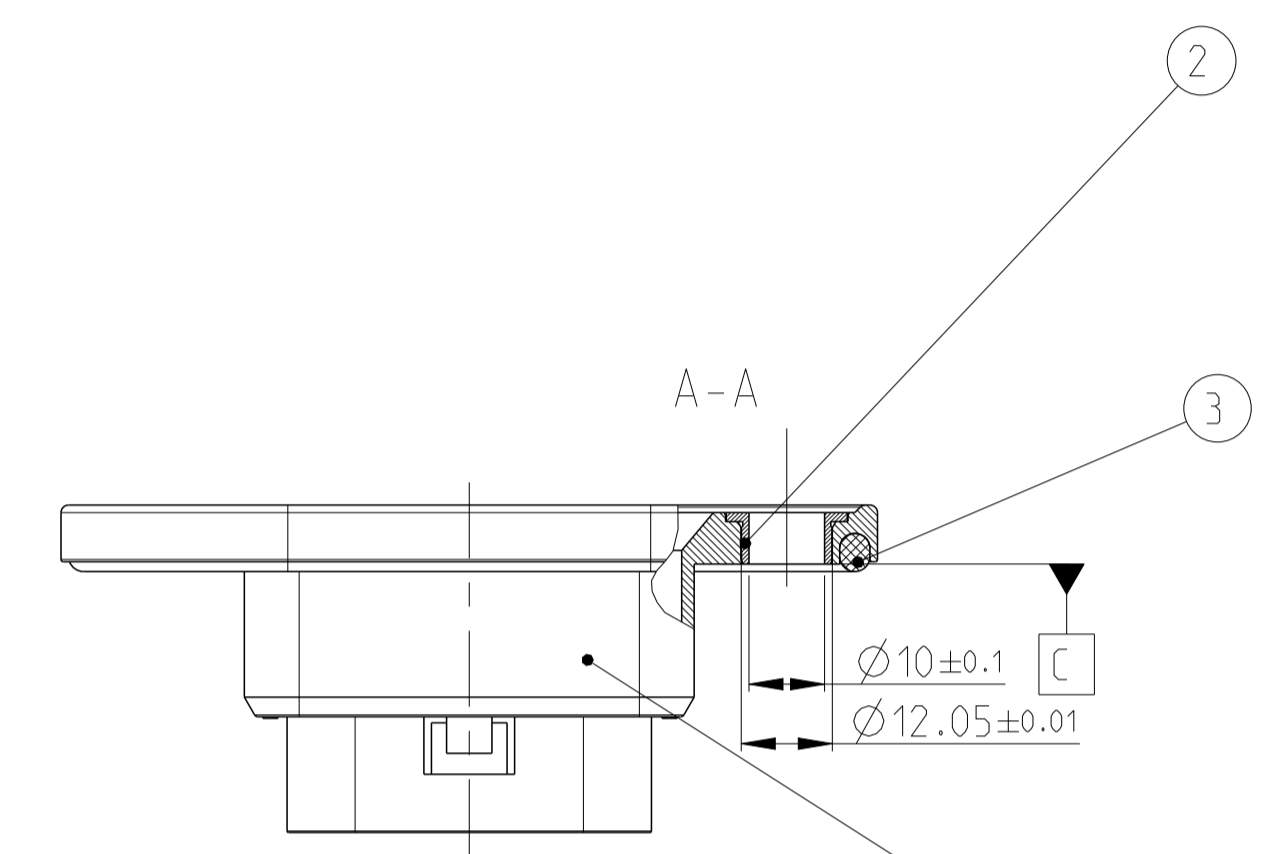
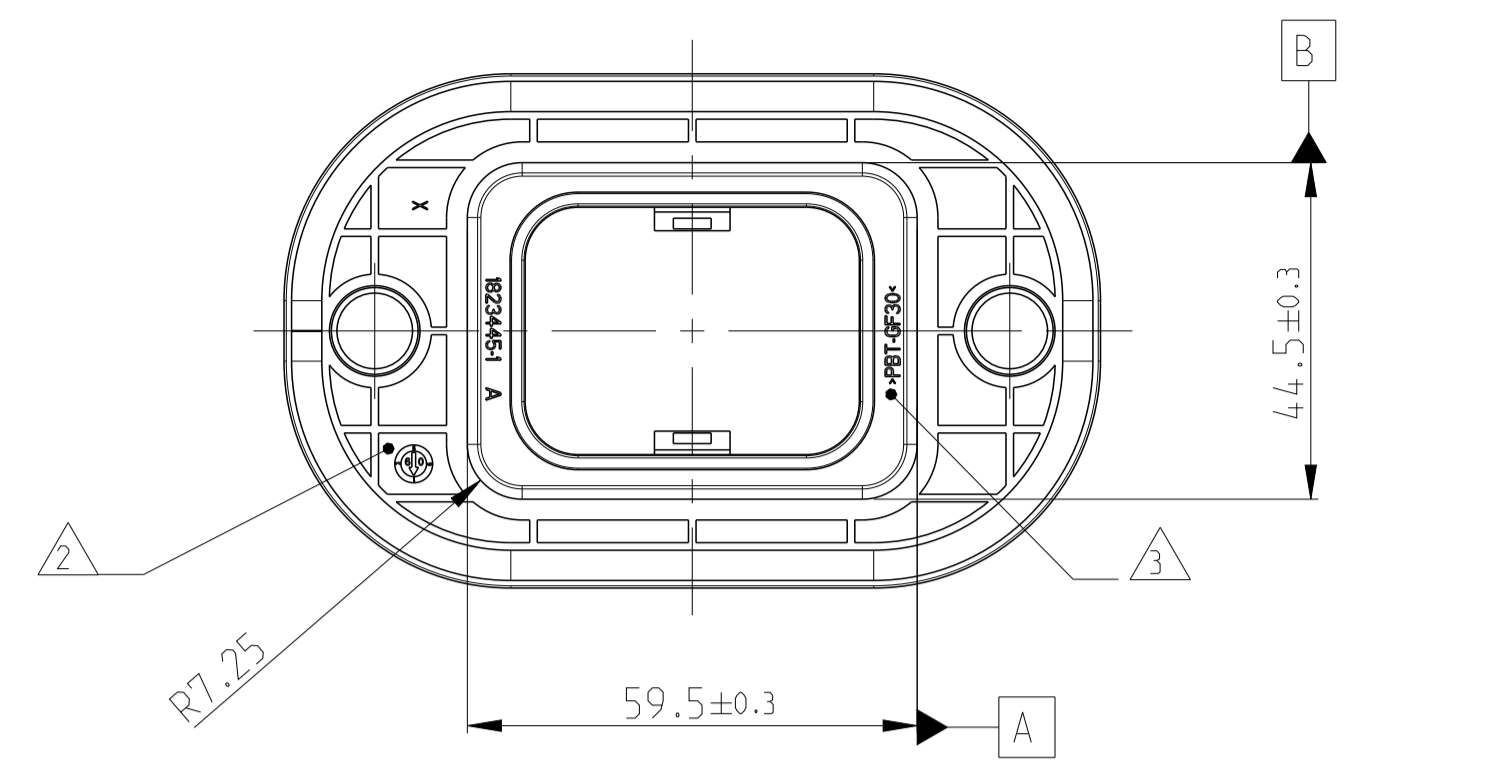
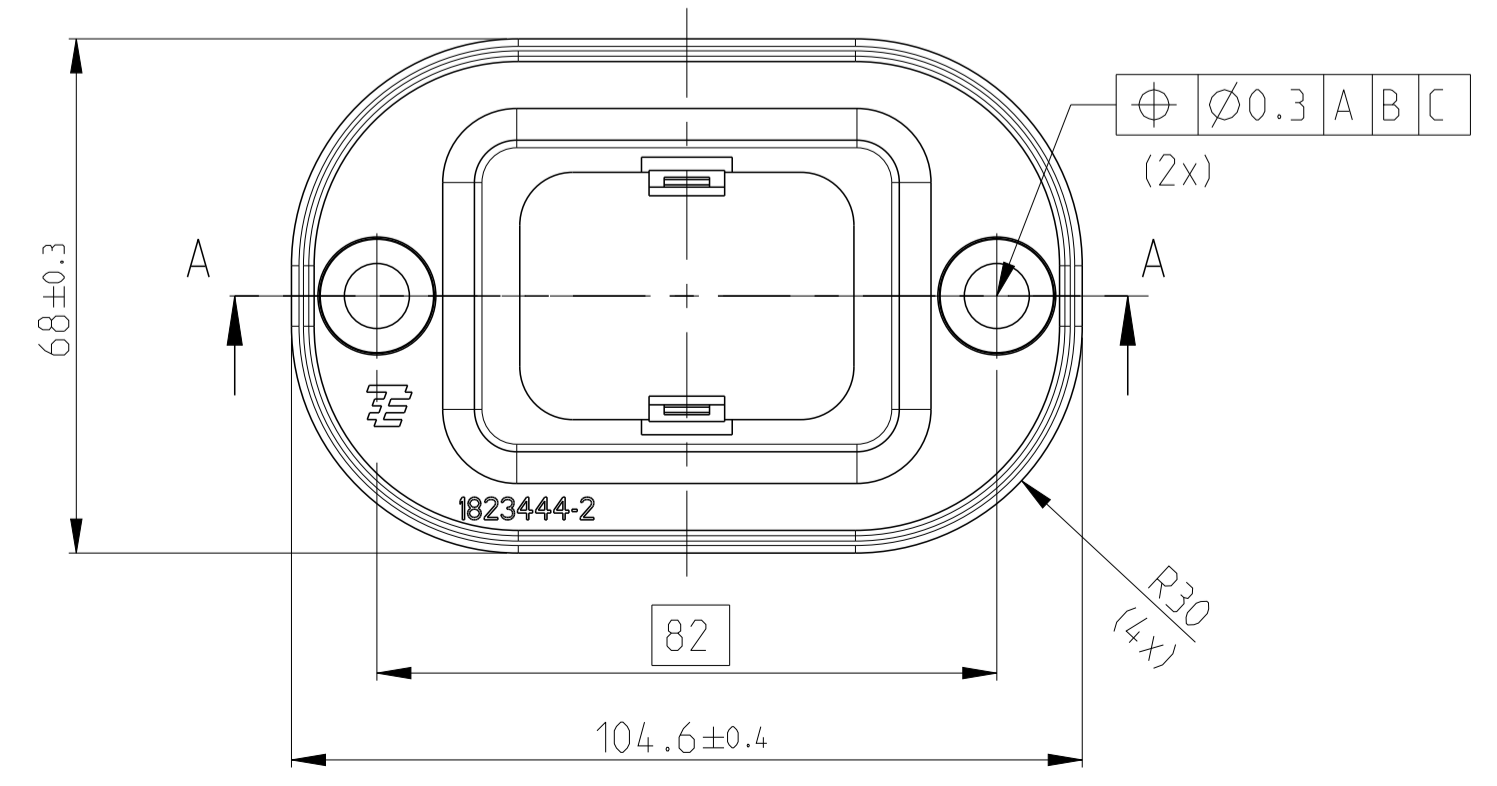
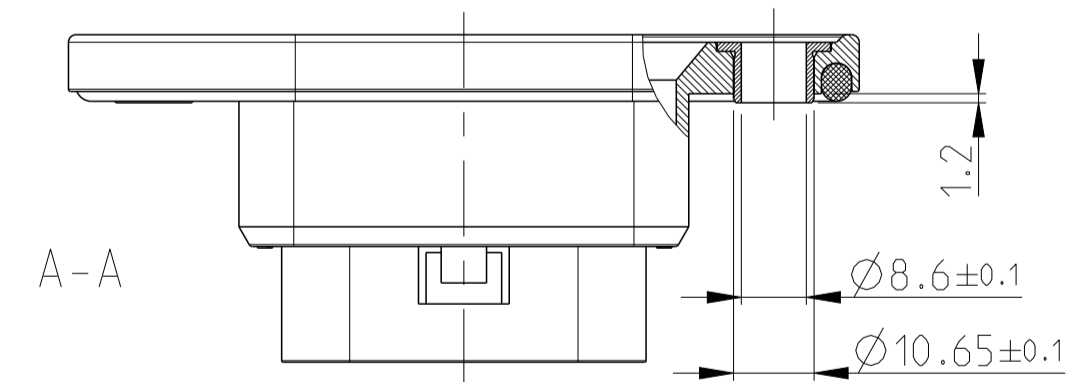
METAL BRACKET CUT OUT FOR 1823444-1  
Metallausschnitt



METAL BRACKET CUT OUT FOR 1823444-2  
Metallausschnitt



1823444-2



REVISIONS		DATE	DWN	APVD
P	LTN	DESCRIPTION		
A		DRAWING CREATED	27MAY2009	HH
A1		NOTE 7 CHANGED SEE PCN E-10-004330	26FEB2010	NP
B		SEAL CHANGED SEE PCN E-16-008754	16JUN2016	NP
C		SEAL CHANGED SEE PCN E-17-005712	20APR2017	NP

- NOTES  
Bemerkungen
- TE NUMBER AND LOGO  
TE Nummer und Logo
  - PRODUCTION DATE  
Produktionsdatum
  - MATERIAL MARKING ACC. TO VDA 260  
Werkstoffkennzeichnung nach VDA 260
  - FITS TO TE TAB HOUSING 1823448  
Passend zu TE Flachsteckergehüse 1823448
  - LAYER PACKAGING IN CORRUGATED BOX  
Lagenverpackung im Versandkarton
  - ALL SYMMETRY DIMENSIONS  $\pm 0.1$   
Alle Symmetriemaße  $\pm 0.1$
  - MAX. TORQUE OF FIXATION SCREW 11.5 Nm  
max. Anschraubmoment der Befestigungsschraube 11.5 Nm
  - MAJFUNCTION CAUSED BY LACQUER IS NOT COVERED BY TE WARRANTY.  
Funktionsbeeinträchtigung durch Lackieren liegt nicht im Einfluss und Gewährleistungsumfang von TE

REV.	QTY	MAT.	COLOUR	DESCRIPTION	REV.	ITEM
TE ORDER-NO.	REV.	QTY	MAT.	DESCRIPTION	REV.	ITEM
1823444-2	C	1	EPDM FOAM	BLACK schwarz	C	B 3
		2	STAINLESS	-		A 2
		1	PBT-GF30	BLACK schwarz		A 1
1823444-1	C	1	EPDM FOAM	BLACK schwarz	C	B 3
		2	STAINLESS	-		A 2
		1	PBT-GF30	BLACK schwarz		A 1

THIS DRAWING IS A CONTROLLED DOCUMENT. DIMENSIONS: mm. TOLERANCES: UNLESS OTHERWISE SPECIFIED: ALUMINUM PARTS: ACC. TO ISO 8015 / DIN 16901-10. OTHER FINISHES: SEE TABLE. FINISHES: SEE TABLE. WEIGHT: 60g. CUSTOMER DRAWING.

DWN: V.Deas, 23FEB2009. CHK: F.Eltrop, 13MAY2009. APVD: Ch.Eberwein, 15MAY2009. NAME: Adapter fuer A Saule UNSEALED / ungedichtet. DRAWING NO: 1823444. SCALE: 1:1. SHEET: 1 VON 1. REV: C.

TE Connectivity logo and product information.