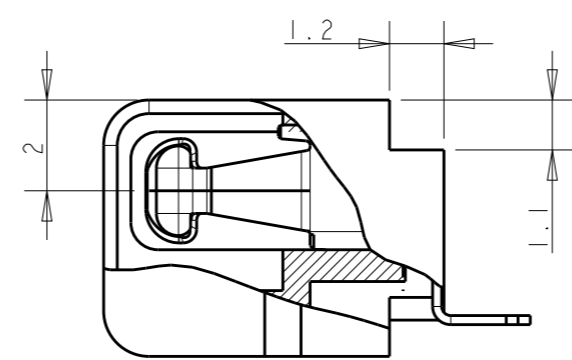
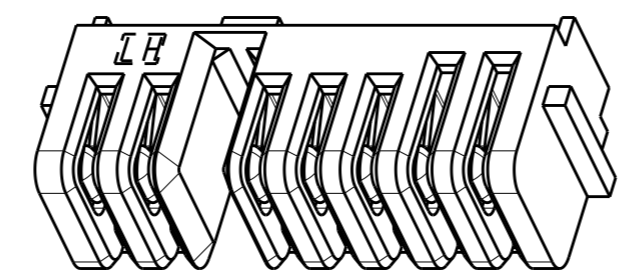
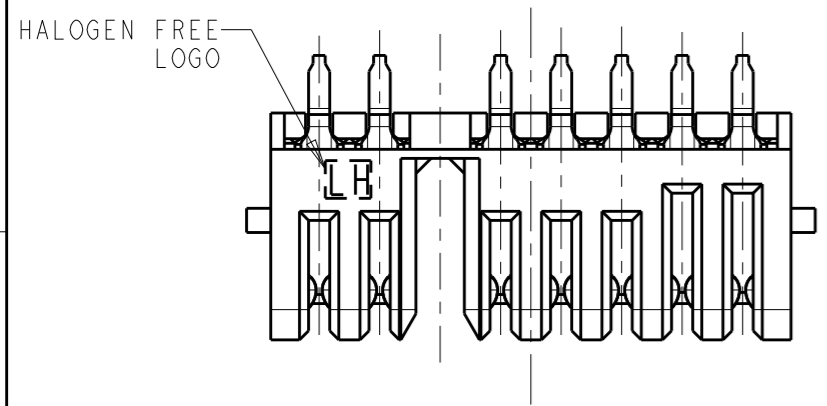
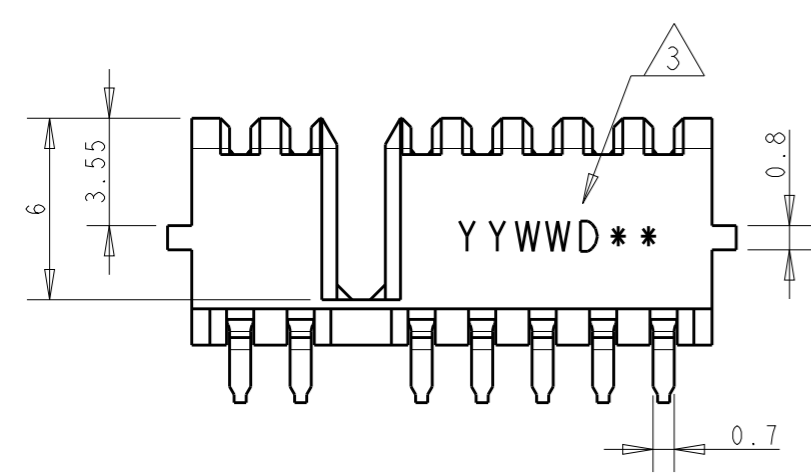
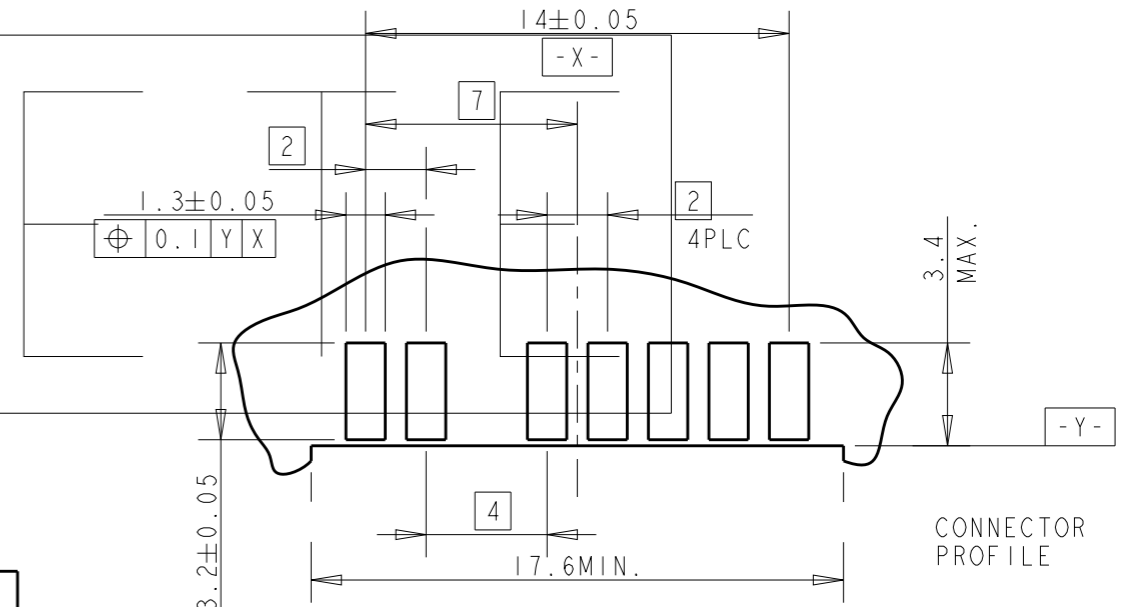
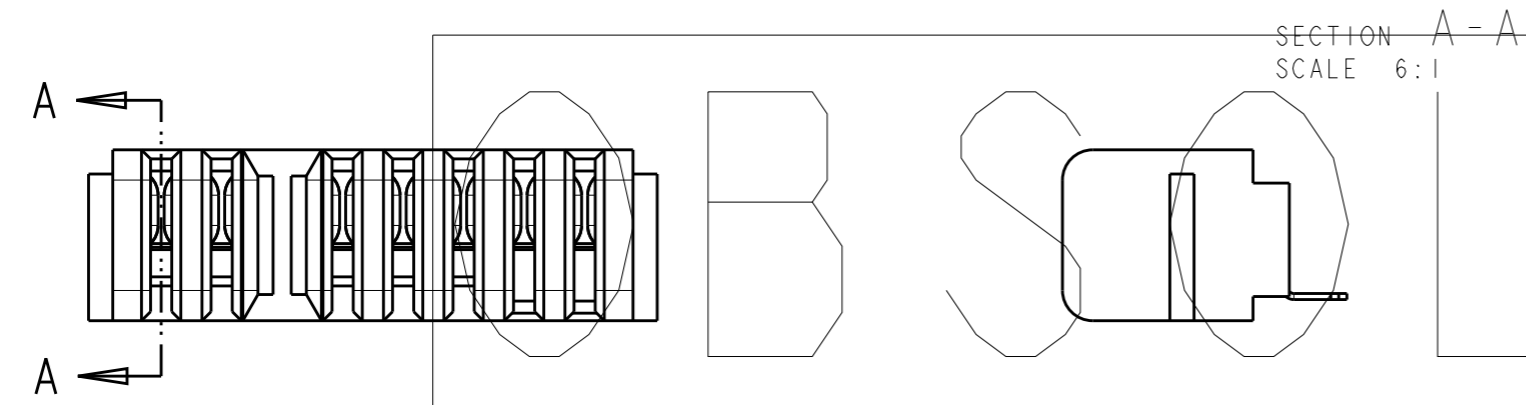


LOC	DIST	REVISIONS			
P	LTR	DESCRIPTION	DATE	DWN	APVD
ES	-	B	RELEASED PER ECR-07-023182	15OCT2007	A.S S.Y
		B2	ADDED NEW DASH NUMBER	12NOV2008	TY SY
		B3	ADDED HALOGEN FREE LOGO	20NOV2008	TY SY
		B4	REVISE (ECO-19-002267)	21FEB2019	K.G W.H



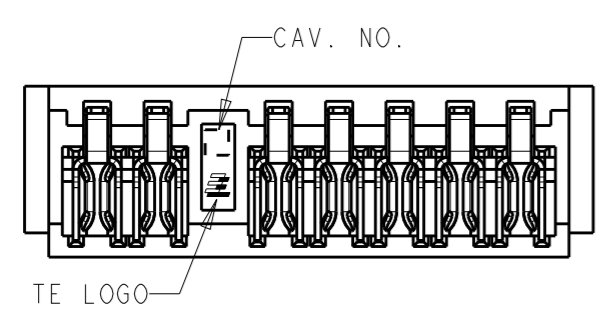
- 1 MATERIAL
HOUSING: THERMOPLASTIC RESIN, UL94V-0, BLACK
CONTACT: COPPER ALLOY
- 2 FINISH
CONTACT: NICKEL ALL OVER UNDERPLATING
GOLD PLATING AT CONTACT AREA
TIN PLATING AT SOLDER AREA
- 3 DATE CODE: 7 DIGIT NUMBER.



THIS PRINT IS
PRELIMINARY
 UNQUALIFIED PRODUCT
 CONTACT PRODUCT ENGINEERING
 BEFORE USING THIS PRINT

REFERENCE PCB LAYOUT
 PCB THICKNESS 0.8~1.2
 (VIEW FROM CONNECTOR MOUNTING SIDE)

THERMOPLASTIC RESIN (HALOGEN FREE)	1-1932008-1
THERMOPLASTIC RESIN	1932008-1
HOUSING MATERIAL	P/N



THIS DRAWING IS A CONTROLLED DOCUMENT FOR TYCO ELECTRONICS CORPORATION IT IS SUBJECT TO CHANGE AND THE CONTROLLING ENGINEERING ORGANIZATION SHOULD BE CONTACTED FOR THE LATEST REVISION.		DWN 29APR2007 ALEX SHOAL	Tyco Electronics Corporation Shanghai P.R.CHINA 200233
DIMENSIONS: mm		CHK 29APR2007 WENKE HE	
TOLERANCES UNLESS OTHERWISE SPECIFIED:		APVD 29APR2007 STEVEN YAO	
0 PLC ±- 1 PLC ±0.3 2 PLC ±0.3 3 PLC ±0.3 4 PLC ±- ANGLES ±-		PRODUCT SPEC 108-78292 APPLICATION SPEC -	
MATERIAL	FINISH	WEIGHT 0.87g	NAME RECEPTACLE ASSEMBLY 2.0mm PITCH 7POS. BATTERY CONNECTOR
1	2	CUSTOMER DRAWING	SIZE A3 CAGE CODE 00779 DRAWING NO. 1932008 RESTRICTED TO
		SCALE 7:1	SHEET 1 OF 2 REV B4

4

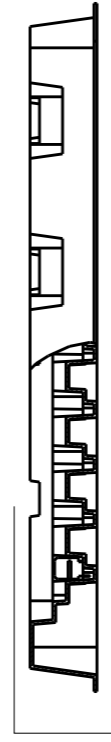
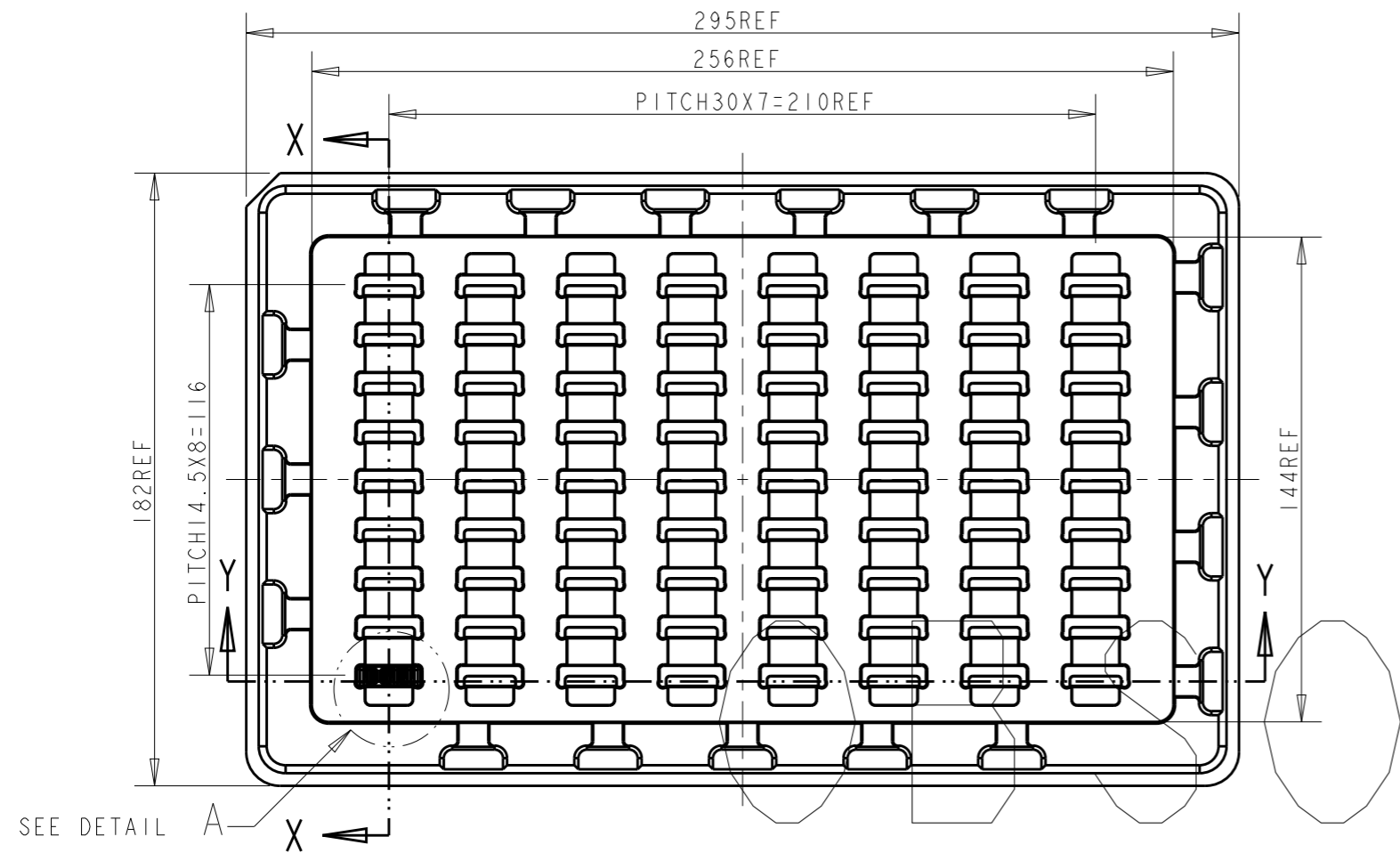
3

2

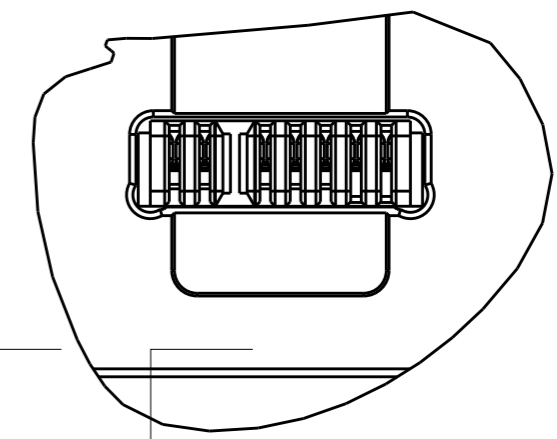
1

THIS DRAWING IS UNPUBLISHED. RELEASED FOR PUBLICATION 20
 © COPYRIGHT 20 BY TYCO ELECTRONICS CORPORATION. ALL RIGHTS RESERVED.

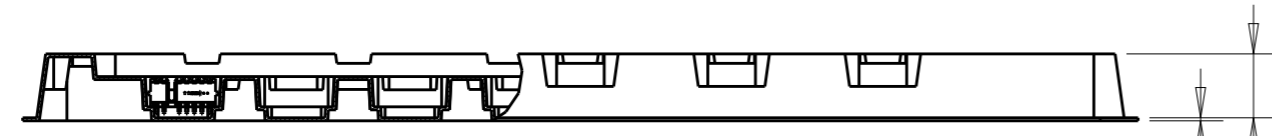
LOC	DIST	REVISIONS			
P	LTR	DESCRIPTION	DATE	DWN	APVD
ES	-	SEE SHEET 1	-	-	-



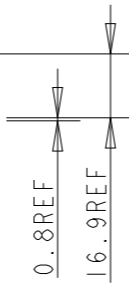
SECTION X-X



DETAIL A
SCALE 2:1



SECTION Y-Y



AS SHOWN: 1932008-1/1-1932008-1
72PCS/TRAY

THIS PRINT IS
PRELIMINARY
 UNQUALIFIED PRODUCT
 CONTACT PRODUCT ENGINEERING
 BEFORE USING THIS PRINT

<small>THIS DRAWING IS A CONTROLLED DOCUMENT FOR TYCO ELECTRONICS CORPORATION IT IS SUBJECT TO CHANGE AND THE CONTROLLING ENGINEERING ORGANIZATION SHOULD BE CONTACTED FOR THE LATEST REVISION.</small>	
DIMENSIONS: mm	TOLERANCES UNLESS OTHERWISE SPECIFIED: 0 PLC ±- 1 PLC ±0.3 2 PLC ±0.3 3 PLC ±0.3 4 PLC ±- ANGLES ±-
MATERIAL -	FINISH -

DWN ALEX SHOAL 29APR2007	Tyco Electronics Corporation Shanghai P.R.CHINA 200233
CHK WENKE HE 29APR2007	
APVD STEVEN YAO 29APR2007	
PRODUCT SPEC 108-78292	NAME RECEPTACLE ASSEMBLY 2.0mm PITCH 7POS. BATTERY CONNECTOR
APPLICATION SPEC -	SIZE A3
WEIGHT 0.87g	CAGE CODE 00779
CUSTOMER DRAWING	DRAWING NO G-1932008
SCALE 7:1	
SHEET 2 OF 2	
REV B4	