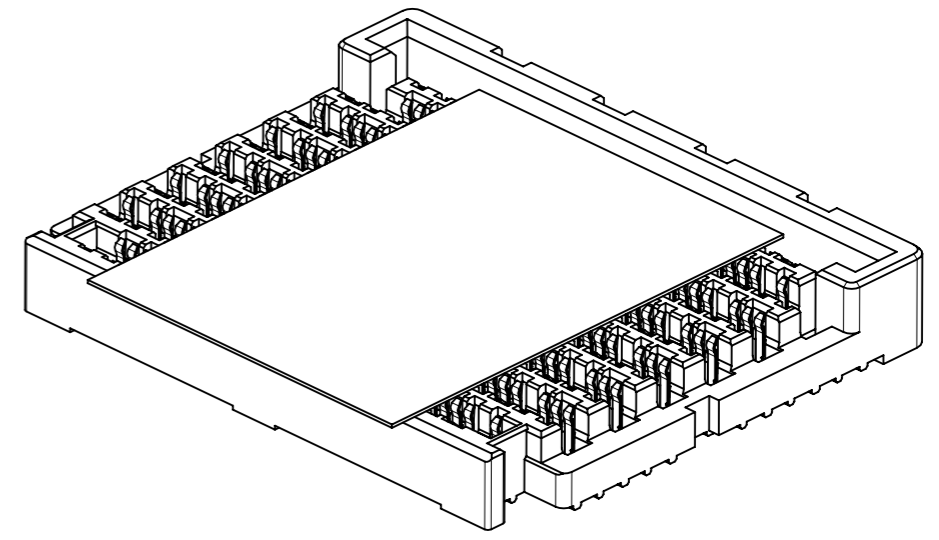
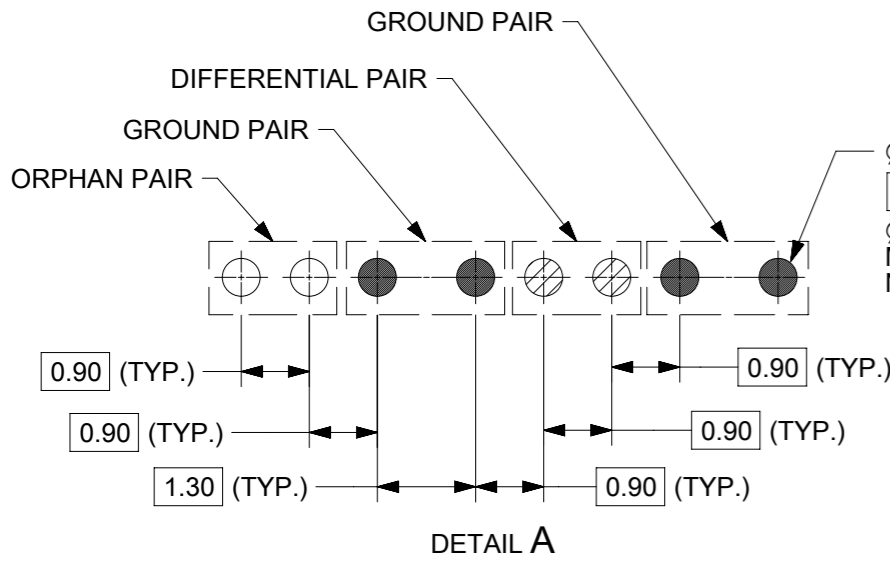


NOTES:

- MATERIALS: HOUSING - HIGH TEMPERATURE THERMOPLASTIC, UL94V-0  
TERMINALS - HIGH PERFORMANCE COPPER ALLOY  
SOLDER BALL - LEAD FREE SAC SOLDER ALLOY
- FINISH: 30μ" GOLD ON ALL CONTACT AREA.  
50μ" MIN. NICKEL OVERALL.
- PRODUCT SPECIFICATION: 2028280001 PS.
- PACKAGING SPECIFICATION: 202828XXXX.
- SEE SHEET 2 FOR PCB LAYOUT.
- REFER TO PCB LAYOUT FOR THE POSITION OF DIFFERENTIAL PAIR AND ORPHAN PAIR, AND REFER TO 2028280001-AS FOR MORE DETAILS.
- FOR ILLUSTRATION PURPOSES, CONNECTOR USED IN THIS DRAWING IS 202828-1506, 6 DIFFERENTIAL PAIR(IN ZONE II) X 15 ROW.
- FOR ILLUSTRATION PURPOSES, PIN MAPPINGS OF 202828-1506/1115/0506 ARE SHOWN IN SHEET 4 & 5.



THIS DRAWING CONTAINS INFORMATION THAT IS PROPRIETARY TO MOLEX ELECTRONIC TECHNOLOGIES, LLC AND SHOULD NOT BE USED WITHOUT WRITTEN PERMISSION									
DIMENSION UNITS <b>mm</b>		SCALE <b>NTS</b>		CURRENT REV DESC:				<b>molex</b>	
GENERAL TOLERANCES (UNLESS SPECIFIED)		EC NO: 667167		DRWN: HCGOH 2020/06/05		MIRROR MEZZ, 2.5MM HEIGHT			
ANGULAR TOL ± °		4 PLACES ±		CHK'D: NZENG 2021/06/16		PRODUCT CUSTOMER DRAWING		DOCUMENT NUMBER	
3 PLACES ±		2 PLACES ± 0.2		APPR: SHONG 2021/06/18		INITIAL REVISION:		2028280002	
1 PLACE ±		1 PLACE ±		DRWN: HCGOH 2017/03/02		APPR: SHONG 2018/01/19		DOC TYPE DOC PART REVISION	
0 PLACES ±		DRAFT WHERE APPLICABLE MUST REMAIN WITHIN DIMENSIONS		THIRD ANGLE PROJECTION		DRAWING		SERIES	
				A3-SIZE		202828		MATERIAL NUMBER	
				SEE CHART		CUSTOMER		GENERAL MARKET	
								SHEET NUMBER	
								1 OF 5	

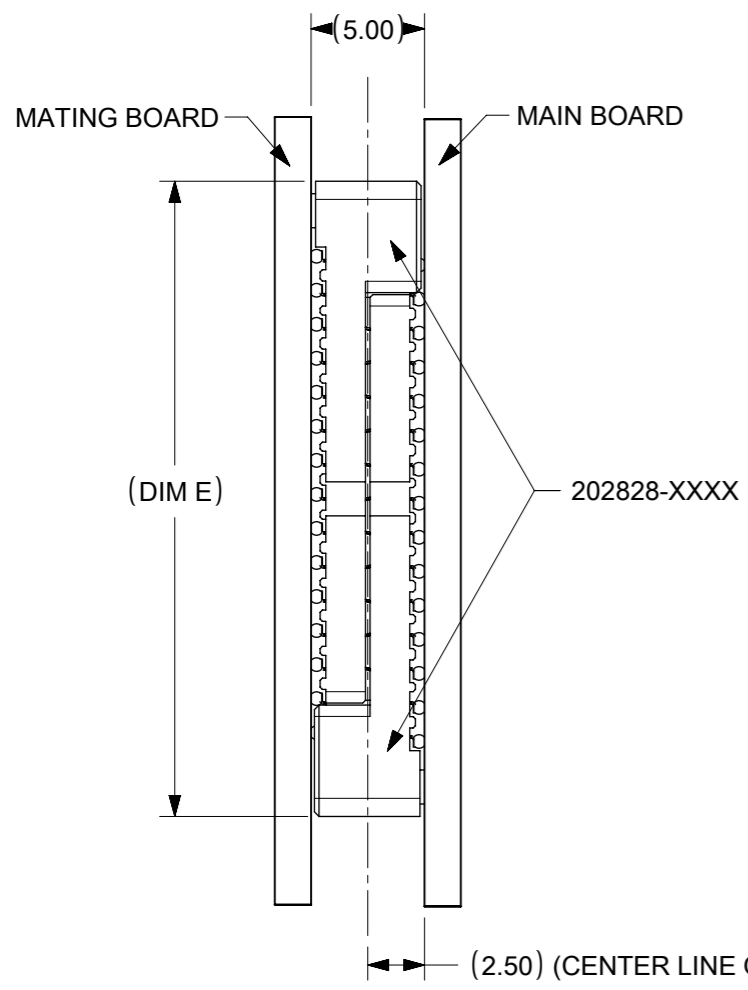
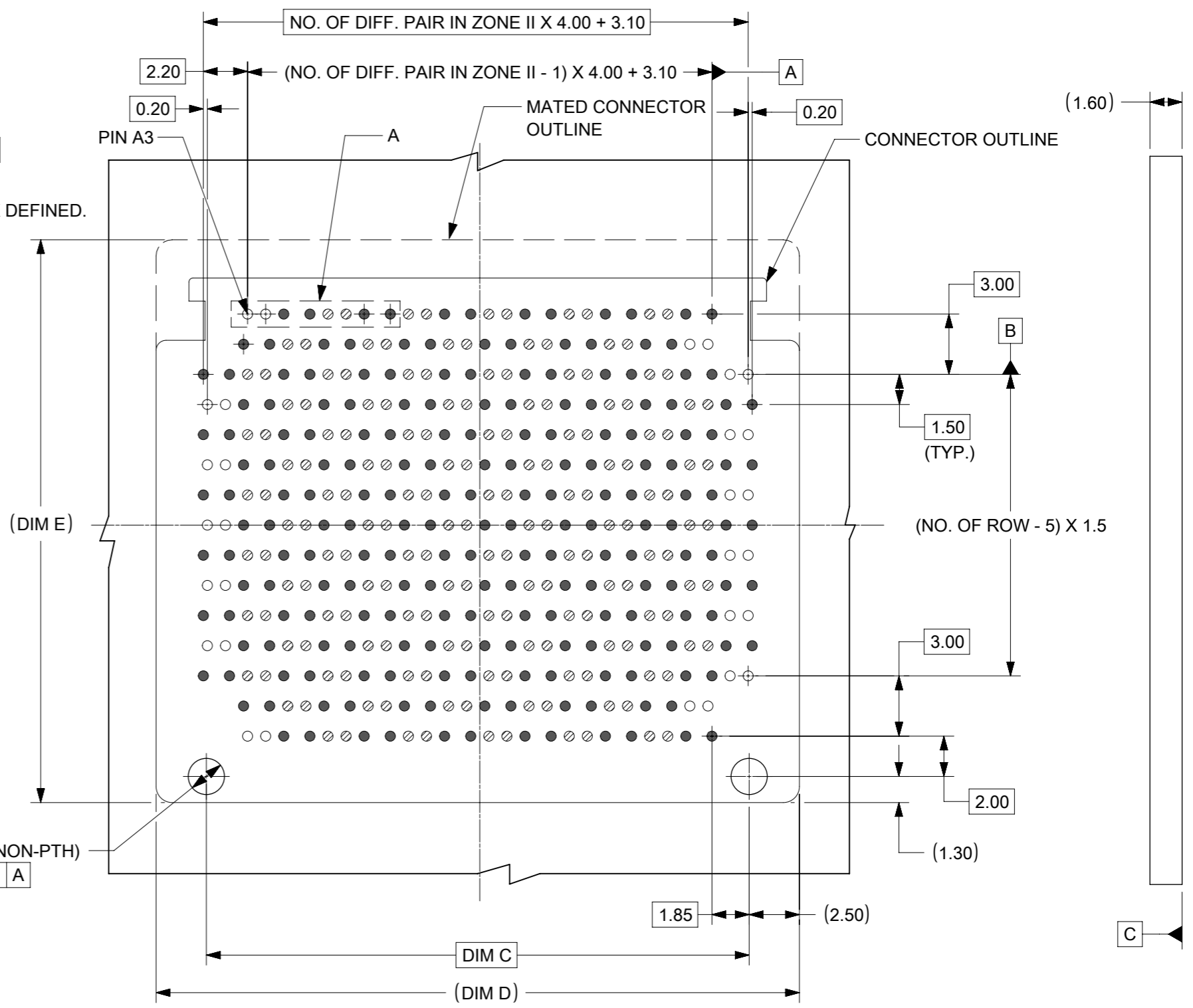


Ø0.50±0.05 PAD

⊕	Ø0.05	C	B	A
---	-------	---	---	---

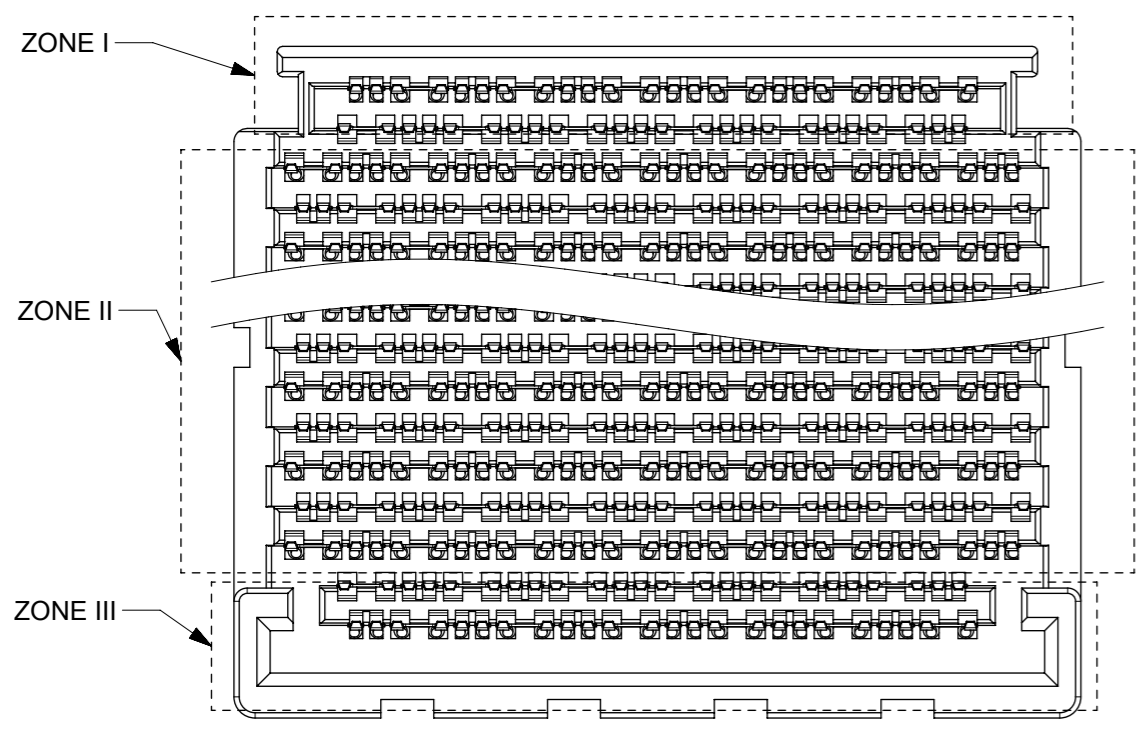
Ø0.60±0.05 SOLDER MASK APERTURE

NON-SOLDER MASK DEFINED.



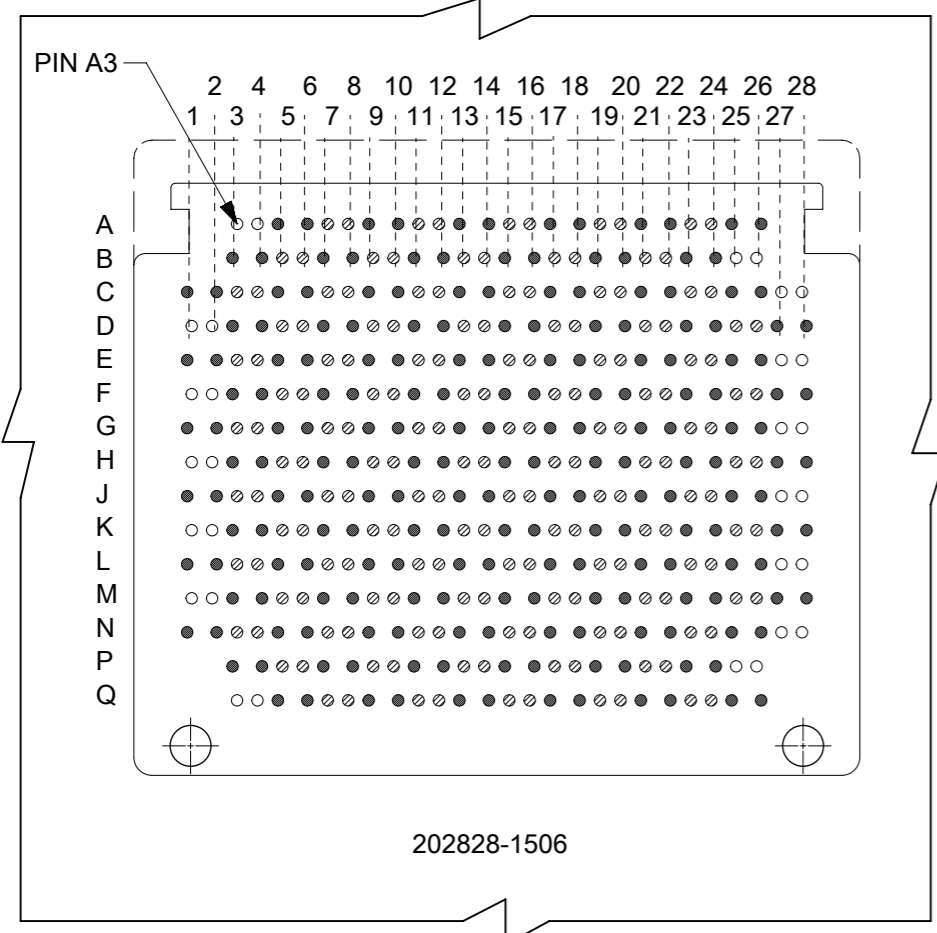
THIS DRAWING CONTAINS INFORMATION THAT IS PROPRIETARY TO MOLEX ELECTRONIC TECHNOLOGIES, LLC AND SHOULD NOT BE USED WITHOUT WRITTEN PERMISSION											
DIMENSION UNITS		SCALE		CURRENT REV DESC:						<b>molex</b>	
mm		NTS									
GENERAL TOLERANCES (UNLESS SPECIFIED)				EC NO: 667167						MIRROR MEZZ, 2.5MM HEIGHT	
ANGULAR TOL ± °				DRWN: HCGOH 2020/06/05							
4 PLACES ±				CHK'D: NZENG 2021/06/16							
3 PLACES ±				APPR: SHONG 2021/06/18							
2 PLACES ± 0.2				INITIAL REVISION:						PRODUCT CUSTOMER DRAWING	
1 PLACE ±				DRWN: HCGOH 2017/03/02						DOCUMENT NUMBER	
0 PLACES ±				APPR: SHONG 2018/01/19						2028280002	
DRAFT WHERE APPLICABLE MUST REMAIN WITHIN DIMENSIONS		THIRD ANGLE PROJECTION		DRAWING		SERIES		MATERIAL NUMBER		CUSTOMER	
		⊕		A3-SIZE		202828		SEE CHART		GENERAL MARKET	
SHEET NUMBER		2 OF 5		REVISED		REVISED		REVISED		REVISED	

MATERIAL NO.	NO. OF ROW (ZONE I, II & III)	NO. OF DIFFERENTIAL PAIR PER ROW IN ZONE II (EXCLUDING ORPHAN PAIR)	NO. OF DIFFERENTIAL PAIR PER ROW IN ZONE I & III (EXCLUDING ORPHAN PAIR)	TOTAL NO. OF DIFFERENTIAL PAIR (EXCLUDING ORPHAN PAIR)	TOTAL NO. OF ORPHAN PAIR	TOTAL NO. OF S. BALL	DIM A	DIM B	DIM C	DIM D	DIM E	DIM F	DIM G
202828-0506	05	06	05	26	05	124	32.00	11.10	27.0	32.0	13.00	9.6	6.6
202828-0508		08	07	36		164	40.00		35.0	40.0			10.6
202828-0706	07	06	05	38	07	180	32.00	14.10	27.0	32.0	16.00	12.3	6.6
202828-0708		08	07	52		236	40.00		35.0	40.0			10.6
202828-1106	11	06	05	62	11	292	32.00	20.10	27.0	32.0	22.00	18.8	6.6
202828-1108		08	07	84		380	40.00		35.0	40.0			10.6
202828-1112		12	11	128		556	56.00		51.0	56.0			18.6
202828-1115		15	14	161		688	68.00		63.0	68.0			24.6
202828-1506	15	06	05	86	15	404	32.00	26.10	27.0	32.0	28.00	24.6	6.6
202828-1508		08	07	116		524	40.00		35.0	40.0			10.6
202828-2506	25	06	05	146	25	684	32.00	41.10	27.0	32.0	43.00	39.6	6.6
202828-2508		08	07	196		884	40.00		35.0	40.0			10.6

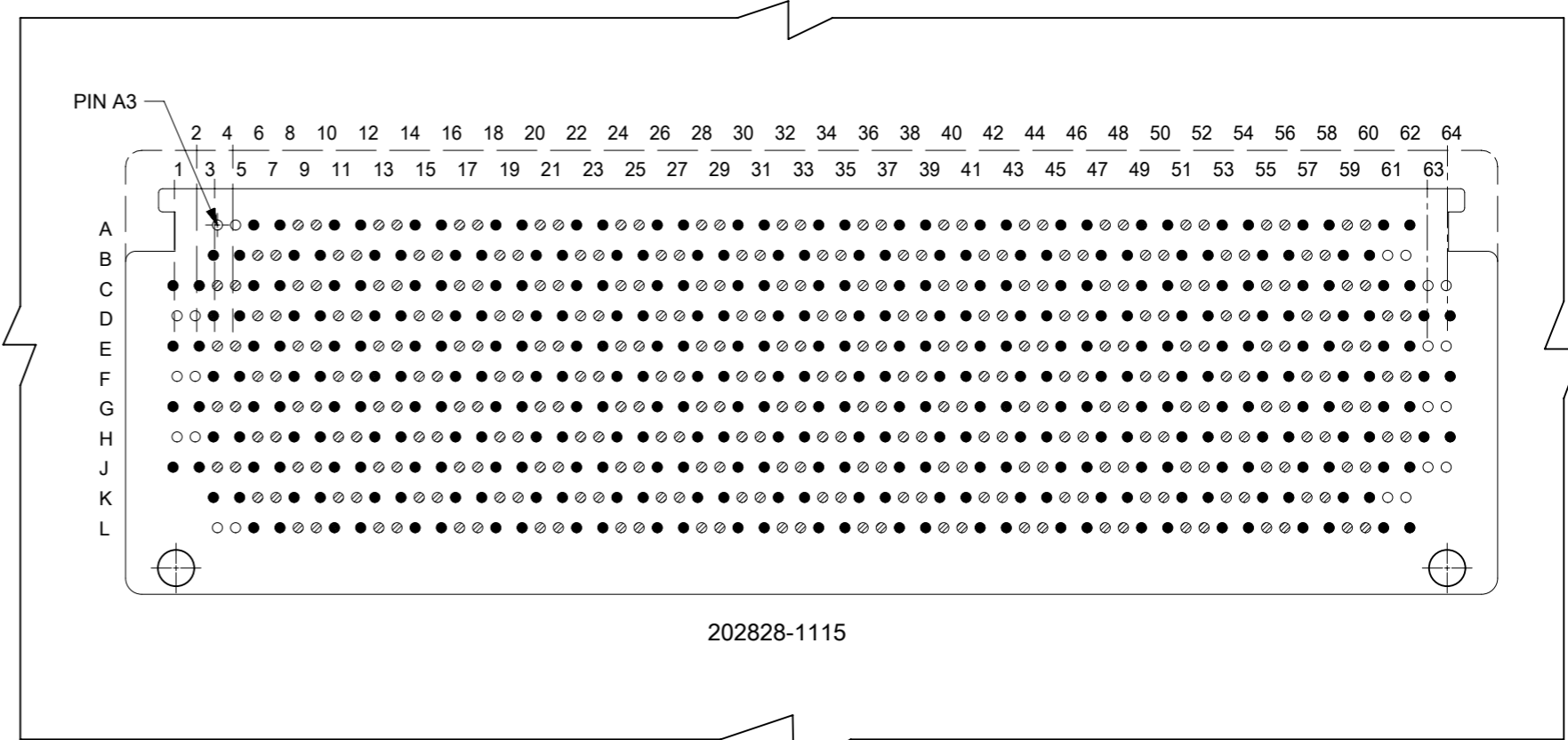


ABOVE CONFIGURATION SHOWN FOR ILLUSTRATION

THIS DRAWING CONTAINS INFORMATION THAT IS PROPRIETARY TO MOLEX ELECTRONIC TECHNOLOGIES, LLC AND SHOULD NOT BE USED WITHOUT WRITTEN PERMISSION											
DIMENSION UNITS <b>mm</b>		SCALE <b>NTS</b>		CURRENT REV DESC:							
GENERAL TOLERANCES (UNLESS SPECIFIED)		ANGULAR TOL ± °		EC NO: 667167							
4 PLACES ±		3 PLACES ±		DRWN: HCGOH 2020/06/05				MIRROR MEZZ, 2.5MM HEIGHT			
2 PLACES ± 0.2		1 PLACE ±		CHK'D: NZENG 2021/06/16							
0 PLACES ±		DRAFT WHERE APPLICABLE MUST REMAIN WITHIN DIMENSIONS		APPR: SHONG 2021/06/18				PRODUCT CUSTOMER DRAWING			
THIRD ANGLE PROJECTION		DRAWING		SERIES		MATERIAL NUMBER		CUSTOMER		SHEET NUMBER	
A3-SIZE		202828		SEE CHART		GENERAL MARKET		3 OF 5			



202828-1506

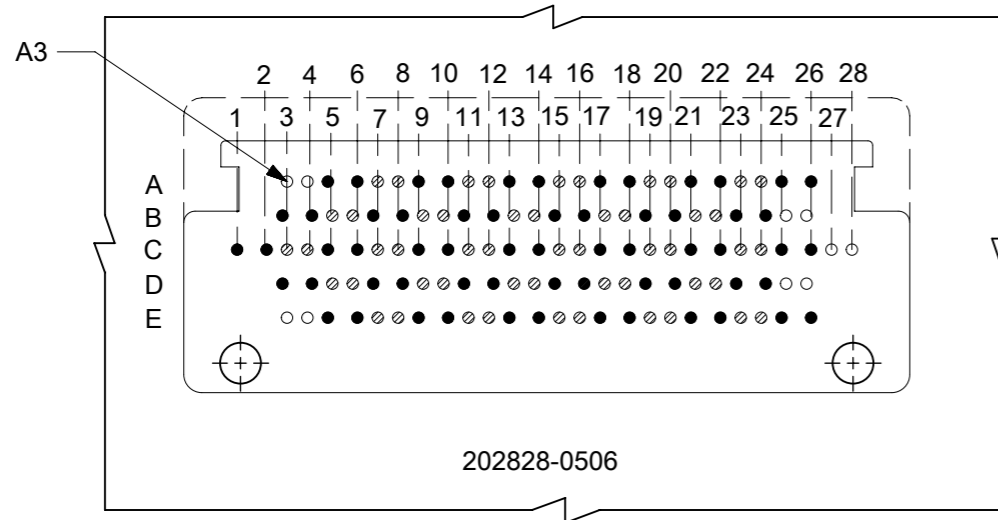


202828-1115

/	/	A3-Q3	A4-Q4	...	A25-Q25	A26-Q26	/	/
/	/	B3-P3	B4-P4	...	B25-P25	B26-P26	/	/
C1-N1	C2-N2	C3-N3	C4-N4	...	C25-N25	C26-N26	C27-N27	C28-N28
D1-M1	D2-M2	D3-M3	D4-M4	...	D25-M25	D26-M26	D27-M27	D28-M28
E1-L1	E2-L2	E3-L3	E4-L4	...	E25-L25	E26-L26	E27-L27	E28-L28
F1-K1	F2-K2	F3-K3	F4-K4	...	F25-K25	F26-K26	F27-K27	F28-K28
G1-J1	G2-J2	G3-J3	G4-J4	...	G25-J25	G26-J26	G27-J27	G28-J28
H1-H1	H2-H2	H3-H3	H4-H4	...	H25-H25	H26-H26	H27-H27	H28-H28
J1-G1	J2-G2	J3-G3	J4-G4	...	J25-G25	J26-G26	J27-G27	J28-G28
K1-F1	K2-F2	K3-F3	K4-F4	...	K25-F25	K26-F26	K27-F27	K28-F28
L1-E1	L2-E2	L3-E3	L4-E4	...	L25-E25	L26-E26	L27-E27	L28-E28
M1-D1	M2-D2	M3-D3	M4-D4	...	M25-D25	M26-D26	M27-D27	M28-D28
N1-C1	N2-C2	N3-C3	N4-C4	...	N25-C25	N26-C26	N27-C27	N28-C28
/	/	P3-B3	P4-B4	...	P25-B25	P26-B26	/	/
/	/	Q3-A3	Q4-A4	...	Q25-A25	Q26-A26	/	/

/	/	A3-L3	A4-L4	A5-L5	----	A60-L60	A61-L61	A62-L62	/	/
/	/	B3-K3	B4-K4	B5-K5	----	B60-K60	B61-K61	B62-K62	/	/
C1-J1	C2-J2	C3-J3	C4-J4	C5-J5	----	C60-J60	C61-J61	C62-J62	C63-J63	C64-J64
D1-H1	D2-H2	D3-H3	D4-H4	D5-H5	----	D60-H60	D61-H61	D62-H62	D63-H63	D64-H64
E1-G1	E2-G2	E3-G3	E4-G4	E5-G5	----	E60-G60	E61-G61	E62-G62	E63-G63	E64-G64
F1-F1	F2-F2	F3-F3	F4-F4	F5-F5	----	F60-F60	F61-F61	F62-F62	F63-F63	F64-F64
G1-E1	G2-E2	G3-E3	G4-E4	G5-E5	----	G60-E60	G61-E61	G62-E62	G63-E63	G64-E64
H1-D1	H2-D2	H3-D3	H4-D4	H5-D5	----	H60-D60	H61-D61	H62-D62	H63-D63	H64-D64
J1-C1	J2-C2	J3-C3	J4-C4	J5-C5	----	J60-C60	J61-C61	J62-C62	J63-C63	J64-C64
/	/	K3-B3	K4-B4	K5-B5	----	K60-B60	K61-B61	K62-B62	/	/
/	/	L3-A3	L4-A4	L5-A5	----	L60-A60	L61-A61	L62-A62	/	/

THIS DRAWING CONTAINS INFORMATION THAT IS PROPRIETARY TO MOLEX ELECTRONIC TECHNOLOGIES, LLC AND SHOULD NOT BE USED WITHOUT WRITTEN PERMISSION									
DIMENSION UNITS: mm		SCALE: NTS		CURRENT REV DESC:				<b>molex</b>	
GENERAL TOLERANCES (UNLESS SPECIFIED)		ANGULAR TOL ± °		EC NO: 667167					
4 PLACES ±		3 PLACES ±		DRWN: HCGOH 2020/06/05				MIRROR MEZZ, 2.5MM HEIGHT	
2 PLACES ± 0.2		1 PLACE ±		CHK'D: NZENG 2021/06/16					
0 PLACES ±		DRAFT WHERE APPLICABLE MUST REMAIN WITHIN DIMENSIONS		THIRD ANGLE PROJECTION		DRAWING: A3-SIZE		SERIES: 202828	
PRODUCT CUSTOMER DRAWING		INITIAL REVISION:		DRWN: HCGOH 2017/03/02		MATERIAL NUMBER: 2028280002		CUSTOMER: GENERAL MARKET	
DOCUMENT NUMBER: 2028280002		DOC TYPE: PSD		DOC PART: 000		REVISION: A6		SHEET NUMBER: 4 OF 5	



202828-0506

202828-0506 PIN MAPPING (MAIN BOARD-MATING BOARD)								
/	/	A3-E3	A4-E4	...	A25-E25	A26-E26	/	/
/	/	B3-D3	B4-D4	...	B25-D25	B26-D26	/	/
C1-N1	C2-N2	C3-C3	C4-C4	...	C25-C25	C26-C26	C27-C27	C28-C28
/	/	D3-B3	D4-B4	...	D25-B25	D26-B26	/	/
/	/	E3-A3	E4-A4	...	E25-A25	E26-A26	/	/

THIS DRAWING CONTAINS INFORMATION THAT IS PROPRIETARY TO MOLEX ELECTRONIC TECHNOLOGIES, LLC AND SHOULD NOT BE USED WITHOUT WRITTEN PERMISSION										
DIMENSION UNITS	SCALE	CURRENT REV DESC:				<b>molex</b>				
mm	NTS									
GENERAL TOLERANCES (UNLESS SPECIFIED)		EC NO: 667167 DRWN: HCGOH 2020/06/05 CHK'D: NZENG 2021/06/16 APPR: SHONG 2021/06/18 INITIAL REVISION: DRWN: HCGOH 2017/03/02 APPR: SHONG 2018/01/19				MIRROR MEZZ, 2.5MM HEIGHT				
ANGULAR TOL	± °					PRODUCT CUSTOMER DRAWING				
4 PLACES	±					DOCUMENT NUMBER		DOC TYPE	DOC PART	REVISION
3 PLACES	±					2028280002		PSD	000	A6
2 PLACES	± 0.2									
1 PLACE	±									
0 PLACES	±									
DRAFT WHERE APPLICABLE MUST REMAIN WITHIN DIMENSIONS	THIRD ANGLE PROJECTION	DRAWING	SERIES	MATERIAL NUMBER	CUSTOMER	SHEET NUMBER				
		A3-SIZE	202828	SEE CHART	GENERAL MARKET	5 OF 5				

DOCUMENT STATUS	P1	RELEASE DATE	2021/06/18	16:20:38
-----------------	----	--------------	------------	----------