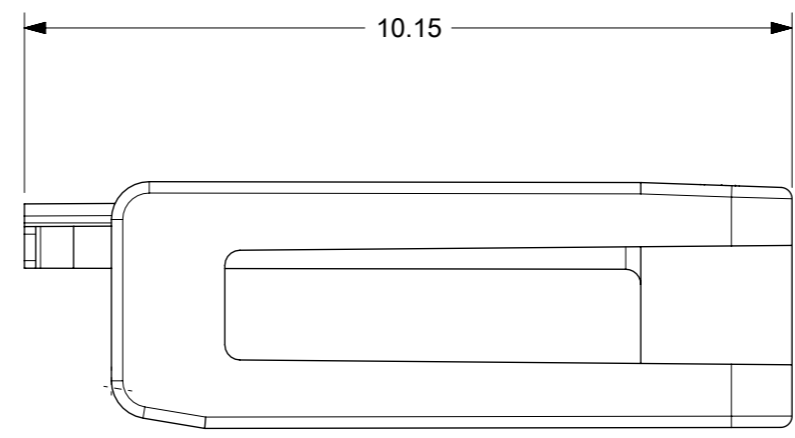
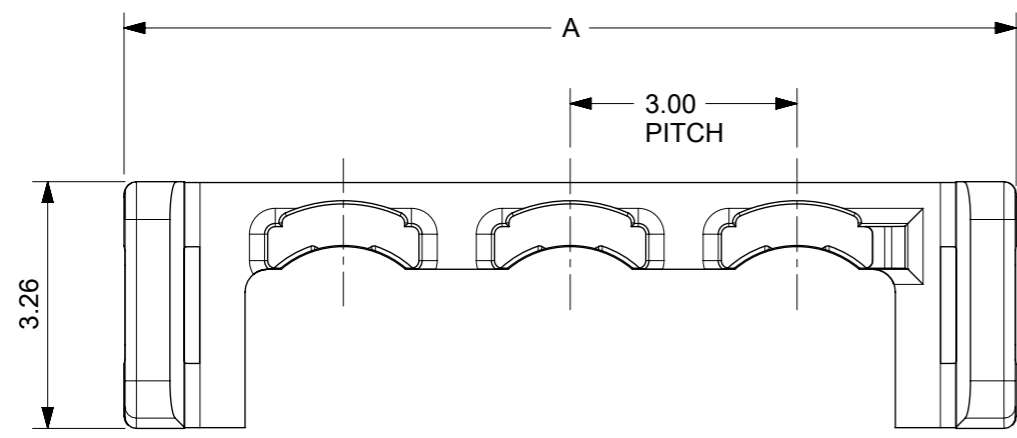
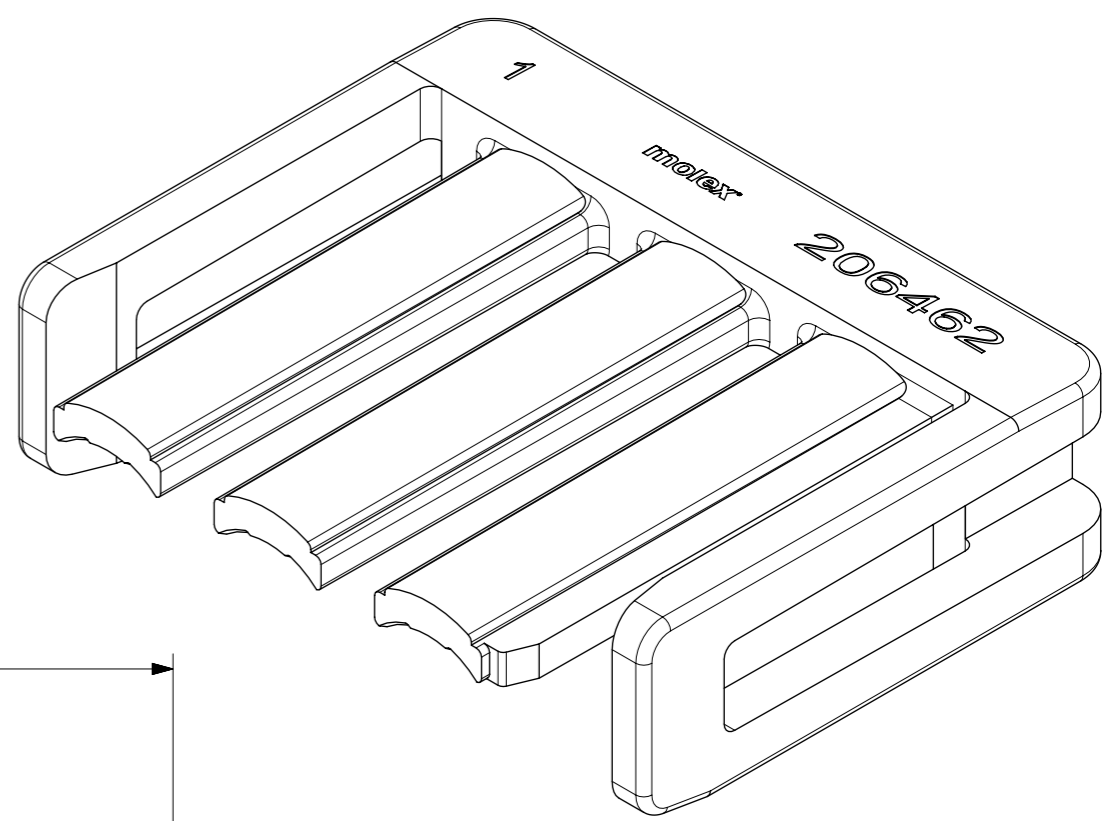


10 9 8 7 6 5 4 3 2 1

F
E
D
C
B
A



PART NO.		CKT	A	NOTE
MATERIAL "0"	MATERIAL "1"			
2064620100	2064620110	1	5.80	*DESIGNATES PART NOT RELEASED
2064620200	2064620210	2	8.80	
2064620300	2064620310	3	11.80	
2064620400	2064620410	4	14.80	
2064620500	2064620510*	5	17.80	
2064620600	2064620610*	6	20.80	
2064620700	2064620710*	7	23.80	
2064620800	2064620810*	8	26.80	
2064620900	2064620910*	9	29.80	
2064621000	2064621010*	10	32.80	
2064621100	2064621110*	11	35.80	
2064621200	2064621210*	12	38.80	

NOTES:

- MATERIAL:**
 "0": NYLON, UL 94V-0, GLOW-WIRE CAPABLE, COLOR: NATURAL
 "1": NYLON, UL 94V-0, LOW HALOGEN, COLOR: NATURAL
- THESE PARTS ARE USED WITH 206461 HOUSING SERIES
- SHALL CONFIRM TO PRODUCT SPECIFICATION : 2064600000-PS
- COMPLY WITH PACKAGING SPECIFICATION : 2064620000-PK
- COSMETIC SPECIFICATION: PS-45499-002 CLASS B.

THIS DRAWING CONTAINS INFORMATION THAT IS PROPRIETARY TO MOLEX ELECTRONIC TECHNOLOGIES, LLC AND SHOULD NOT BE USED WITHOUT WRITTEN PERMISSION									
DIMENSION UNITS mm		SCALE NTS		CURRENT REV DESC:				molex	
GENERAL TOLERANCES (UNLESS SPECIFIED)				EC NO: 722782					
ANGULAR TOL ± 0.5°				DRWN: ZIXUAQ 2022/07/08				TPA MICRO-FIT + SOLUTION	
4 PLACES ±				CHK'D: XQZHANG 2022/09/28					
3 PLACES ±				APPR: XQZHANG 2022/09/28				PRODUCT CUSTOMER DRAWING	
2 PLACES ± 0.25				INITIAL REVISION:					
1 PLACE ± 0.35				DRWN: SMAHAJANSHET 2018/05/08				DOCUMENT NUMBER	
0 PLACES ±				APPR: NCSR 2019/04/02				2064620000-SD	
DRAFT WHERE APPLICABLE MUST REMAIN WITHIN DIMENSIONS		THIRD ANGLE PROJECTION		DRAWING		SERIES		MATERIAL NUMBER	
				A3-SIZE		206462		CUSTOMER	
						GENERAL MARKET		SHEET NUMBER	
								1 OF 1	

DOCUMENT STATUS	P1	RELEASE DATE	2022/09/28	08:58:18
-----------------	----	--------------	------------	----------

9 8 7 6 5 4 3 2 1