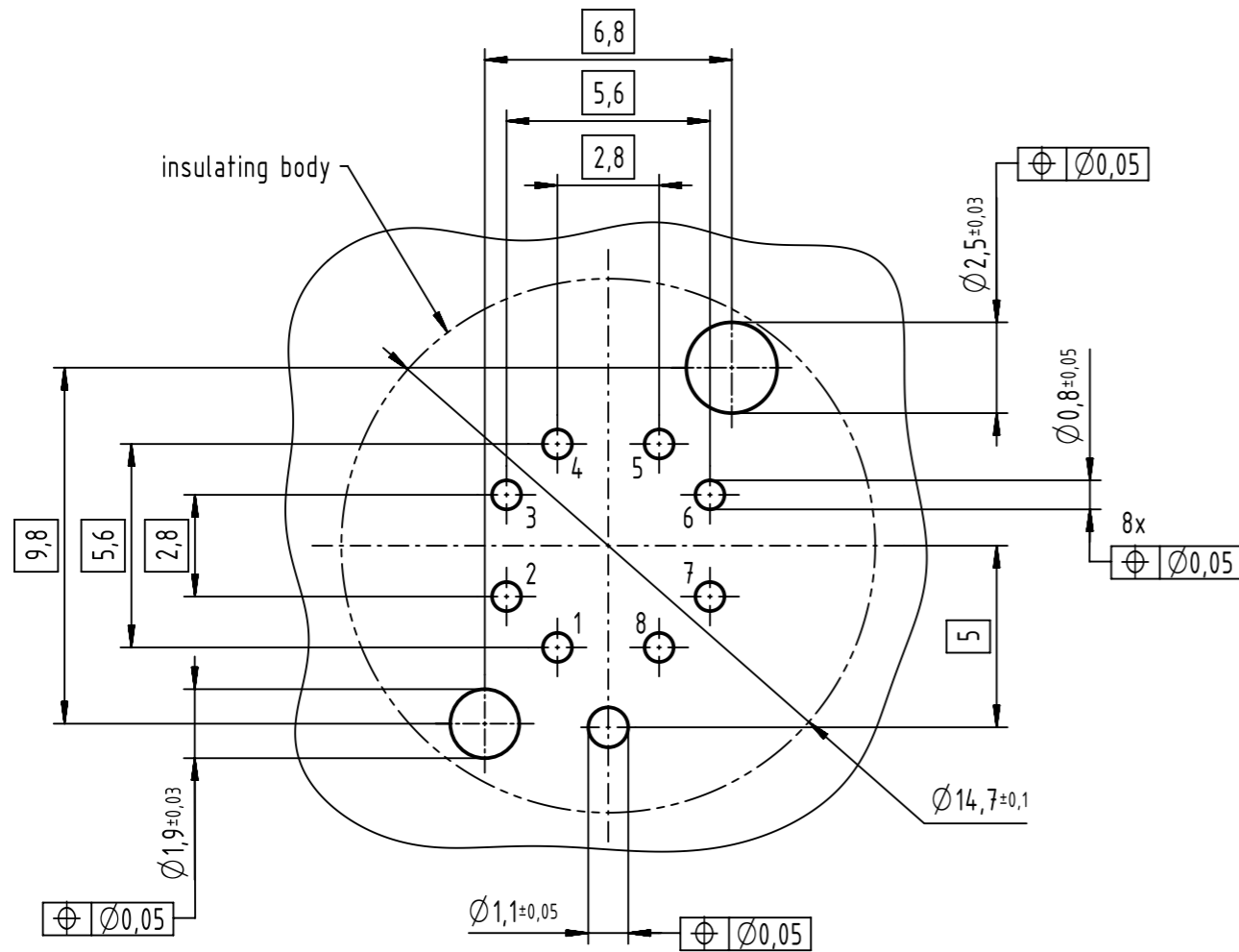
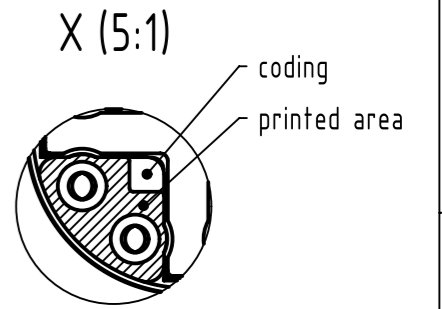
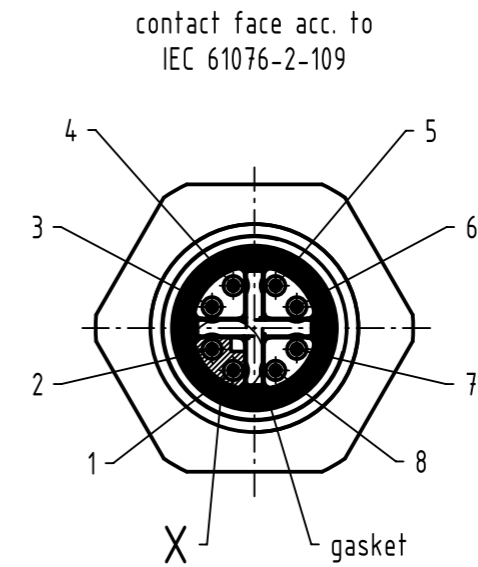
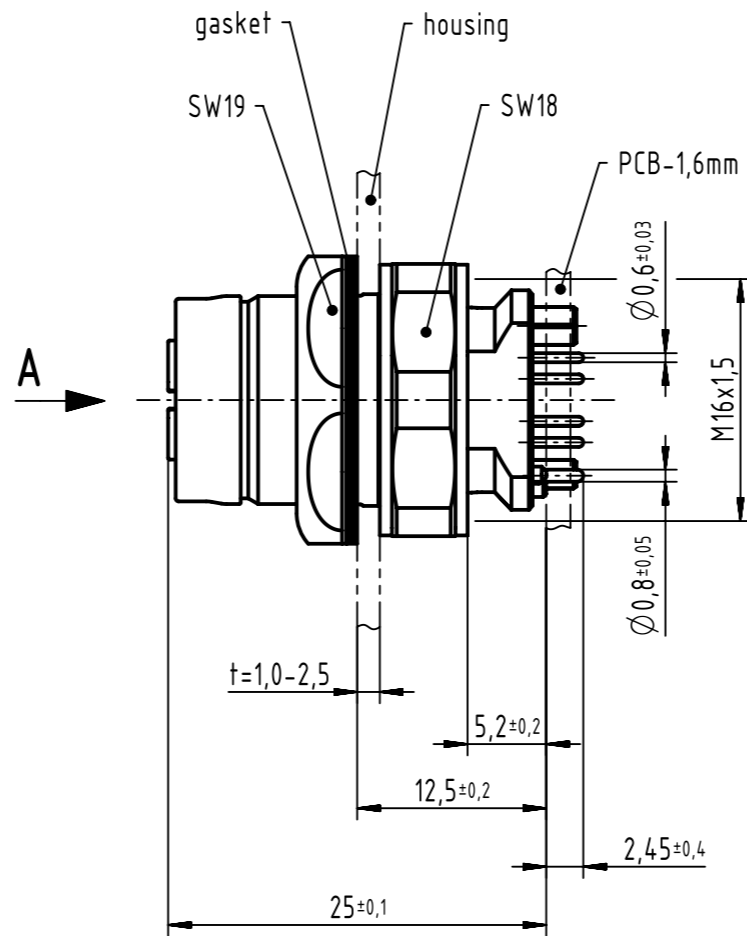
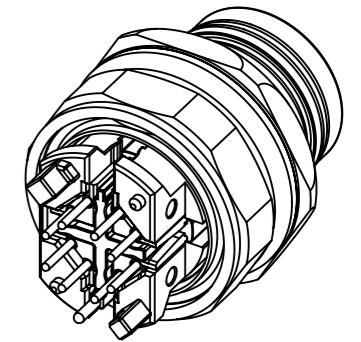
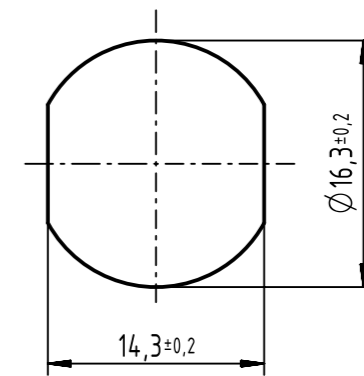


A (5:1)
recommended PCB-layout



panel cut out



- 500 mating cycles acc. to IEC 60512-9-1
- design for reflow soldering
- 60 pcs. tray package
- packed with pick&place-cap

pin assignment		
pin	Signal	pair
1	TD1+	2
2	RD1-	2
3	TD2+	3
4	RD2-	3
5	TD4+	4
6	RD4-	4
7	RD3-	1
8	TD3+	1

	All rights reserved	Scale 2:1	Free size tol.	Ref.
	Department EL PD	Created by DYCKC	Inspected by 104122	Sub.
HARTING Electronics GmbH D-32339 Espelkamp	Title har-speed M12 PCB Cat6A receptacle straight front			Date 2020-06-02
	Type TB		Number 21033812802	
				Doc-Key / ECM-Nr. 100230885/UGD/002/G 500000169499
				Rev. G
				Page 1/1