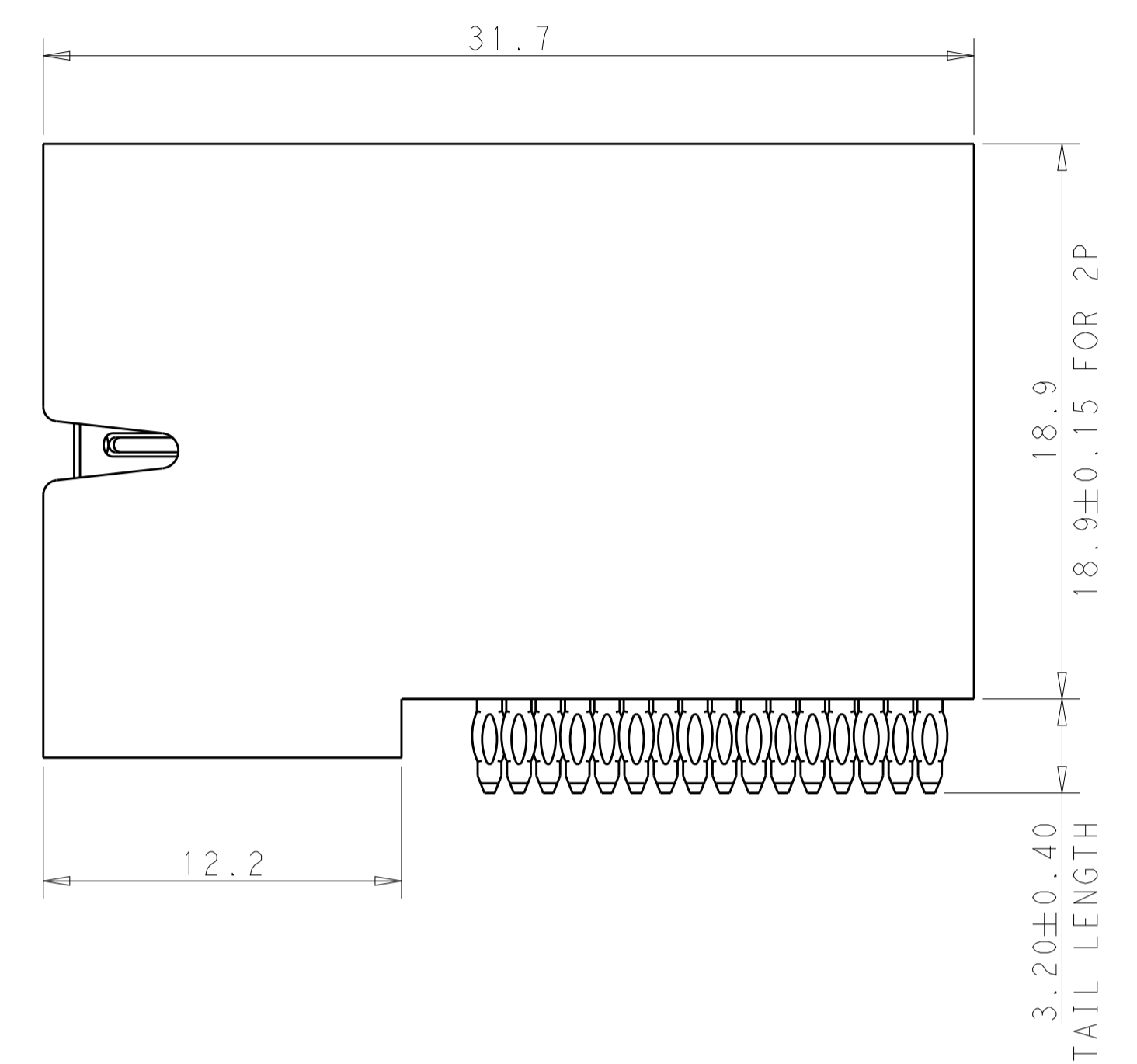
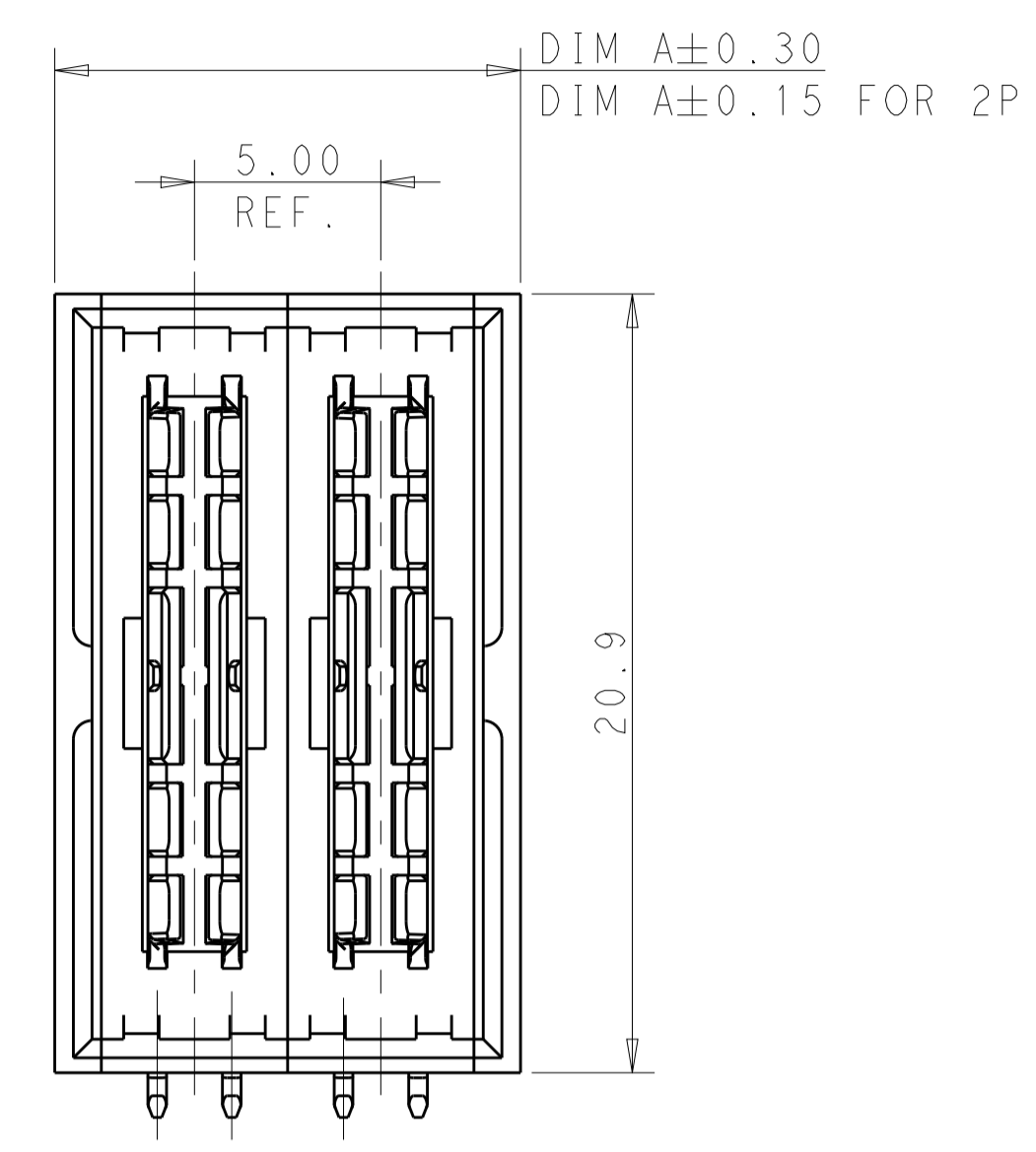
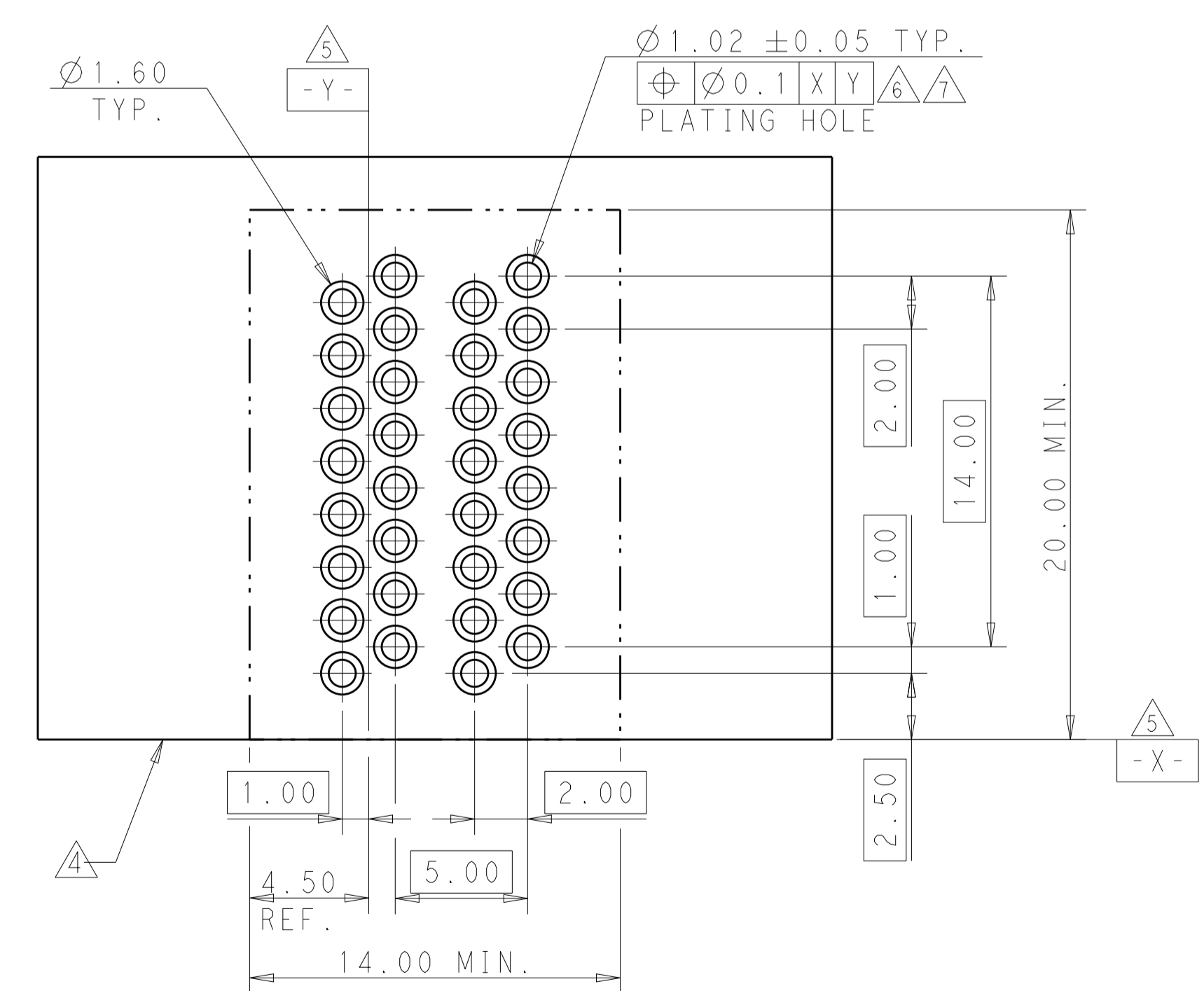
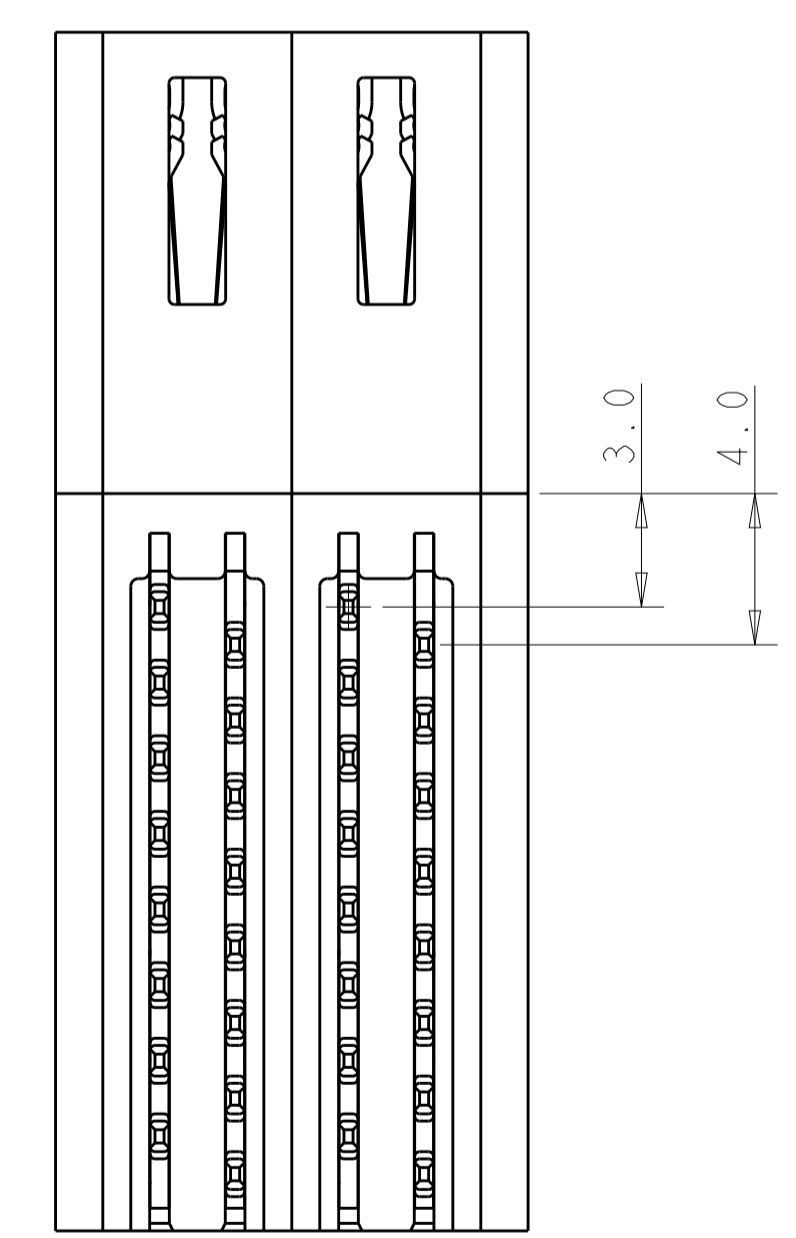


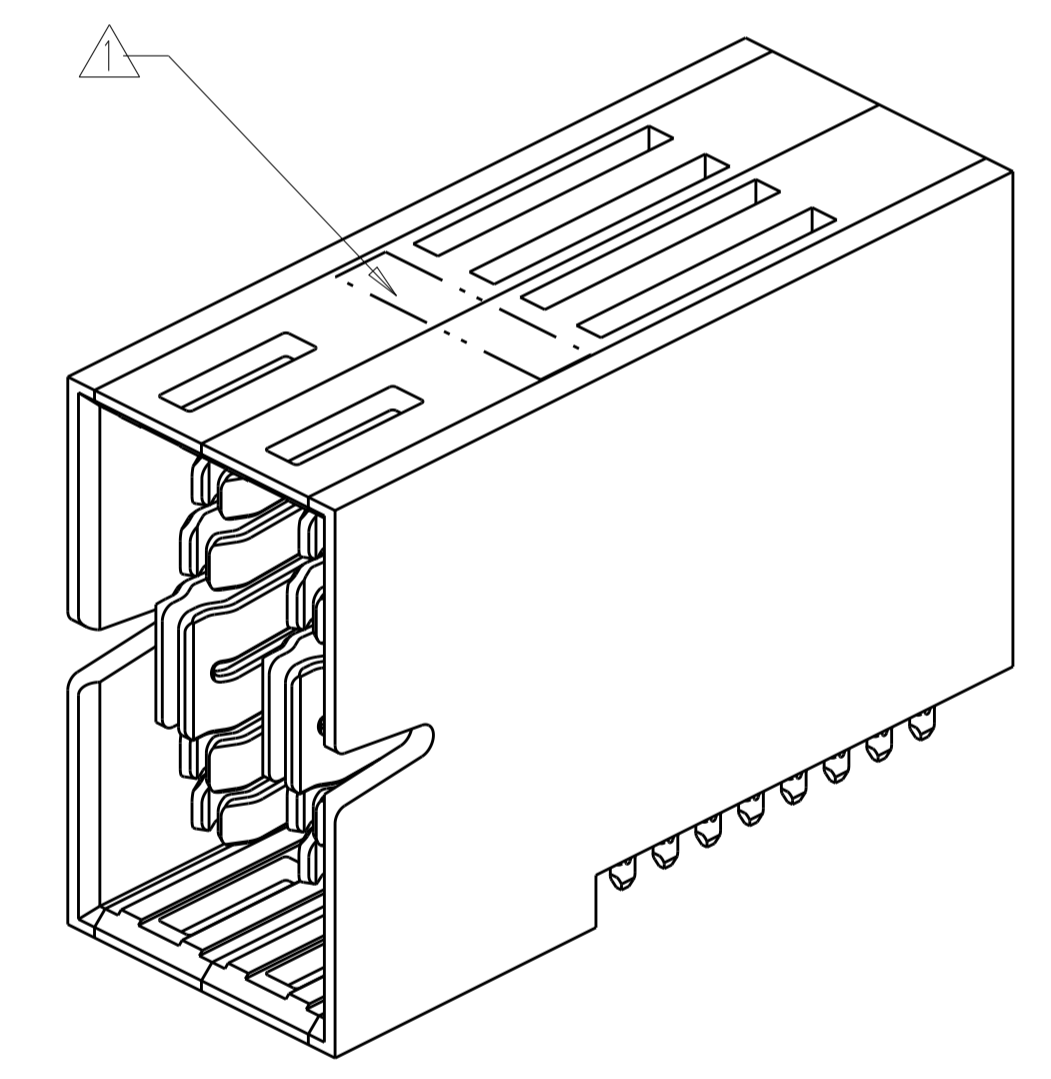
LOC	DIST	REV	DESCRIPTION	DATE	DWN	APVD
-	-	A4	ECR-18-000263	09JAN2018	TZ	SZ



NOTES, UNLESS OTHERWISE SPECIFIED:
 ▲ "TE", PART NUMBER AND DATE CODE TO BE MARKED IN AREA SHOWN.
 ▲ MATERIAL:
 HOUSING - GLASS FILLED HIGH TEMP THERMO PLASTIC, COLOR: BLACK, UL94 V- 0.
 SIGNAL CONTACT - HIGH CONDUCTIVITY COPPER ALLOY.
 POWER CONTACT - HIGH CONDUCTIVITY COPPER ALLOY.
 ▲ CONTACT PLATING:
 MATING AREA - NOBLE METAL OVERALL NICKEL
 TAIL SIDE AREA - MATTE TIN OVERALL NICKEL.
 ▲ MECHANICAL CONNECTOR KEEP OUT ZONE.
 ▲ DATUM AND BASIC DIMENSIONS ESTABLISHED BY CUSTOMER.
 ▲ PCB - ALL HOLE DIAMETERS ARE FINISHED HOLE SIZES.
 ▲ PCB HOLE:
 POWER - 1.15 ± 0.025 MM DRILLED HOLES SIZE PLATING WITH 0.0076 MM MIN. Sn OVER 0.025~0.076 MM Cu PLATING TO ACHIEVE A 1.02 MM DIA. HOLE.



PART NUMBER	POWER	
	P1	P2
2204443-1	PH	PH
2P		



	DIM D	DIM C	DIM B	DIM A	DESCRIPTION	PART NUMBER
PRILIMINARY	2.00	5.00	8.50	21.00	2P+20S	2204443-6
PRILIMINARY	-	-	-	9.50	4LP	2204443-5
PRILIMINARY	-	-	-	14.50	4MP	2204443-4
	-	-	-	22.50	4P	2204443-2
	-	-	-	12.50	2P	2204443-1

DESCRIPTION	CODE
INSERT MOLDING SIGNAL STANDARD	VH1
MIDDLE POWER CONTACT	MH
POWER CONTACT	PH

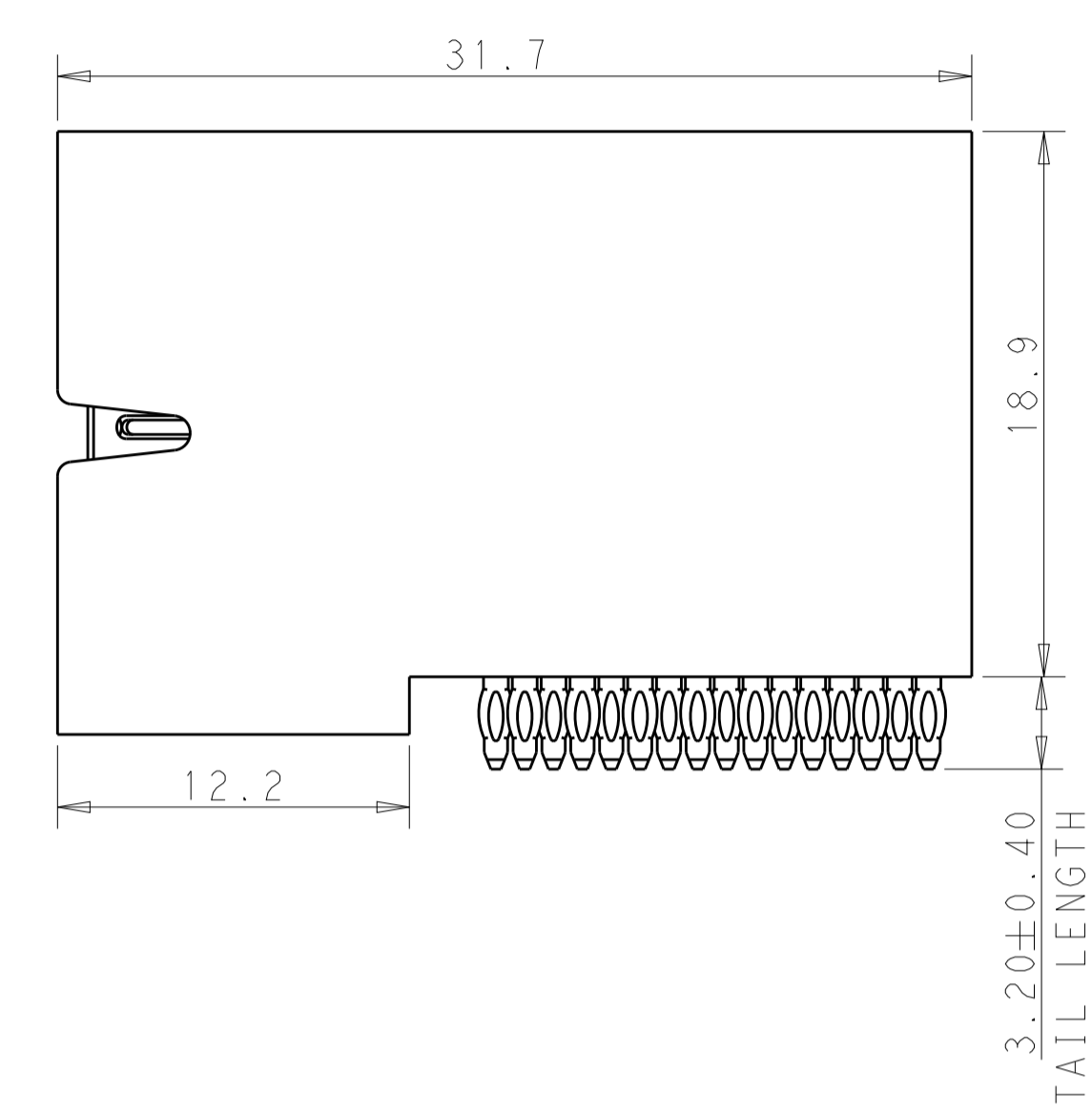
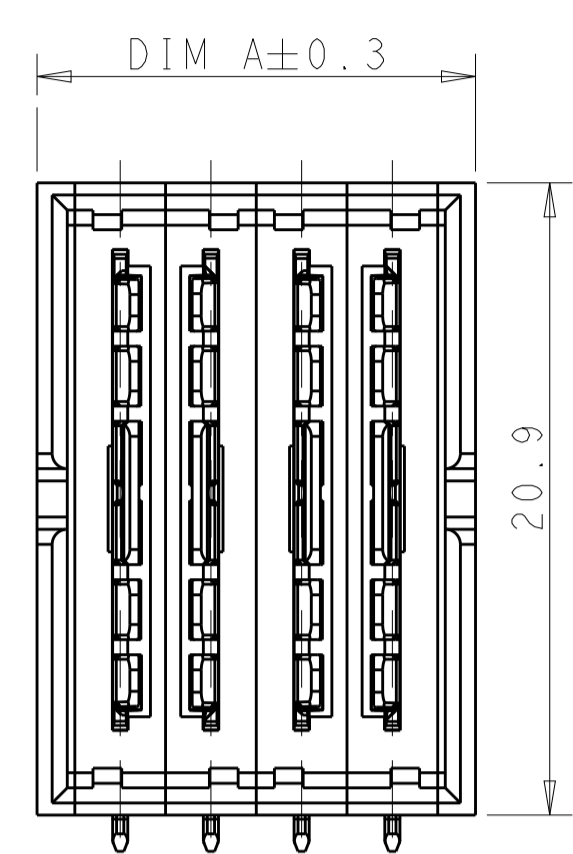
THIS DRAWING IS A CONTROLLED DOCUMENT. DWN: THOMAS_ZHAO 28JUN2012, CHK: SUNY_ZHAO 28JUN2012, APVD: SUNY_ZHAO 28JUN2012

STE TE Connectivity

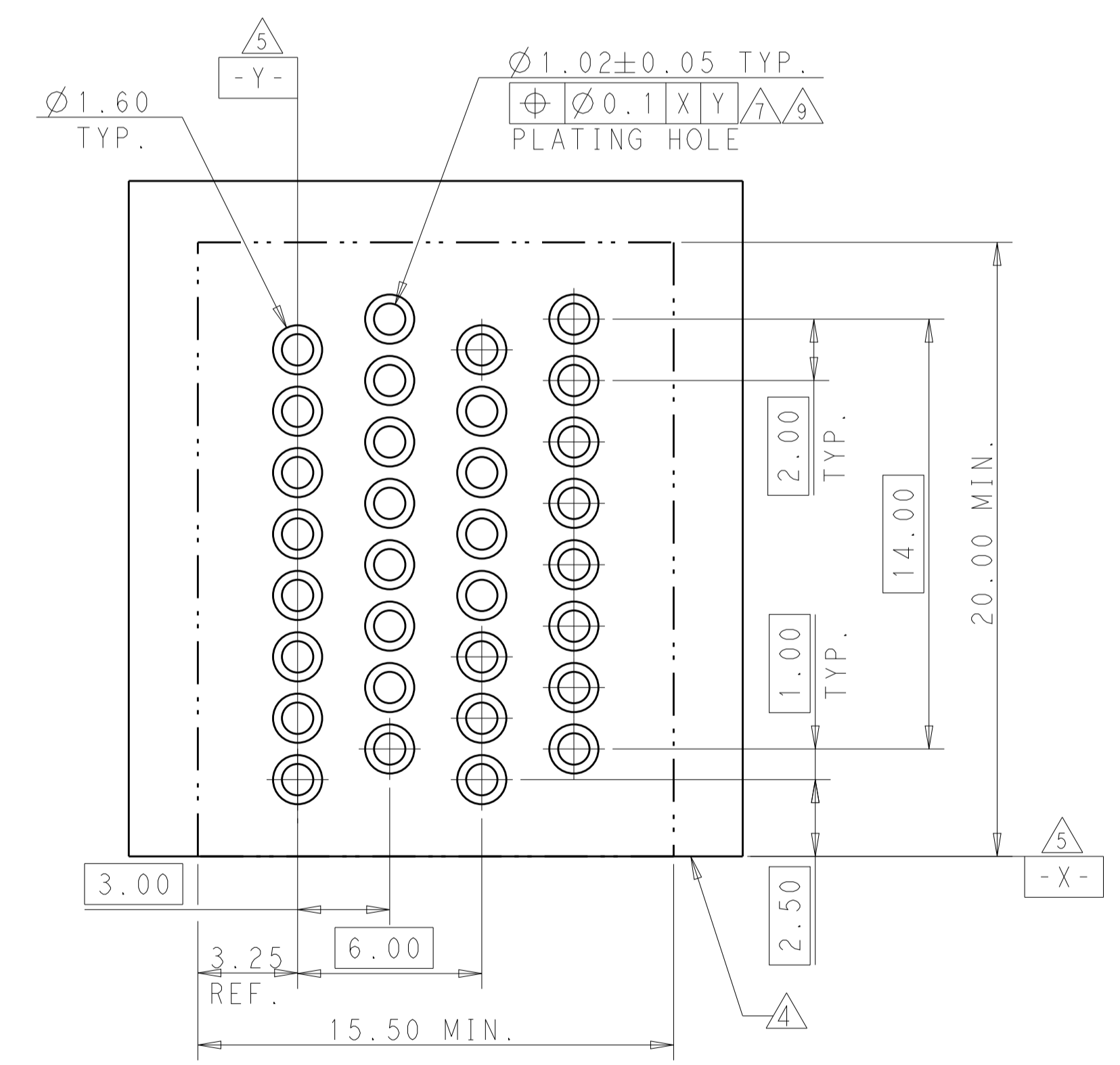
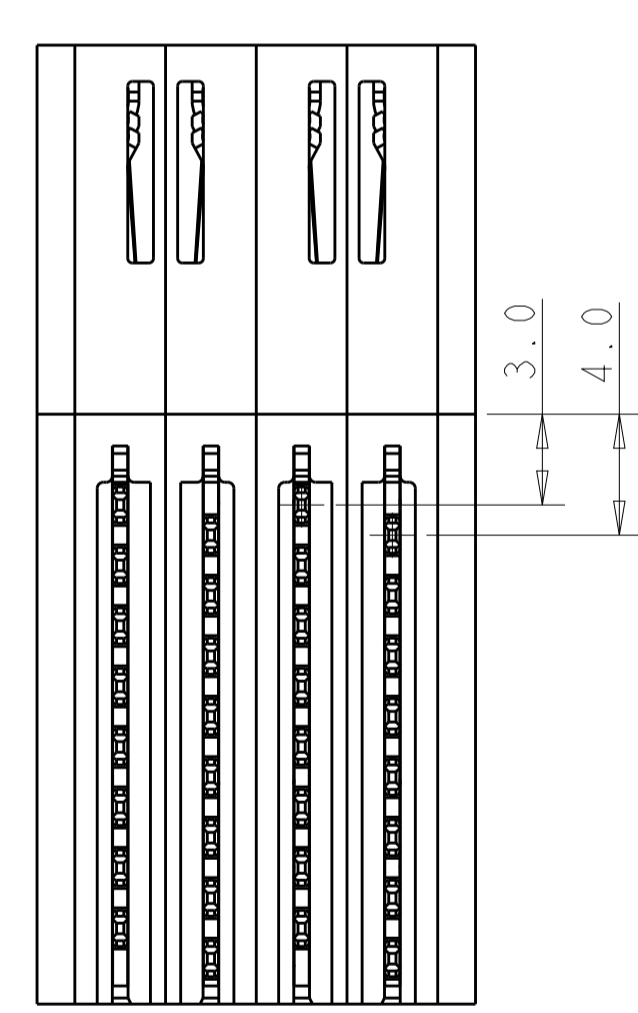
Customer Drawing
RIGHT ANGLE PLUG PRESS FIT
MULTI-BEAM HD W/GUIDELESS

SCALE: 5:1 SHEET 1 OF 5 REV: A4

LOC		DIST		REVISIONS			
P	LTN	DESCRIPTION	DATE	DMN	APVD		
-	-	SEE SHEET 1	-	-	-		



PART NUMBER	POWER			
	M1	M2	M3	M4
2204443-4	MH	MH	MH	MH
4MP				

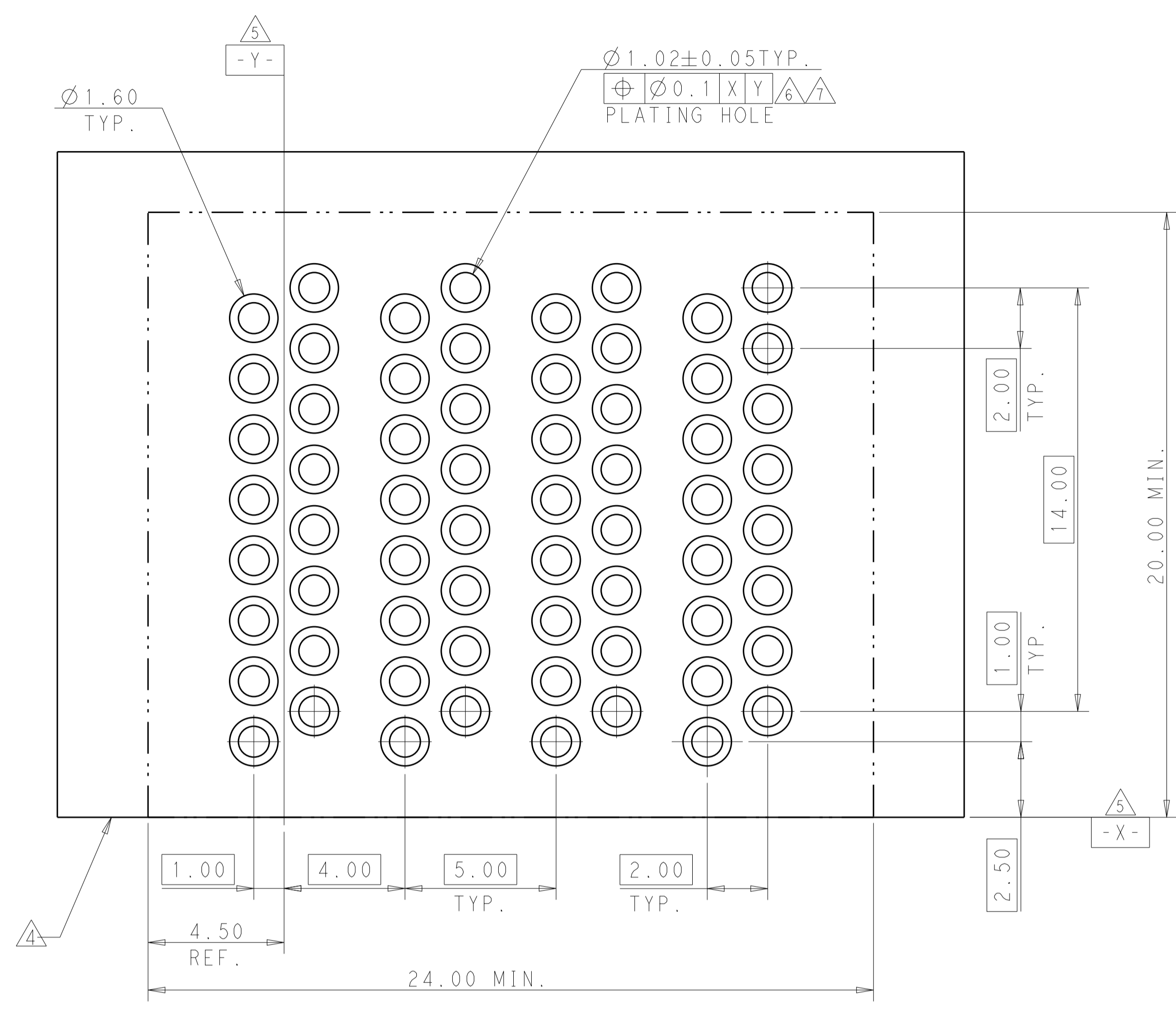


THIS DRAWING IS A CONTROLLED DOCUMENT.

DIMENSIONS: mm 	TOLERANCES UNLESS OTHERWISE SPECIFIED: 0 PLC ± 1 PLC ±0.4 2 PLC ±0.75 3 PLC ±1.5 4 PLC ± ANGLES ° ±	DWN THOMAS_ZHAO 28JUN2012 CHK SUNY_ZHAO 28JUN2012 APVD SUNY_ZHAO 28JUN2012 PRODUCT SPEC APPLICATION SPEC WEIGHT CUSTOMER DRAWING	NAME Customer Drawing RIGHT ANGLE PLUG PRESS FIT MULTI-BEAM HD W/GUIDELESS SIZE A1 CAGE CODE DRAWING NO. C=2204443 RESTRICTED TO
-----------------------	---	--	---

SCALE 5:1 SHEET 2 OF 5 REV A4

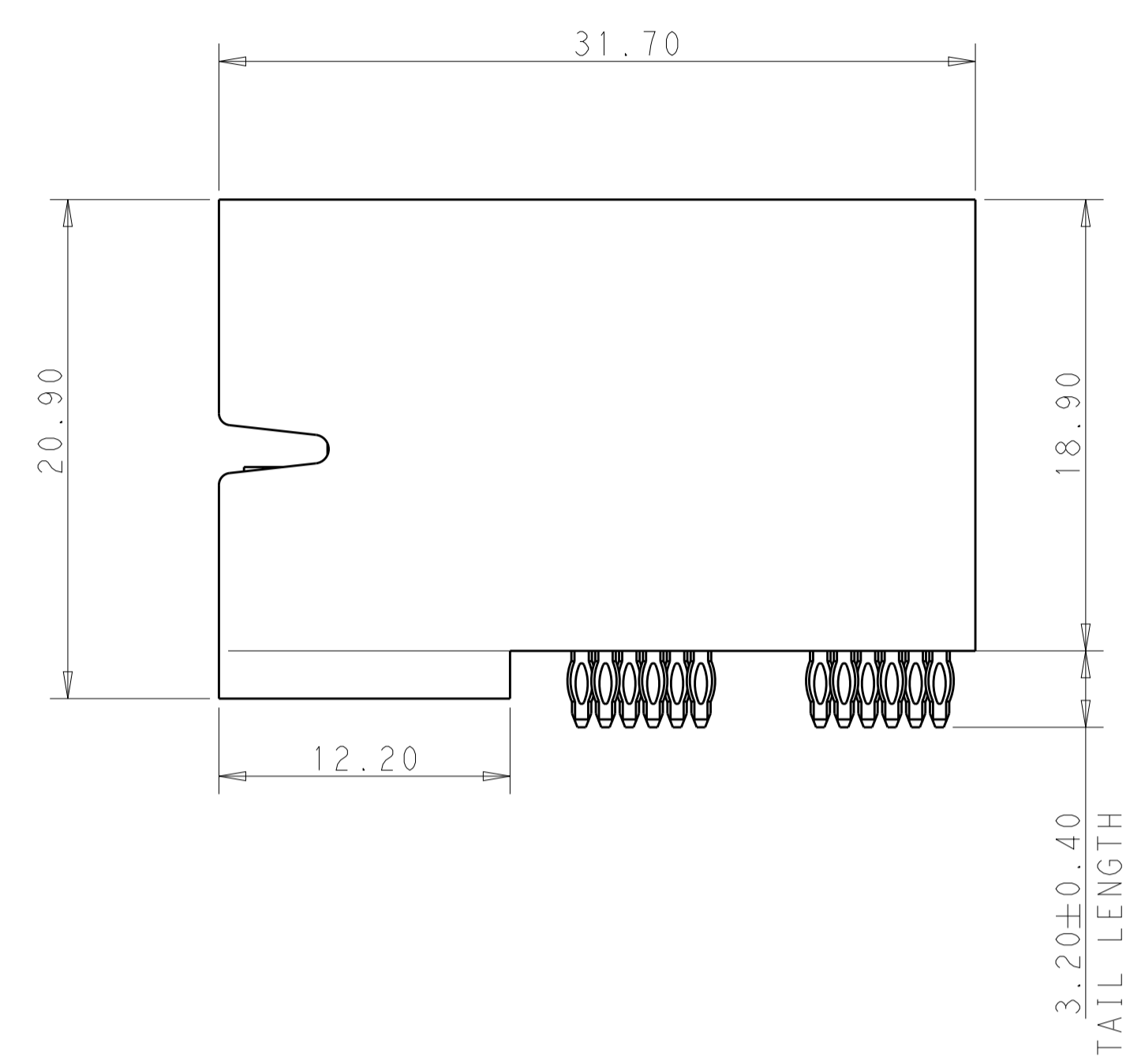
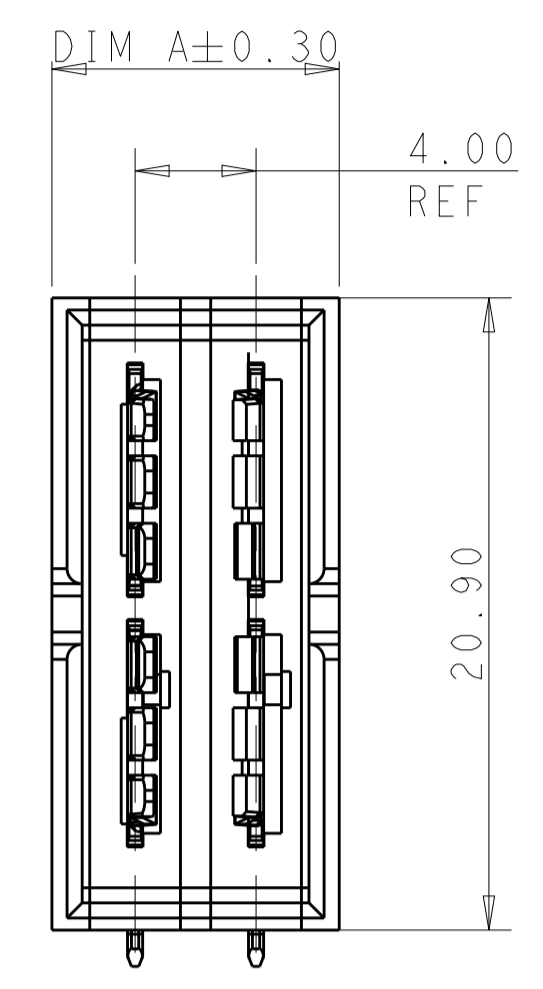
LOC		DIST		REVISIONS			
P	LTN	DESCRIPTION	DATE	DWN	APVD		
-	-	SEE SHEET 1	-	-	-		



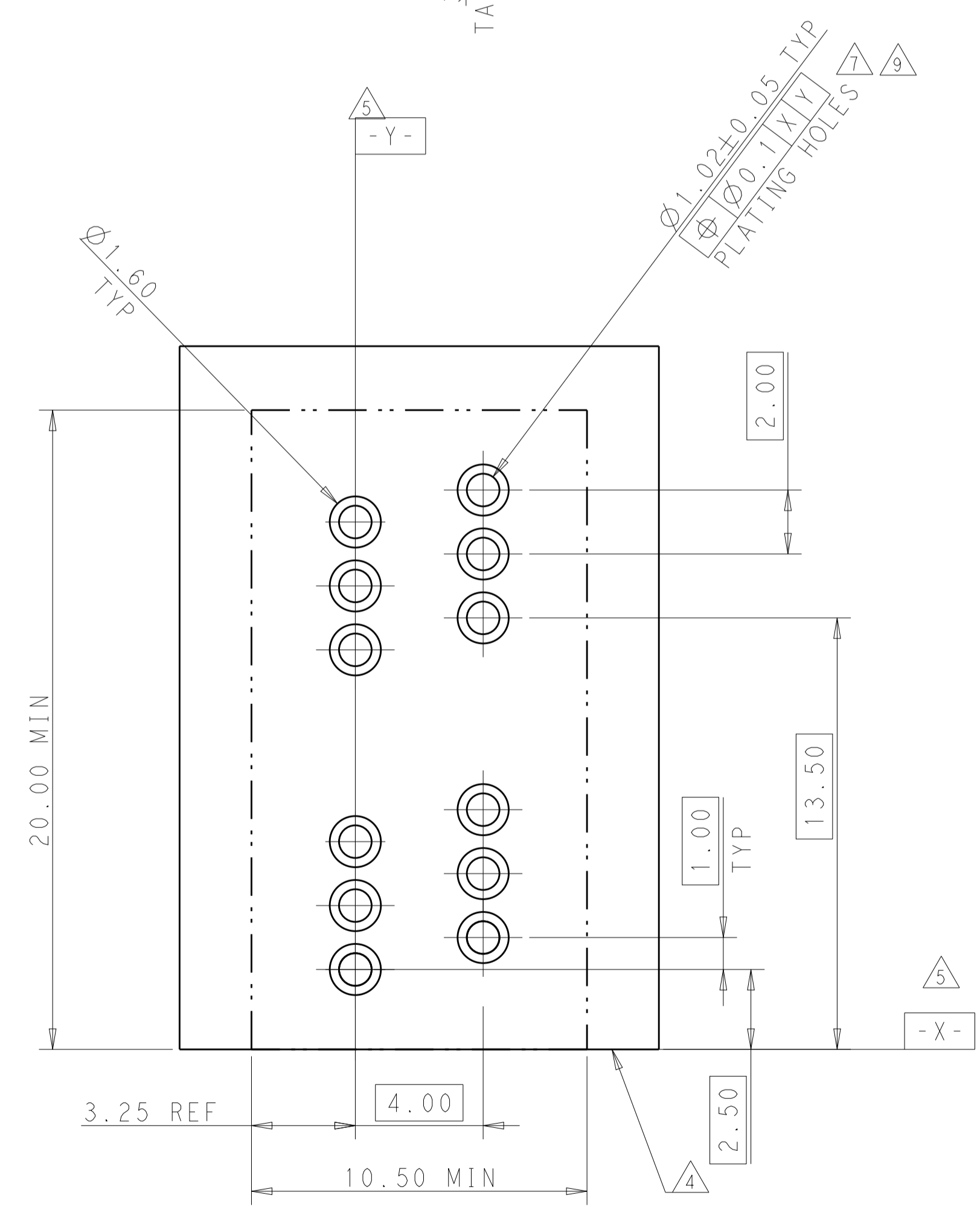
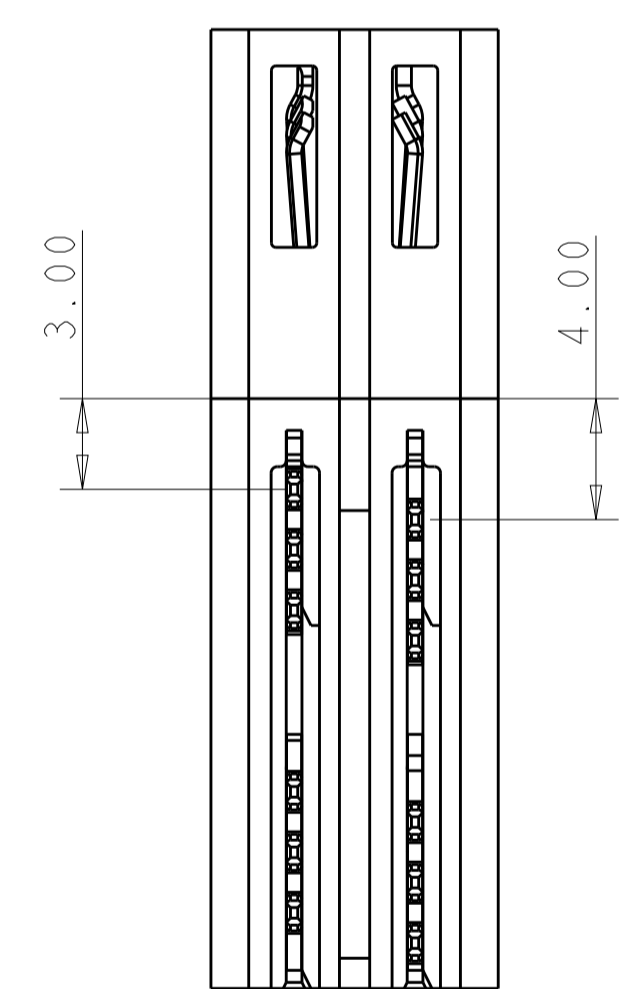
PART NUMBER	POWER			
	P1	P2	P3	P4
2204443-2	PH	PH	PH	PH
4P				

THIS DRAWING IS A CONTROLLED DOCUMENT.		DWN THOMAS_ZHAO 28JUN2012	TE Connectivity
DIMENSIONS: mm		CHK SUNY_ZHAO 28JUN2012	
TOLERANCES UNLESS OTHERWISE SPECIFIED:		APVD SUNY_ZHAO 28JUN2012	NAME Customer Drawing
0 PLC ±	1 PLC ±0.4	PRODUCT SPEC	RIGHT ANGLE PLUG PRESS FIT
2 PLC ±0.75	3 PLC ±1.15	APPLICATION SPEC	MULTI-BEAM HD W/GUIDELESS
4 PLC ±	ANGLES ±	WEIGHT	SIZE A1
MATERIAL	FINISH	CAGE CODE DRAWING NO	RESTRICTED TO
		©=2204443	
CUSTOMER DRAWING		SCALE 5:1	SHEET 3 OF 5 REV A4

LOC		DIST		REVISIONS			
		P	LTN	DESCRIPTION	DATE	DMN	APVD
-	-	-	-	SEE SHEET 1	-	-	-



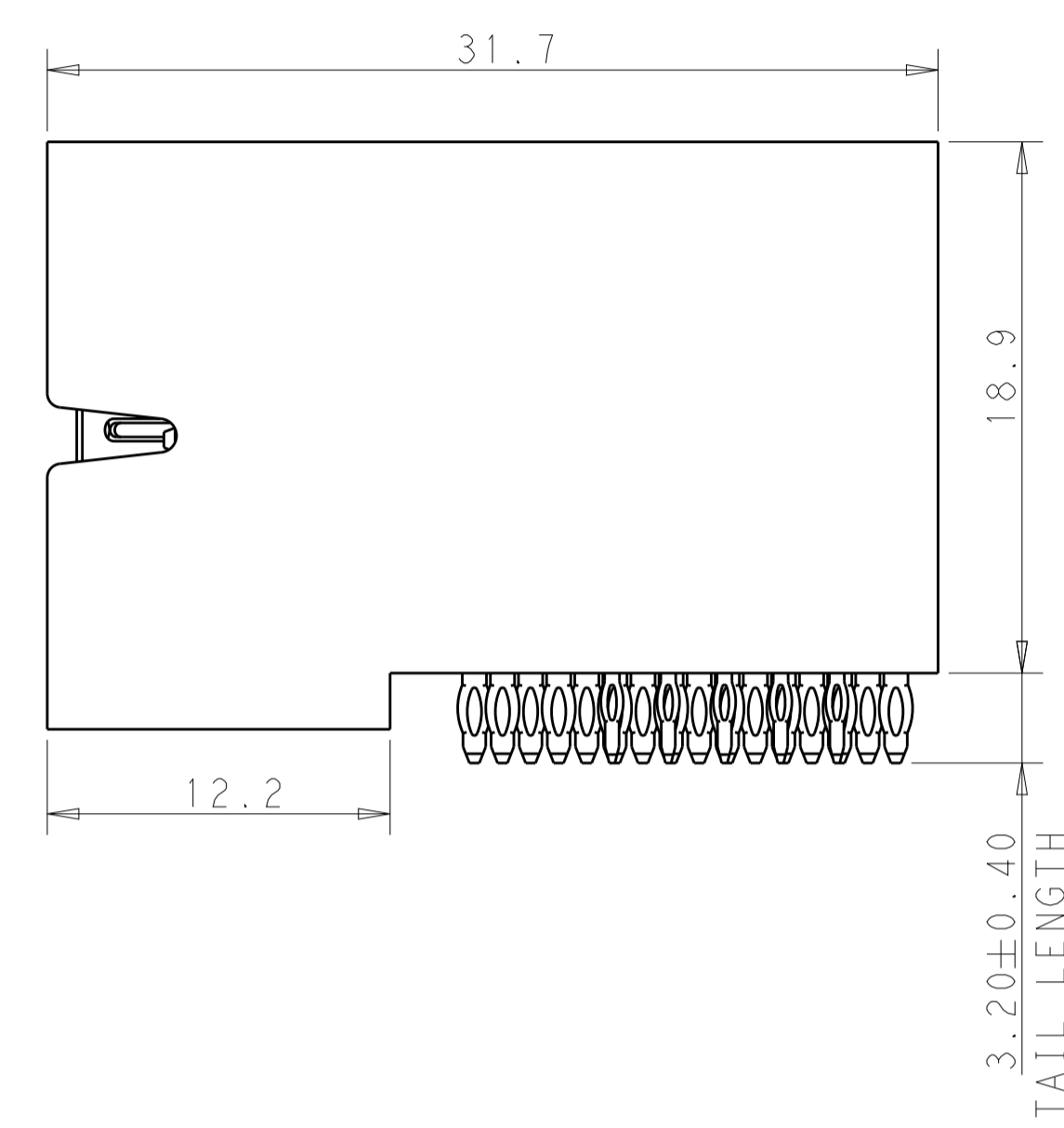
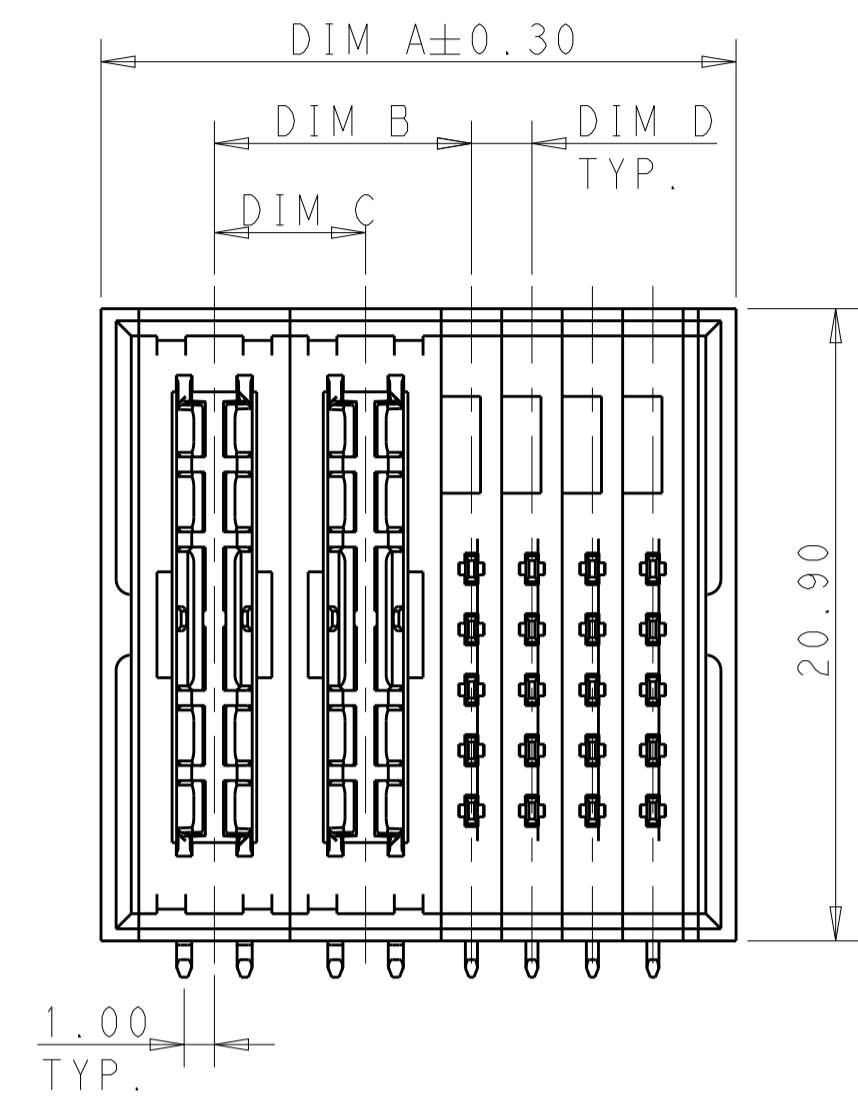
PART NUMBER	POWER	
	LP1	LP2
2204443-5	LP1	LP2
	LH1	LH2
4LP		



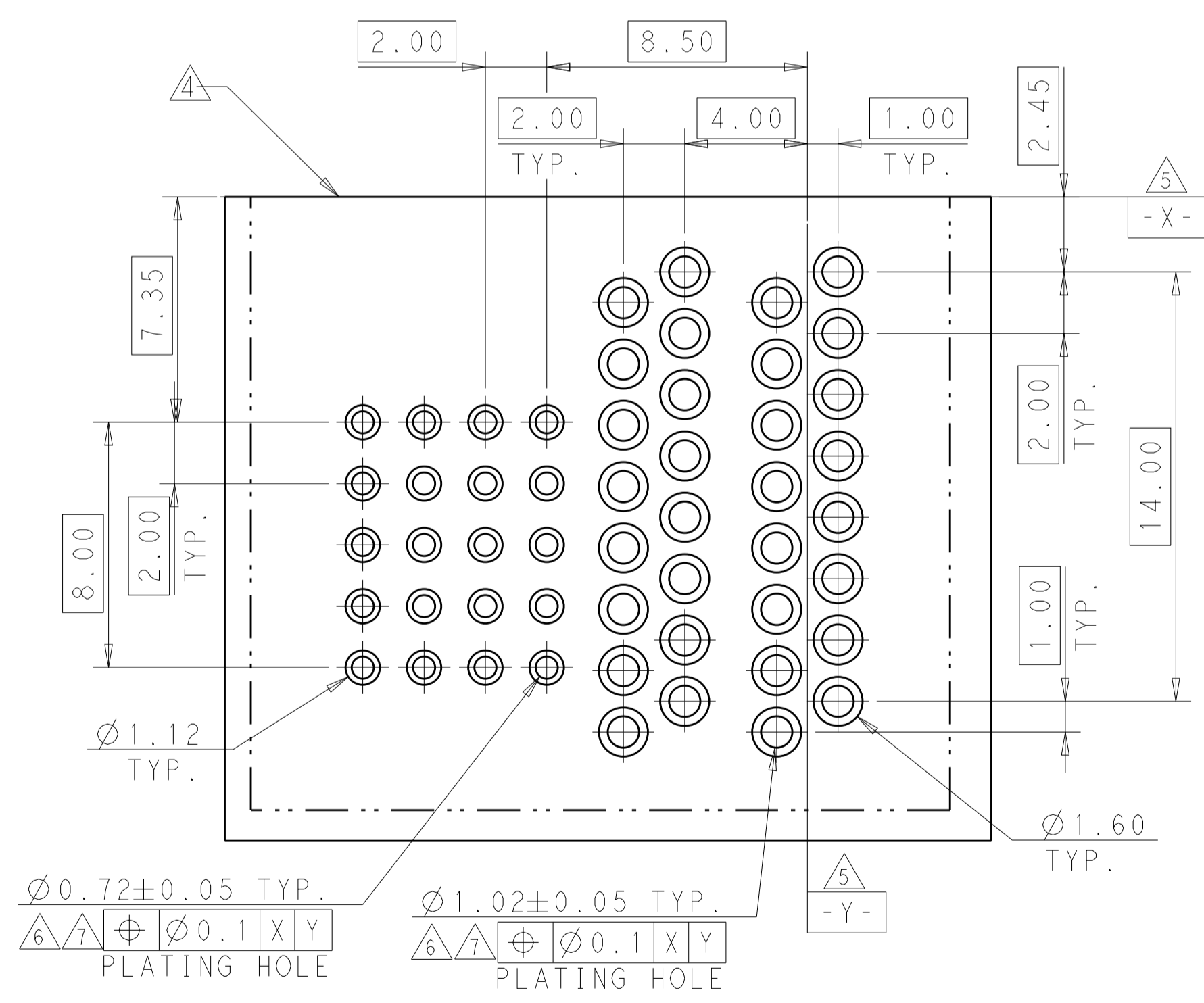
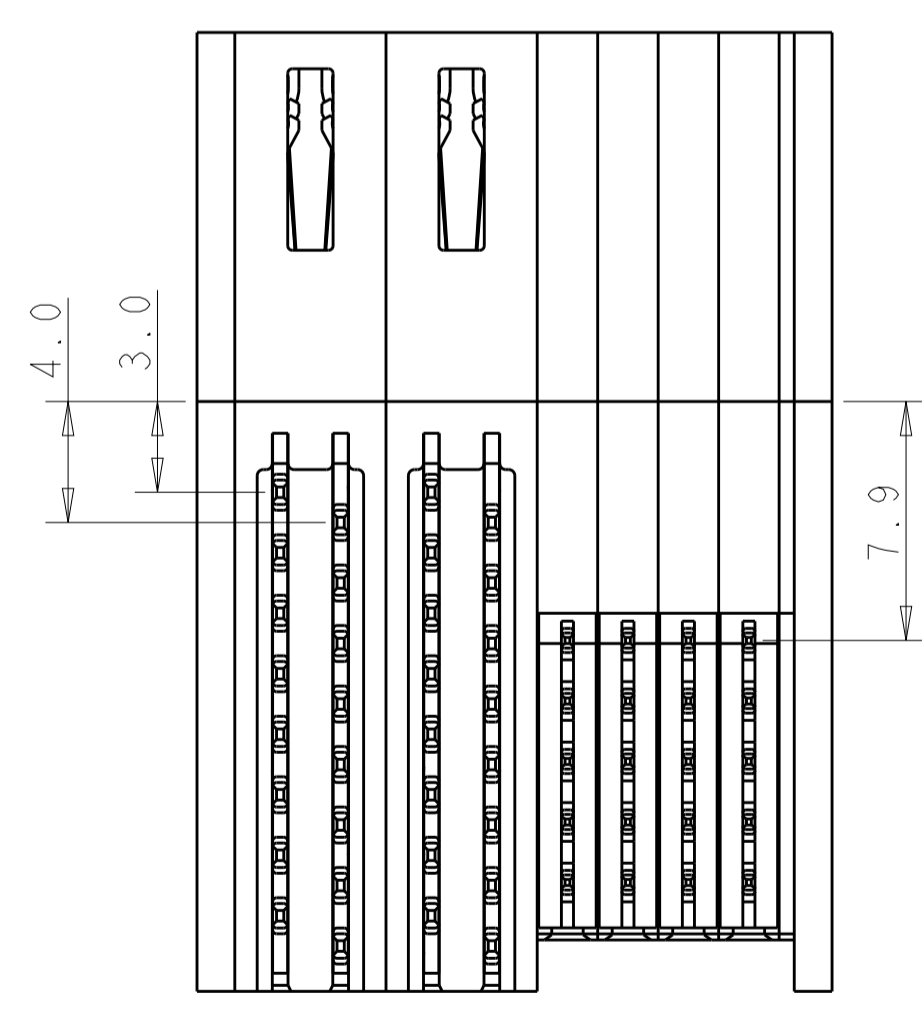
LP BOTTOM CONTACT PRESS-FIT	LH
LP TOP CONTACT PRESS-FIT	LP
DESCRIPTION	CODE

THIS DRAWING IS A CONTROLLED DOCUMENT.		DMN THOMAS ZHAO 28JUN2012	TE Connectivity	
DIMENSIONS: mm		CHK SUNY ZHAO 28JUN2012		
TOLERANCES UNLESS OTHERWISE SPECIFIED:		APVD SUNY ZHAO 28JUN2012	NAME Customer Drawing	
0 PLC ±0.4		PRODUCT SPEC	RIGHT ANGLE PLUG PRESS FIT	
1 PLC ±0.4		APPLICATION SPEC	MULTI-BEAM HD W/GUIDELESS	
2 PLC ±0.75		SIZE A1	CAGE CODE	DRAWING NO
3 PLC ±1.15		WEIGHT	SCALE 5:1	SHEET 4 OF 5
4 PLC ±	FINISH	CUSTOMER DRAWING	REV A4	
ANGLES				

LOC		DIST		REVISIONS			
P	LTN	DESCRIPTION	DATE	DMN	APVD		
-	-	SEE SHEET 1	-	-	-		



PART NUMBER	POWER		SIGNAL				ROWS
	P1	P2	1	2	3	4	
2204443-6	PH	PH	VH	VH	VH	VH	E
			VH	VH	VH	VH	D
			VH	VH	VH	VH	C
			VH	VH	VH	VH	B
			VH	VH	VH	VH	A
2P+20S							



THIS PAGE SHOW THE PART NUMBER: 2204443-6

THIS DRAWING IS A CONTROLLED DOCUMENT.		DMN THOMAS_ZHAO 28JUN2012	TE Connectivity
DIMENSIONS: mm		CHK SUNY_ZHAO 28JUN2012	
TOLERANCES UNLESS OTHERWISE SPECIFIED:		APVD SUNY_ZHAO 28JUN2012	NAME Customer Drawing
0 PLC ±0.4		PRODUCT SPEC	RIGHT ANGLE PLUG PRESS FIT
1 PLC ±0.4		APPLICATION SPEC	MULTI-BEAM HD W/GUIDELESS
2 PLC ±0.75		SIZE A1	CAGE CODE DRAWING NO
3 PLC ±1.15		WEIGHT	RESTRICTED TO
4 PLC ±		SCALE 5:1	SHEET 5 OF 5
ANGLES ±		REV A4	
FINISH		CUSTOMER DRAWING	