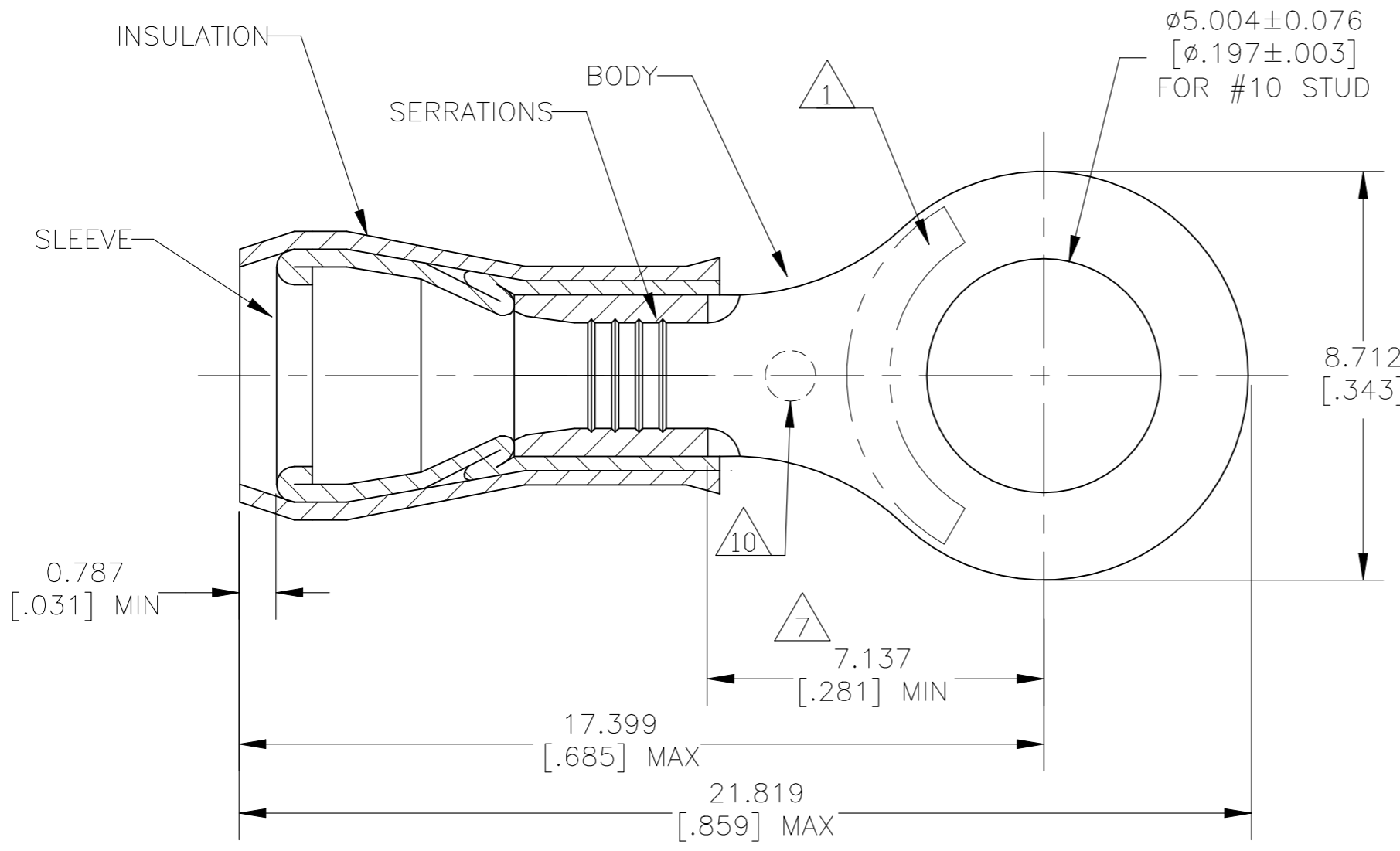


© - TE Connectivity. All Rights Reserved.

REVISIONS				
P	LTR	DESCRIPTION	DATE	APVD
W		REVISED PER ECR-22-152397	07OCT2022	BB DSC

AMP WIRE RANGE	UL Listed FILE E13288	SR LR7189 Certified
16-14 AWG SOLID OR STRANDED	16-14 AWG SOLID OR STRANDED	16-14 AWG SOLID OR STRANDED



- 1 STAMP AMP 16-14* APPROX AS SHOWN
- 2 BODY MATERIAL THK: 0.787±0.051[.031±.002]
- 3 WIRE INSULATION DIAMETER: Ø2.667[.105] TO Ø3.810[.150]
- 4 NOTE DELETED
- 5 NOTE DELETED
- 6 NOTE DELETED
- 7 APPLIES FROM EDGE OF METAL WIRE BARREL TO CENTER OF STUD HOLE
- 8 MATERIAL:
BODY & SLEEVE - COPPER PER ASTM B152
INSULATION - PVC
- 9 FINISH:
BODY & SLEEVE - TIN PLATE 0.00254[.000100]
MIN EXT THK PER ASTM B545
INSULATION COLOR - BLUE
- 10 "O" STAMP MARK OPTIONAL

1000	LOOSE PIECE	31900
QTY	PACKAGING TYPE	PART NO

AMP INCORPORATED CUSTOMER SERVICE SYSTEMS	
FOR ADDITIONAL PRODUCT INFORMATION OR COPIES OF DRAWINGS AND TECHNICAL DOCUMENTS	PRODUCT INFORMATION CENTER 1-800-522-6752
FOR APPLICATION TOOLING INFORMATION	TOOLING ASSISTANCE CENTER 1-800-722-1111
FOR ORDER ENTRY	1-800-526-5142

MAX RECOMMENDED OPERATING TEMPERATURE: 105° C [221° F]
VOLTAGE RATING: 300 V MAX
WIRE CROSS SECTIONAL AREA RANGE: 1.04-2.62mm ² [2050-5180] CIR MILS SOLID OR STRANDED

THIS DRAWING IS A CONTROLLED DOCUMENT.	
DIMENSIONS: mm [INCHES]	TOLERANCES UNLESS OTHERWISE SPECIFIED:
	0 PLC ± -
	1 PLC ± -
	2 PLC ± -
	3 PLC ± 0.127[.005]
	4 PLC ± -
	ANGLES ± -
MATERIAL	FINISH

DWN jr_ruth	03MAR10
CHK T MICHELUTTI	03MAR10
APVD T MICHELUTTI	03MAR10
PRODUCT SPEC	UL486A-B
APPLICATION SPEC	114-2157
WEIGHT	-

STE TE Connectivity			
NAME TERMINAL, RING TONGUE, PIDG WIRE SIZE: 16-14 AWG			
SIZE	CAGE CODE	DRAWING NO	RESTRICTED TO
A3	00779	C-31900	-
CUSTOMER DRAWING		SCALE 8:1	SHEET 1 OF 1 REV W