

**PLEASE CHECK WWW.MOLEX.COM FOR LATEST PART INFORMATION**

**Part Number:** [0395430204](#)  
**Status:** **Active**  
**Overview:** Eurostyle Terminal Blocks  
**Description:** 5.00mm Pitch Eurostyle 45° Wire Entry Fixed Mount PCB Terminal Block, with Screw Pressure Clamp, 4 Circuits

**Documents:**

[3D Model](#) [Drawing \(PDF\)](#)  
[3D Model \(PDF\)](#) [RoHS Certificate of Compliance \(PDF\)](#)

**Agency Certification**

UL E48521

**General**

Product Family Terminal Blocks  
 Series [39543](#)  
 Application N/A  
 Component Type One Piece  
 Overview [Eurostyle Terminal Blocks](#)  
 Product Name ESE, Eurostyle Fixed Mount  
 Type Euro Block  
 UPC 822350536677

**Physical**

Circuits (Loaded) 4  
 Entry Angle 45° Angle  
 Lock to Mating Part None  
 Number of Rows 1  
 Orientation 45° Angle  
 PC Tail Length 3.00mm  
 PCB Thickness - Recommended 2.00mm  
 Panel Mount No  
 Pitch - Mating Interface 5.00mm  
 Pitch - Termination Interface 5.00mm  
 Polarized to Mating Part N/A  
 Stackable No  
 Temperature Range - Operating -40° to +105°C  
 Wire Size AWG 14, 16, 18, 20, 22, 24  
 Wire Size mm<sup>2</sup> 0.20-2.08

**Electrical**

Current - Maximum per Contact 10.0A  
 Voltage - Maximum 300V

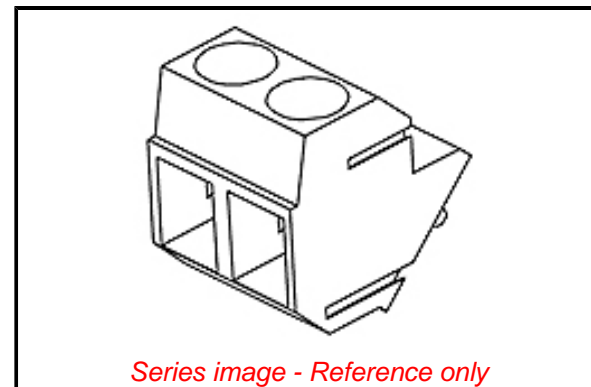
**Solder Process Data**

Duration at Max. Process Temperature (seconds) 005  
 Lead-free Process Capability WAVE  
 Max. Cycles at Max. Process Temperature 135  
 Process Temperature max. C 260

**Material Info**

**Reference - Drawing Numbers**

Sales Drawing SD-39543-001-001



**EU ELV**

**Not Relevant**

**EU RoHS**

**Not Reviewed**

**REACH SVHC**

Not Reviewed

**Halogen-Free**

**Status**

**Not Reviewed**

For more information, please visit [Contact US](#)

China ROHS Not Reviewed

ELV Not Relevant

RoHS Phthalates Not Reviewed

**Search Parts in this Series**

[39543 Series](#)

**PLEASE CHECK [WWW.MOLEX.COM](http://WWW.MOLEX.COM) FOR LATEST PART INFORMATION**