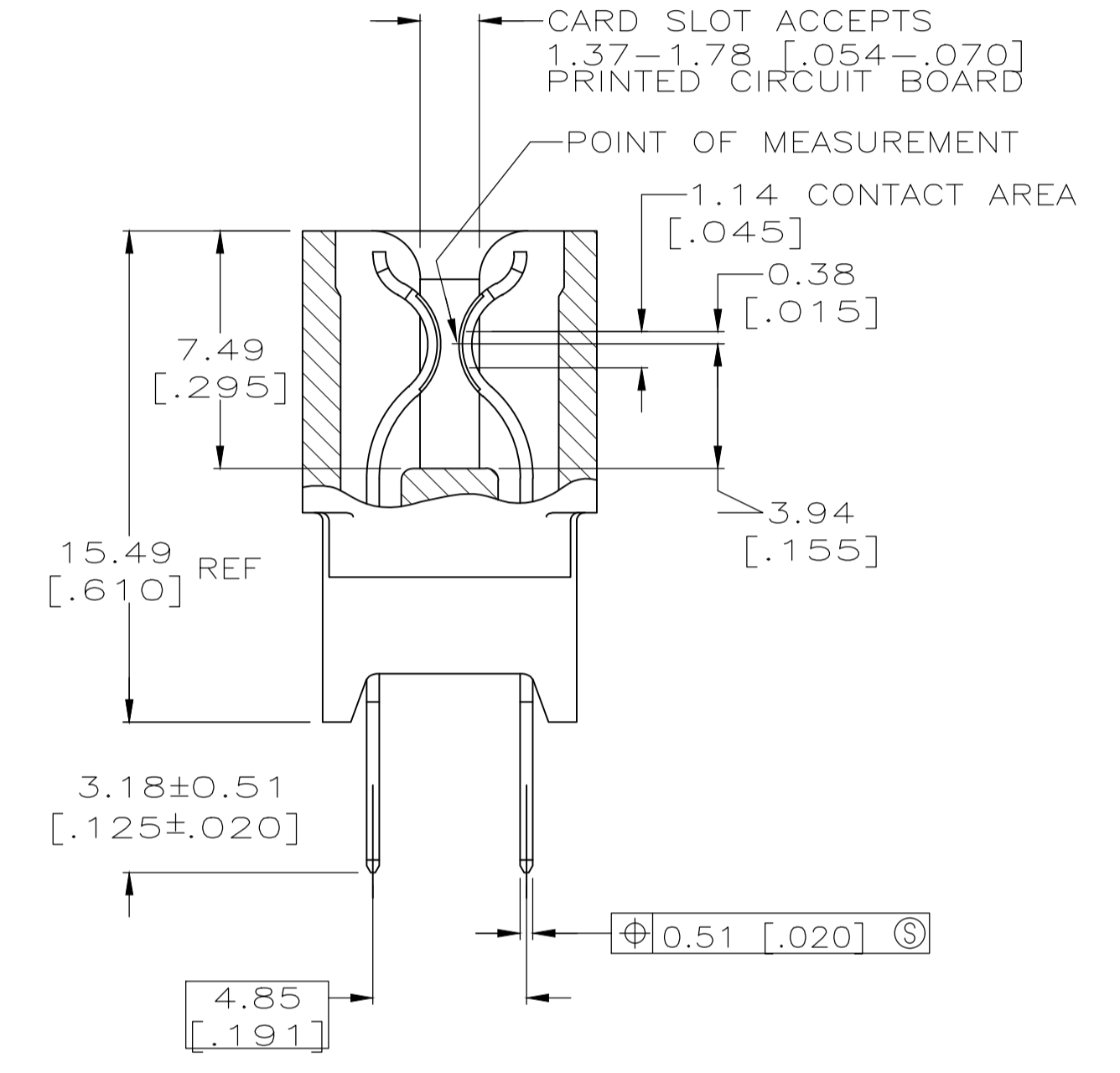
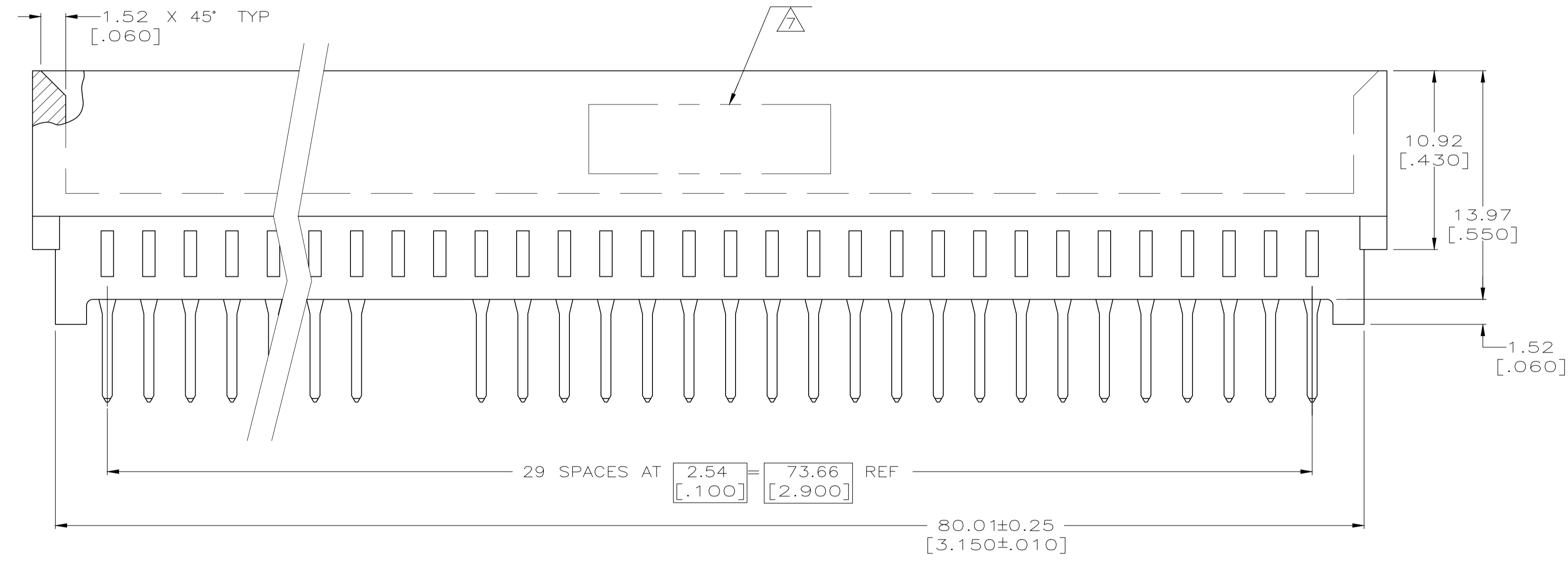
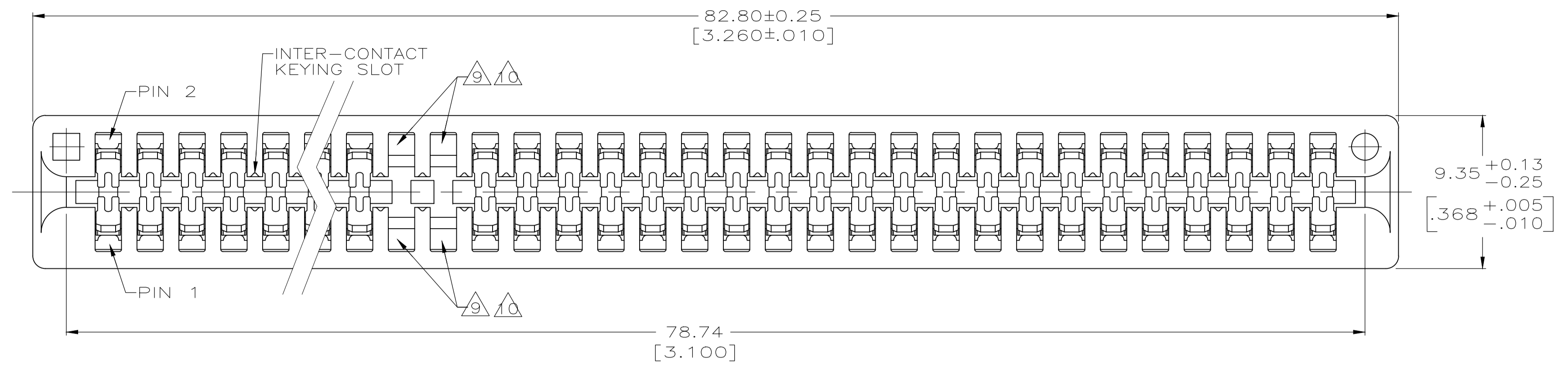


REVISIONS					
P	LTR	DESCRIPTION	DATE	DMN	APVD
A1	ECO-18-014843		19SEP2018	SZ	SZ



- 1 HOUSING: GLASS FILLED POLYESTER; COLOR: BLACK.
- 2 CONTACT: PHOSPHOR BRONZE.
- 3 NICKEL PLATE: 0.00127 [0.000050] MIN - ALL OVER.
- 4 MATTE TIN PLATE: 0.00254 [0.000100] MIN - SOLDER POSTS.
- 5 GOLD PLATE: 0.00076 [0.000030] MIN - CONTACT AREA.
- 6 NICKEL PLATE PER MIL-G-45204. GOLD PLATE PER QQ-N-290.
- 7 AMP PART NUMBER, DATE CODE AND CSA LOGO MAY BE MARKED IN APPROXIMATE AREA SHOWN, EITHER SIDE.
- 8. RECOMMENDED PCB FINISHED HOLE DIA:  $1.02 \pm 0.08$  [0.040 ± 0.003].
- 9 CONTACTS OMITTED FROM POSITION 15,16,17 AND 18.
- 10 CONTACTS OMITTED FROM POSITION 13,14,15 AND 16.

30	6489170-2
30	6489170-1
NO OF POSN	PART NUMBER

THIS DRAWING IS A CONTROLLED DOCUMENT.

DMN: AL FRANTUM 17 AUG 05	APVD: AL FRANTUM 17 AUG 05	NAME: -	RESTRICTED TO: -
DIMENSIONS: mm [INCHES]	TOLERANCES UNLESS OTHERWISE SPECIFIED:	PRODUCT SPEC: 108-9039	APPLICATION SPEC: -
0. PLC ± -	1. PLC ± -	SIZE: A1	SCALE: 5:1
2. PLC ± 0.13 [0.005]	3. PLC ± -	WEIGHT: 0.000000	SHEET: 1 OF 1
4. PLC ± -	ANGLES ± °	DRAWING NO: 00779	REV: A1
MATERIAL: 1, 2	FINISH: 3, 4, 5, 6	CUSTOMER DRAWING	TE Connectivity

CONNECTOR ASSEMBLY, STANDARD EDGE II, 2.54 [0.100] CL, SEL LOAD

6489170