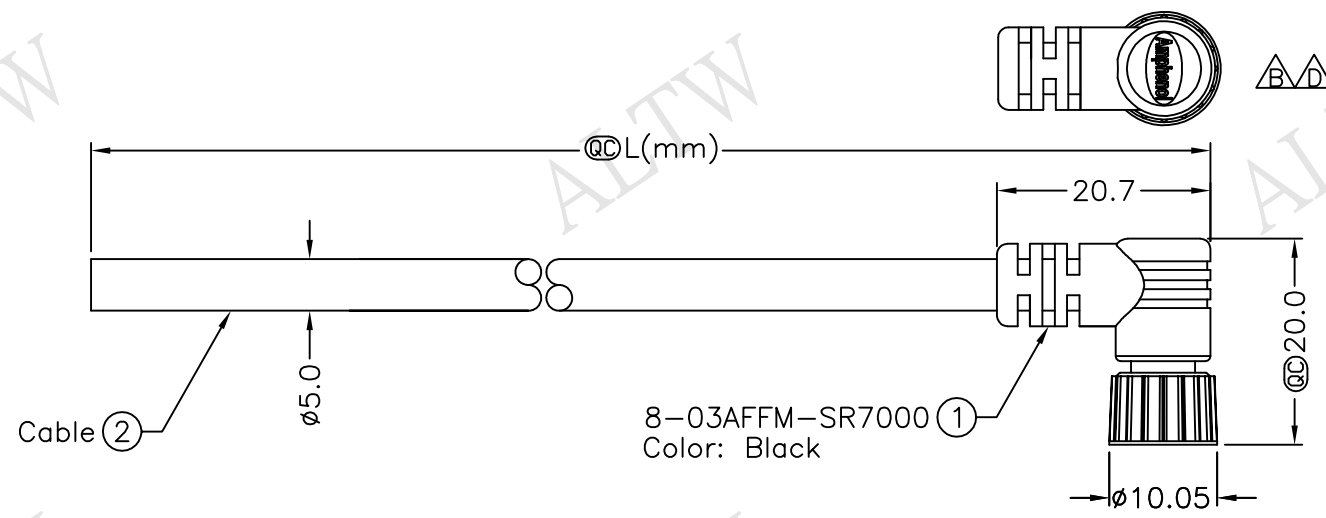
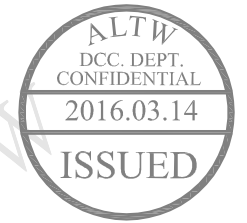


| REV. | ECN NO.        | DATE       | SIGN    | DESCRIPTION                      |
|------|----------------|------------|---------|----------------------------------|
| B    | LEN-780062     | 2007/06/06 | Kenneth | Add Projection. Apply New Format |
| C    | LEN-920194~197 | 2009/02/04 | Vicky   | Update the drawing               |
| D    | LEN1630140~143 | 2016/03/07 | Vicky   | Update Logo                      |

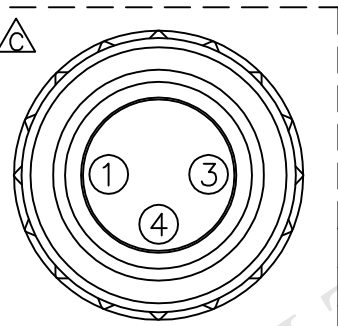


8-03AFFM-SR7000 ①  
Color: Black

8-03AFFM-SR7AXX  
 XX:01~99Meters  
 01:01Meter  
 02:02Meters  
 :  
 :  
 99:99Meters  
 Cable Length(L):01~99Meters



- Note:
- \* @C Important Dimension
  - \* Waterproof Rate: IP67
  - \* Connector: PU, Black
  - \* Female Pin: Copper Alloy, Gold Plated
  - \* Cable: UL2464 22AWG\*3C+Talcum, Black, PVC Jacket, UV Resistant, OD=5.0mm
  - \* Cable Length Tolerance:
    - 01M:±40mm
    - 02M~05M:±60mm
    - 06M~10M:±100mm
    - 11M~30M:±200mm
    - 31M~99M:±500mm



Pin Assignments  
Front View

|         |            |   |
|---------|------------|---|
| 4       | Black      | 黑 |
| 3       | Blue       | 藍 |
| 1       | Brown      | 棕 |
| Conn.   | Wire Color |   |
| Pin Out |            |   |

|           |      |       |                             |
|-----------|------|-------|-----------------------------|
| UNIT:mm   |      | TITLE | M8 Conn                     |
| TOLERANCE |      |       | Cable Screw 3P F Conn F Pin |
| ±0.5 mm   |      | SCALE | Free                        |
|           |      | SHEET | 1 OF 1                      |
| REV. D    | SIZE | A4    | @C :Inspection Item         |

|                     |  |                 |             |            |
|---------------------|--|-----------------|-------------|------------|
| <b>Amphenol LTW</b> |  | ITEM NO         | DRAWN BY    | DATE       |
| 安費諾亮泰企業股份有限公司       |  | DWG NO          | Vicky       | 2016/03/07 |
|                     |  | 8-03AFFM-SR7AXX | CHECKED BY  | DATE       |
|                     |  |                 | Rita        | 2016/03/07 |
|                     |  | CUSTOMER        | APPROVED BY | DATE       |
|                     |  | ALTW            | Lisa        | 2016/03/07 |

THIS DOCUMENT IS SUBJECT TO CHANGE WITHOUT NOTICE. IT IS CONFIDENTIAL AND A PROPERTY OF AMPHENOL LTW. DISCLOSURE TO THIRD PARTY HAS TO BE AUTHORIZED BY AMPHENOL LTW.