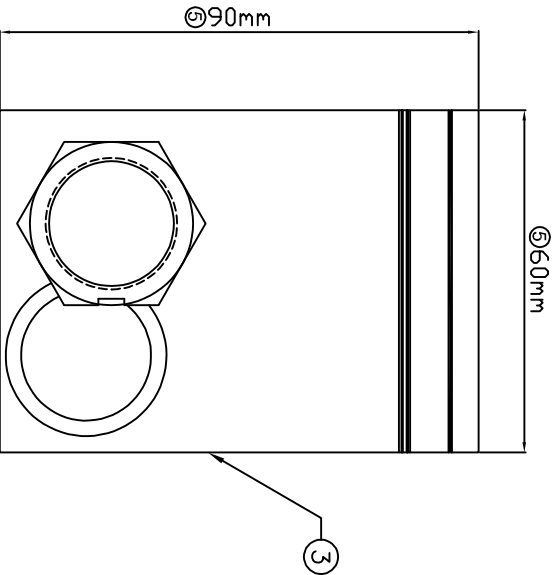
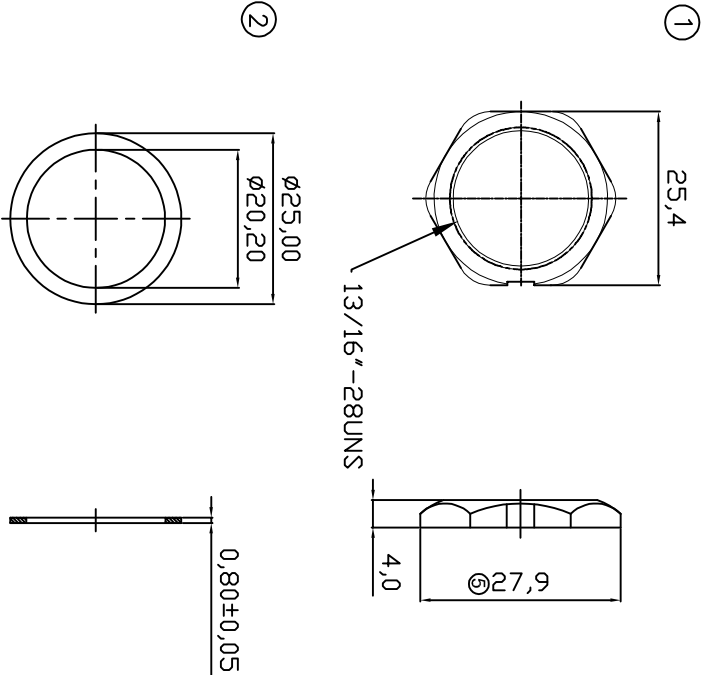


| | | | | | | | |
|---|---|---|---|---|---|---|---|
| 1 | 2 | 3 | 4 | 5 | 6 | 7 | A |
| 1 | 2 | 3 | 4 | 5 | 6 | 7 | A |
| 1 | 2 | 3 | 4 | 5 | 6 | 7 | B |
| 1 | 2 | 3 | 4 | 5 | 6 | 7 | C |
| 1 | 2 | 3 | 4 | 5 | 6 | 7 | D |
| 1 | 2 | 3 | 4 | 5 | 6 | 7 | E |
| 1 | 2 | 3 | 4 | 5 | 6 | 7 | F |
| 1 | 2 | 3 | 4 | 5 | 6 | 7 | G |
| 1 | 2 | 3 | 4 | 5 | 6 | 7 | H |

RoHS compliant
Unit: mm



| | | | | | |
|----|--------|-------|---------------|-------------|-----|
| ③ | PE Bag | | 1# | transparent | 1 |
| ② | Gasket | Black | EPDM | | 1 |
| ① | Nut | Black | Nylon+GF | | 1 |
| NO | NAME | COLOR | SPECIFICATION | | QTY |
| | | | | | ④ |

| Scale | Free | | | | |
|-----------|-------|---|--------------------|------------|---------|
| TOLERANCE | | | | | |
| X.X | ±0.25 | ⑥ | Update dimensions | 03.04.2018 | Amy |
| X.XX | ±0.10 | ④ | Update-remove note | 06.03.2015 | Hellwig |
| X.XXX | ±0.05 | ③ | Add tolerance | 22.05.2013 | Amy |
| DIM | TOL | ② | Update | 28.06.2010 | Alex |
| ANGLE | ±1° | ① | Drawn | 06.01.2006 | Hellwig |
| Angle | TOL | | Modification | | |

| | |
|-----------------|-------------|
| Customer-No. | |
| ASSMANN WSW-No. | A-ACCSET-1 |
| Drawing-No. | ASS 0534 C0 |
| Replace | rev05 |
| Sheet | |

