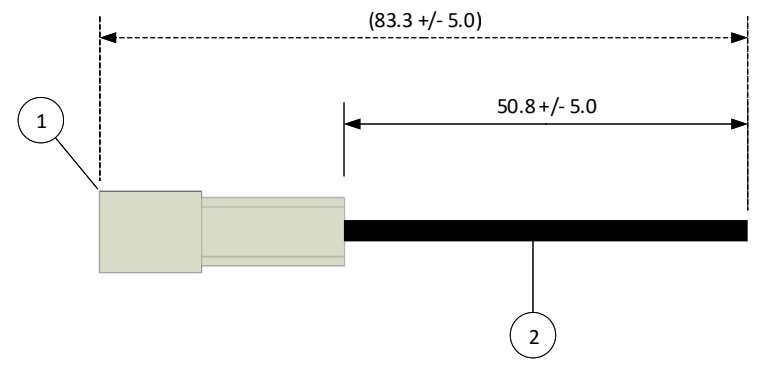
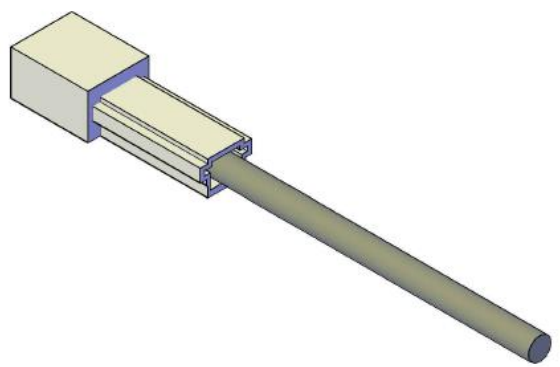


THIS DRAWING CONTAINS INFORMATION THAT IS PROPRIETARY TO J.S.T. AND SHALL NOT BE USED OR SHOWN WITHOUT WRITTEN PERMISSION.

	4	3	2	1
ITEM	CONNECTOR PART NO.	DESCRIPTION	IPI CHECK	EOR CHECK
1	RSFR-1VF	RSF CONNECTOR WHITE HOUSING, W-W		
2	SIM-51T-250N	TAB-IN TERMINAL – BRASS, TIN-PLATED		
3	UL1015, 16 AWG	BLACK		

Applicable Tooling
 APPLICATOR



JST

SCALE 1:1	CUSTOMER NAME	CUSTOMER PART NO.
DIMENSIONS All dimensions are in MM with a tolerance of +/- 3.0 unless otherwise specified.	DESCRIPTION 2" INSIDE LENGTH – 1 POSITION, LIF, POS LOCK, .250, W-W INSULATED RECT W/BLUNT LEADS, WHITE HSG MATES W/W-W PLUG01 RSFP16K51S	
DRAWN BY STEVEN PILKINGTON	ASSEMBLY PART NO. A01RSFR16K51S	
CHECKED BY JUSTIN BAKER	DRAWING NO. & REVISION GAM-115	REVISED 3/11/2016

REV.	DESCRIPTION	DATE	BY

4 | 3 | 2 | 1