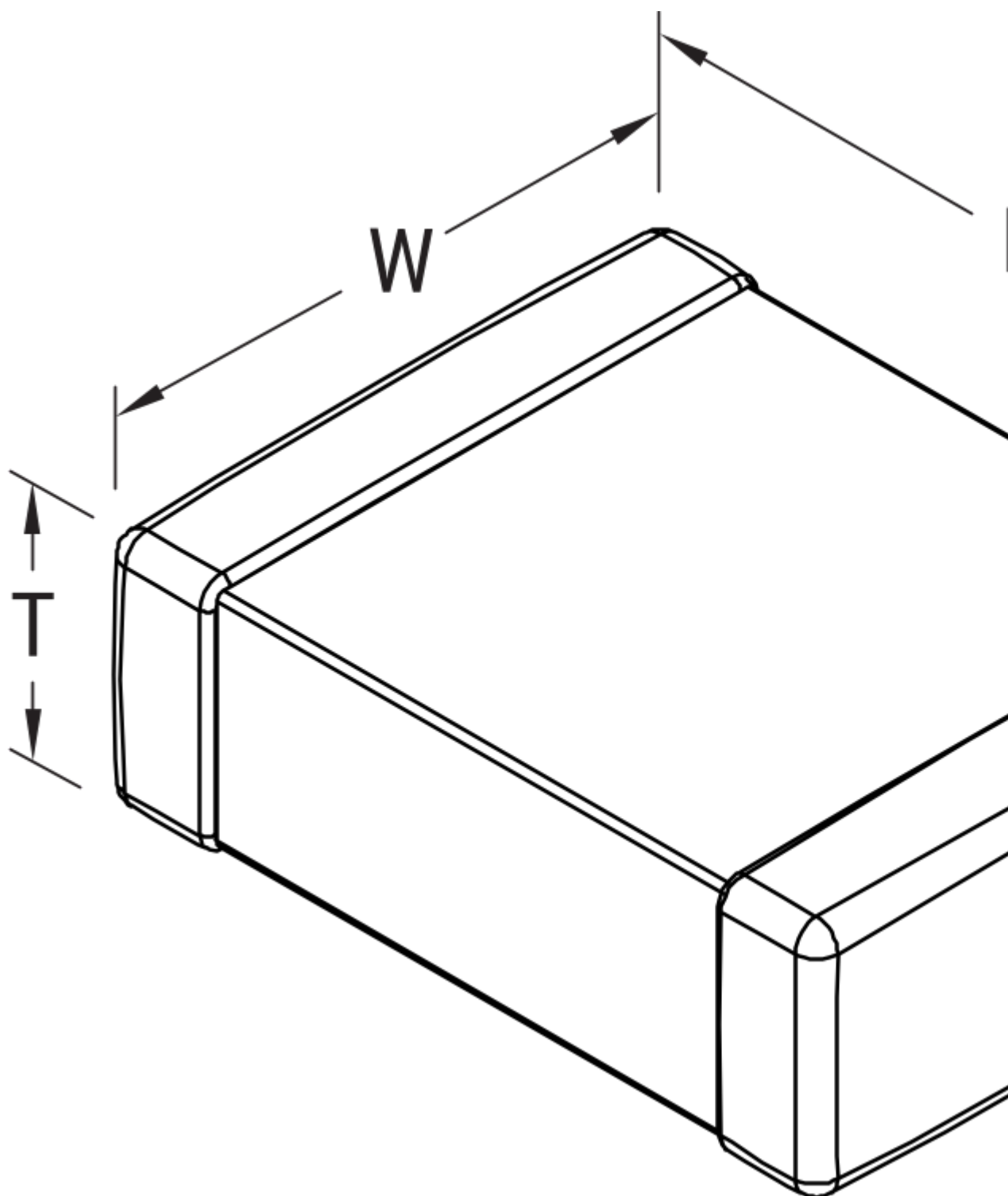


C1206X154F8JACAUTO

SMD Auto U2J Flex, Ceramic, 0.15 uF, 1%, 10 VDC, U2J, SMD, MLCC, FT-CAP, Ultra-Stable, Automotive Grade, 1206



Click [here](#) for the 3D model.

Dimensions

Chip Size 1206

L	3.3mm +/-0.4mm
W	1.6mm +/-0.35mm
T	1.2mm +/-0.15mm

Dimensions

B 0.6mm +/-0.25mm

Packaging Specifications

Packaging T&R, 180mm, Plastic Tape

Packaging Quantity 2500

General Information

Series SMD Auto U2J Flex
Style SMD Chip
Description SMD, MLCC, FT-CAP, Ultra-Stable, Automotive Grade
Features FT-CAP, Ultra-Stable, Automotive Grade
RoHS Yes
Termination Flexible Termination
Marking No
Qualifications AEC-Q200
AEC-Q200 Yes
Component Weight 30 mg
Shelf Life 78 Weeks
MSL 1

Specifications

Capacitance 0.15 uF
Measurement Condition 1 kHz 1.0Vrms
Capacitance Tolerance 1%
Voltage DC 10 VDC
Dielectric Withstanding Voltage 25 VDC
Temperature Range -55/+125°C
Temperature Coefficient U2J
Capacitance Change with Reference to +25°C and 0 VDC Applied (TCC) -750+/-120 ppm/C, 1kHz 1.0Vrms
Dissipation Factor 0.1% 1 kHz 1.0Vrms
Aging Rate 0.1% Loss/Decade Hour: Referee Time is 1000 Hours
Insulation Resistance 6.6667 GOhms

Statements of suitability for certain applications are based on our knowledge of typical operating conditions for such applications, but are not intended to constitute - and we specifically disclaim - any warranty concerning suitability for a specific customer application or use. This Information is intended for use only by customers who have the requisite experience and capability to determine the correct products for their application. Any technical advice inferred from this Information or otherwise provided by us with reference to the use of our products is given gratis, and we assume no obligation or liability for the advice given or results obtained.

Generated 5/18/2023 - 8d7d898d-1586-4d39-a7cf-5ceb1830660c

© 2006 - 2023 KEMET

Generated 5/18/2023 - 8d7d898d-1586-4d39-a7cf-5ceb1830660c

© 2006 - 2023 KEMET