

## Evaluation Board For CS42438

### Features

- Single-ended/Single-ended to Differential Analog Inputs
- Single-ended/Differential to Single-ended Analog Outputs
- CS8406 S/PDIF Digital Audio Transmitter
- CS8416 S/PDIF Digital Audio Receiver
- Header for Optional External Software Configuration of CS42438
- Header for External DSP Serial Audio I/O
- 3.3 V Logic Interface
- Pre-defined Software Scripts
- S/PDIF-to-TDM Conversion for Easy Evaluation of the TDM Digital Interface
- Demonstrates Recommended Layout and Grounding Arrangements
- Windows® Compatible Software Interface to Configure CS42438 and Inter-board Connections

### Description

The CDB42438 evaluation board is an excellent means for evaluating the CS42438 CODEC. Evaluation requires an analog/digital signal source and analyzer, and power supplies. Optionally, a Windows® PC compatible computer may be used to evaluate the CS42438 in software mode.

System timing can be provided by the CS8416, or by a DSP I/O stake header with a DSP connected. System timing for TDM mode is provided by an FPGA using clocks derived from the CS8416 or DSP I/O header.

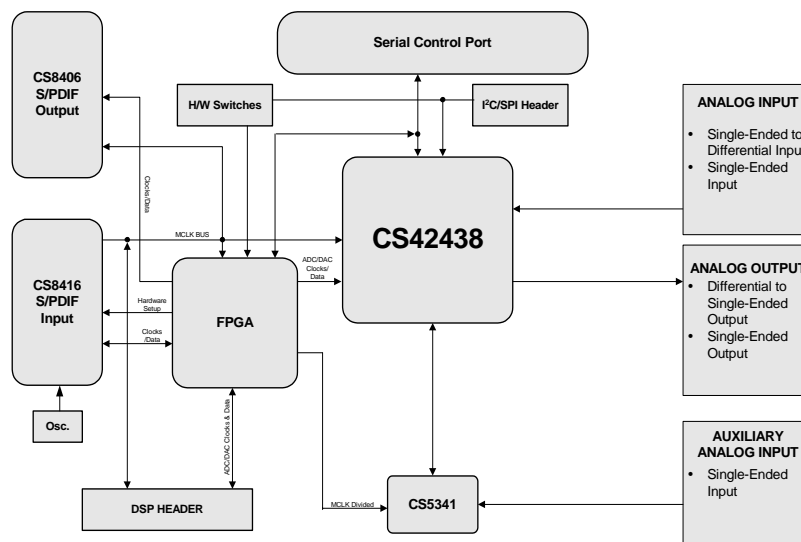
RCA phono jacks are provided for the CS42438 analog inputs and outputs. Digital data I/O is available via RCA phono or optical connectors to the CS8416 and CS8406. 6 pre-defined board setup options are selectable using a 6-position DIP switch.

The Windows® software provides a GUI to make configuration of the CDB42438 easy. The software communicates through the PC's serial port to configure the control port registers so that all features of the CS42438 can be evaluated. The evaluation board may also be configured to accept external timing and data signals for operation in a user application during system development.

### ORDERING INFORMATION

CDB42438

Evaluation Board



**TABLE OF CONTENTS**

<b>1. SYSTEM OVERVIEW</b>	<b>4</b>
1.1 Power	4
1.2 Grounding and Power Supply Decoupling	4
1.3 FPGA	4
1.4 CS42438 Audio CODEC	4
1.5 CS8406 Digital Audio Transmitter	4
1.6 CS8416 Digital Audio Receiver	5
1.7 CS5341	5
1.8 Canned Oscillator	5
1.9 External Control Headers	5
1.10 Analog Input	6
1.11 Analog Outputs	6
1.12 Serial Control Port	6
1.13 USB Control Port	6
<b>2. SOFTWARE MODE</b>	<b>7</b>
2.1 Advanced Register Debug Tab	7
<b>3. FPGA SYSTEM OVERVIEW</b>	<b>9</b>
3.1 FPGA Setup	9
3.1.1 S/PDIF In, S/PDIF Out (SPDIF1-4)	9
3.1.2 Analog In, Analog Out (Digital Loopback)	9
3.1.3 DSP Routing	9
3.2. Internal Sub-Clock Routing	10
3.3. Internal Data Routing	11
3.4. Internal TDM Conversion, MUXing and Control (TDMer)	12
3.5 External MCLK Control	13
3.5.1 CS5341 MCLK	13
3.5.2 TDMer MCLK	13
3.6 Bypass Control - Advanced	14
<b>4. FPGA REGISTER QUICK REFERENCE</b>	<b>15</b>
<b>5. FPGA REGISTER DESCRIPTION</b>	<b>16</b>
<b>6. HARDWARE MODE</b>	<b>24</b>
6.1 Setup Options	24
<b>7. CDB CONNECTORS AND JUMPERS</b>	<b>27</b>
<b>8. CDB BLOCK DIAGRAM</b>	<b>29</b>
<b>9. CDB SCHEMATICS</b>	<b>30</b>
<b>10. CDB LAYOUT</b>	<b>48</b>
<b>11. REVISION HISTORY</b>	<b>51</b>

**LIST OF FIGURES**

Figure 1. Advanced Register Tab - CS42438 .....	7
Figure 2. Advanced Register Tab - FPGA .....	8
Figure 3. Internal Sub-Clock Routing .....	10
Figure 4. Internal Data Routing .....	11
Figure 5. TDMer .....	12
Figure 6. External MCLK Control .....	13
Figure 7. Block Diagram.....	29
Figure 8. CS42438 .....	30
Figure 9. DSP Header.....	31
Figure 10. S/PDIF Input .....	32
Figure 11. S/PDIF Output.....	33
Figure 12. FPGA .....	34
Figure 13. FPGA Connections .....	35
Figure 14. Control Port.....	36
Figure 15. Control Port Connections.....	37
Figure 16. Analog Input 1-2.....	38
Figure 17. Analog Input 3-4.....	39
Figure 18. Analog Input 5.....	40
Figure 19. Analog Input 6.....	41
Figure 20. Analog Input 7-8.....	42
Figure 21. Analog Output 1-2.....	43
Figure 22. Analog Output 3-4.....	44
Figure 23. Analog Output 5-6.....	45
Figure 24. Analog Output 7-8.....	46
Figure 25. Power.....	47
Figure 26. Silk Screen.....	48
Figure 27. Top side Layer .....	49
Figure 28. Bottom side Layer.....	50

**LIST OF TABLES**

Table 1. Data to SDIN.....	16
Table 2. Clocks toCODEC .....	17
Table 3. Data to CS8406.....	17
Table 4. Data to DSP .....	20
Table 5. System Connections .....	27
Table 6. Jumper Settings .....	28
Table 7. Revision History .....	51

## 1. SYSTEM OVERVIEW

The CDB42438 evaluation board is an excellent means for evaluating the CS42438 CODEC. Analog and digital audio signal interfaces are provided, an FPGA used for easily configuring the board and a 9-pin serial cable for use with the supplied Windows® configuration software.

The CDB42438 schematic set has been partitioned into 18 pages and is shown in Figures 8 through 25.

### 1.1 Power

Power must be supplied to the evaluation board through the +5.0 V, +12.0 V and -12.0 V binding posts. Jumper J1 connects the VA supply to a fixed +5.0 V or +3.3 V supply. VD, VLS and VLC are all hard-tied to +3.3 V. All voltage inputs must be referenced to the single black binding post ground connector (Figure 25 on page 47).

WARNING: Please refer to the CS42438 data sheet for allowable voltage levels.

### 1.2 Grounding and Power Supply Decoupling

The CS42438 requires careful attention to power supply and grounding arrangements to optimize performance. Figure 8 on page 30 provides an overview of the connections to the CS42438. Figure 26 on page 48 shows the component placement. Figure 27 on page 49 shows the top layout. Figure 28 on page 50 shows the bottom layout. The decoupling capacitors are located as close to the CS42438 as possible. Extensive use of ground plane fill in the evaluation board yields large reductions in radiated noise.

### 1.3 FPGA

See “FPGA System Overview” on page 9 for a complete description of how the FPGA (Figure 12 on page 34) is used on the CDB42438.

### 1.4 CS42438 Audio CODEC

A complete description of the CS42438 (Figure 8 on page 30) is included in the CS42438 product data sheet.

The required configuration settings of the CS42438 are made in its control port registers, accessible through the “CS42438” tab of the Cirrus Logic FlexGUI software.

Clock and data source selections are made in the control port of the FPGA, accessible through the “FPGA” tab of the Cirrus Logic FlexGUI software. Refer to registers “CODEC SDIN Control (address 02h)” on page 16 and “CODEC Clock Control (address 03h)” on page 17 for configuration settings.

### 1.5 CS8406 Digital Audio Transmitter

A complete description of the CS8406 transmitter (Figure 11 on page 33) and a discussion of the digital audio interface are included in the CS8406 data sheet.

The CS8406 converts the PCM data generated by the CS42438 to the standard S/PDIF data stream. The CS8406 operates in slave mode, accepting either a 128Fs or 256Fs master

clock on the OMCK input pin, and can operate in either the Left-Justified or I<sup>2</sup>S interface format.

Selections are made in the control port of the FPGA, accessible through the “FPGA” tab of the Cirrus Logic FlexGUI software. Refer to register “CS8406 Control (address 04h)” on page 17 for configuration settings.

## 1.6 CS8416 Digital Audio Receiver

A complete description of the CS8416 receiver (Figure 10 on page 32) and a discussion of the digital audio interface are included in the CS8416 data sheet.

The CS8416 converts the input S/PDIF data stream into PCM data for the CS42438 and operates in master or slave mode, generating either a 128Fs or 256Fs master clock on the RMCK output pin, and can operate in either the Left-Justified or I<sup>2</sup>S interface format.

Selections are made in the control port of the FPGA, accessible through the “FPGA” tab of the Cirrus Logic FlexGUI software. Refer to register “CS8416 Control (address 05h)” on page 18 for configuration settings.

## 1.7 CS5341

A complete description of the CS5341 Audio ADC (Figure 20 on page 42) is included in the CS5341 data sheet.

The CS5341 is connected to the AUX port of the CS42438 and is used only in the TDM interface format of the CODEC. The AUX port of the CS42438 masters the CS5341 and accepts either Left-Justified or I<sup>2</sup>S data on AUX\_SDIN.

Selections are made in the control port of the FPGA, accessible through the “FPGA” tab of the Cirrus Logic FlexGUI software. Refer to register “CS5341 and Miscellaneous Control (Address 08h)” on page 22 for configuration settings.

## 1.8 Canned Oscillator

Oscillator Y1 provides a system master clock. This clock is routed through the CS8416 and out the RMCK pin when the S/PDIF input is disconnected (refer to the CS8416 data sheet for details on OMCK operation). To use the canned oscillator as the source of the MCLK signal, remove the S/PDIF input to the CS8416 and configure the CS8416 appropriately.

The oscillator is mounted in pin sockets, allowing easy removal or replacement. The board is shipped with a 12.2880 MHz crystal oscillator populated at Y1.

## 1.9 External Control Headers

The evaluation board has been designed to allow interfacing with external systems via the headers J11 and J24.

The 10-pin, 2 row header, J24, provides access to the serial audio signals required to interface with a DSP (see Figure 9 on page 31).

Selections are made in the control port of the FPGA, accessible through the “FPGA” tab of the Cirrus Logic FlexGUI software. Refer to register “DSP Header Control (address 07h)” on page 20 for configuration settings

The 12-pin, 3 row header, J11, allows the user bidirectional access to the SPI/I<sup>2</sup>C control signals by simply removing all the shunt jumpers from the “PC” position. The user may then choose to connect a ribbon cable to the “EXTERNAL” position. A single “GND” row for the ribbon cable’s ground connection is provided to maintain signal integrity. Two unpopulated pull-up resistors are also available should the user choose to use the CDB for the I<sup>2</sup>C power rail.

### 1.10 Analog Input

RCA connectors supply the CS42438 analog inputs through unity gain, AC-coupled single-ended to differential circuits. The inputs may also be driven single-ended by shunting the appropriate stake headers labeled “Single In”. A 1 V<sub>rms</sub> single-ended signal into the RCA connectors will drive the CS42438 inputs to full scale.

### 1.11 Analog Outputs

The CS42438 analog outputs may be routed either through a single-pole RC passive filter, or a differential to single-ended 2-pole active filter.

### 1.12 Serial Control Port

A graphical user interface is included with the CDB42438 to allow easy manipulation of the registers in the CS42438 (see the CS42438 data sheet for register descriptions) and FPGA (see section 5 on page 16 for register descriptions). Connecting a cable to the RS-232 connector (J7) and launching the Cirrus Logic FlexGUI software will enable the CDB42438.

Refer to “Software Mode” on page 7 for a description of the Graphical User Interface (GUI).

### 1.13 USB Control Port

The USB control port connector (J12) is currently unavailable.

## 2. SOFTWARE MODE

The CDB42438 is shipped with a Microsoft Windows® based GUI, which allows control over the CS42438 and FPGA registers. Interface to the GUI is provided using an RS-232 serial cable. Once the appropriate cable is connected between the CDB42438 and the host PC, load “Flex-Loader.exe” from the CDB42438 directory. Once loaded, all registers are set to their default reset state. The GUI’s “File” menu provides the ability to save and load script files containing all of the register settings. Sample script files are provided for basic functionality. Refer to section 3.1 on page 9 for details.

### 2.1 Advanced Register Debug Tab

The Advanced Register Debug tab provides low level control over the CS42438 and FPGA individual register settings. Each device is displayed on a separate tab. Register values can be modified bit-wise or byte-wise. For bit-wise, click the appropriate push button for the desired bit. For byte-wise, the desired hex value can be typed directly in the register address box in the register map.

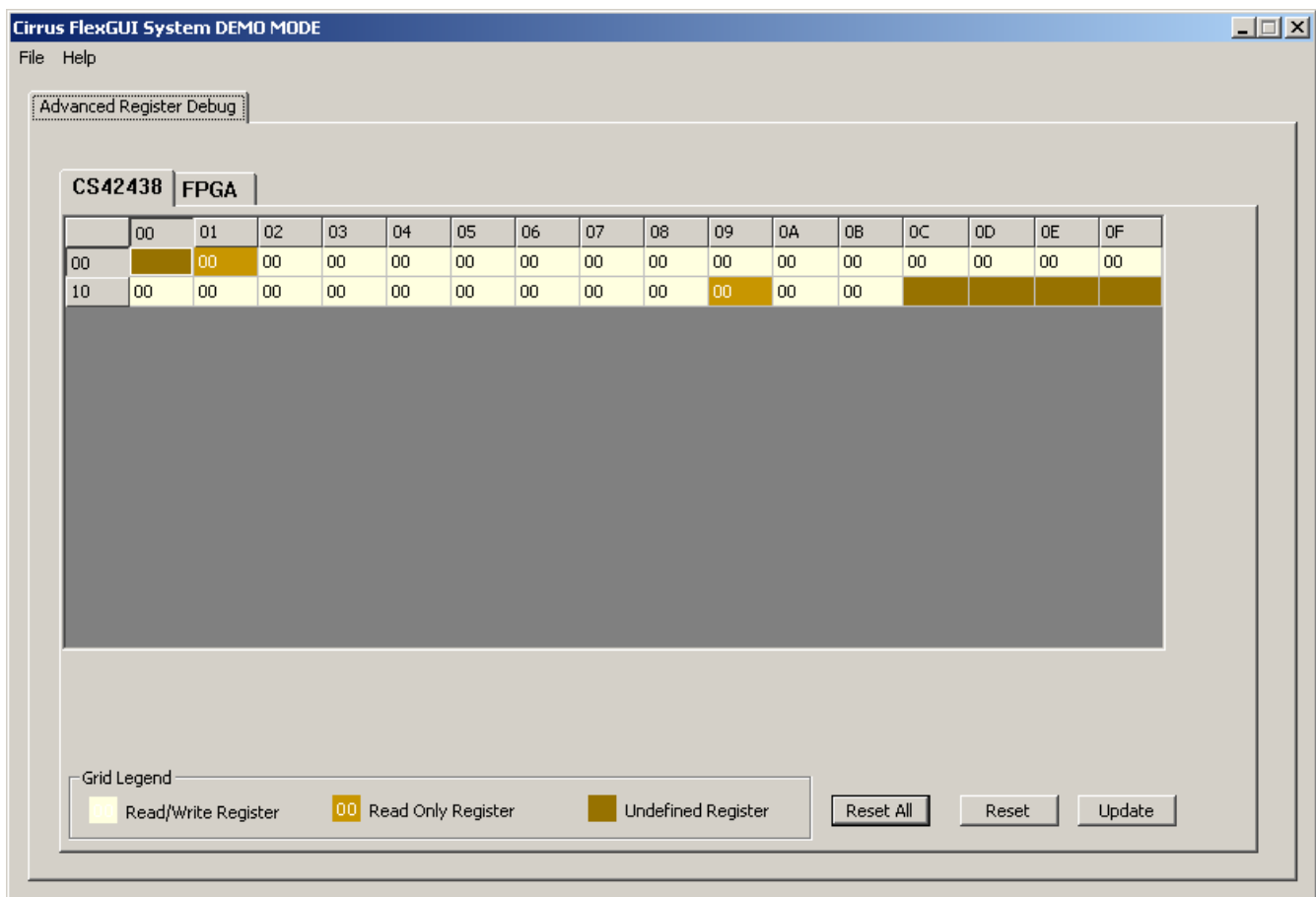
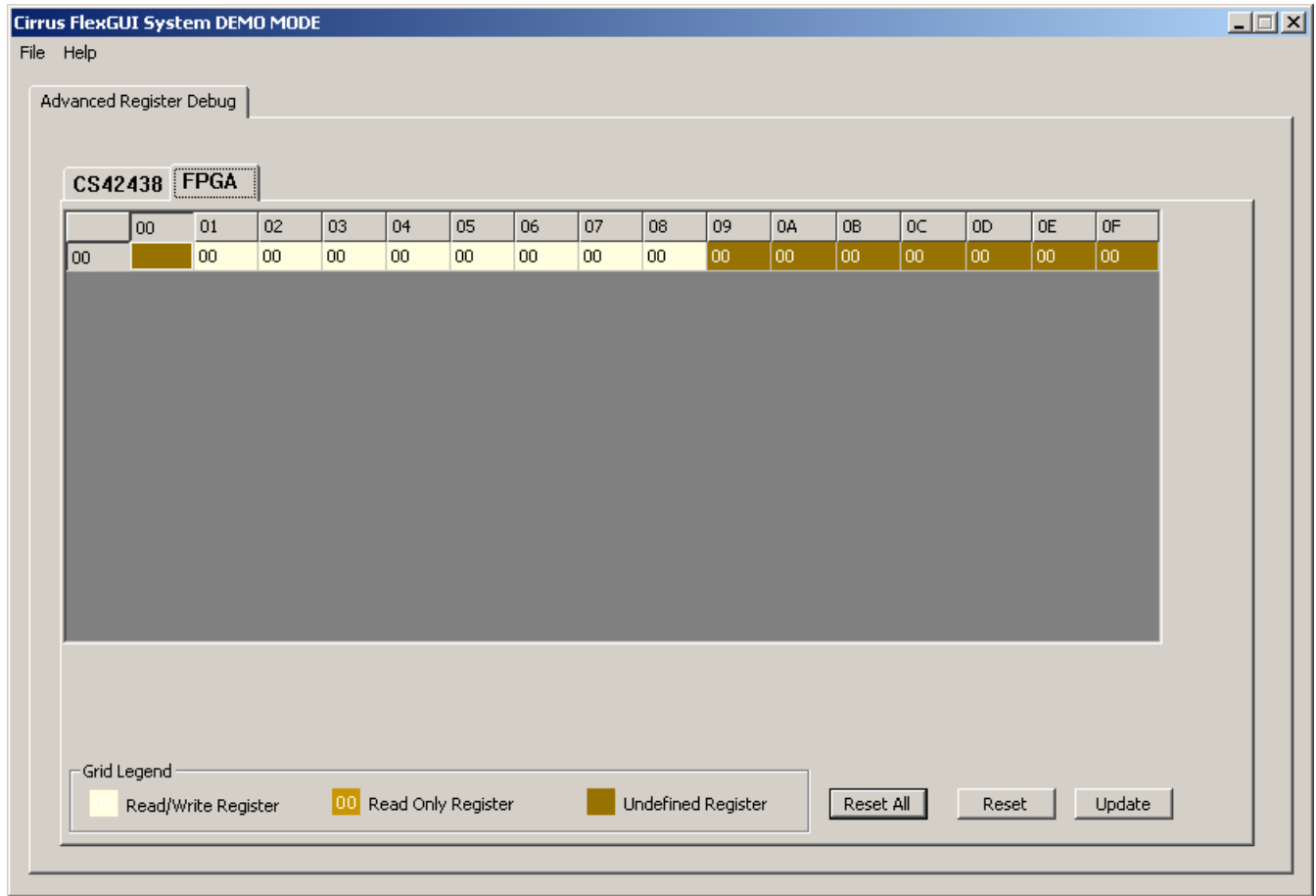


Figure 1. Advanced Register Tab - CS42438



**Figure 2. Advanced Register Tab - FPGA**



### 3. FPGA SYSTEM OVERVIEW

The FPGA (U16) controls all digital signal routing between the CS42438, CS8406 CS8416, CS5341 and the DSP I/O Header. For easy evaluation of the TDM interface format of the CS42438, the FPGA will copy stereo PCM data from either the CS8416 or DSP I/O Header onto one data line at a 256Fs data rate. It will in turn de-multiplex the TDM data from the CS42438 and output stereo channel pairs to the CS8406.

#### 3.1 FPGA Setup

Sections 3.2 to 3.4 show graphical descriptions of the routing topology internal to the FPGA. Section 3.5 shows the graphical description of the FPGA's control of the MCLK bus. And section 3.6 provides details for routing clocks and data, bypassing the FPGA (recommended for more advanced users only). Refer to "FPGA Register Description" on page 16 for all configuration settings.

The board may also be configured simply by choosing from 6 pre-defined scripts provided in the supplied CD ROM. The pre-defined scripts, along with a brief description, are shown below.

##### 3.1.1 S/PDIF In, S/PDIF Out (SPDIF1-4)

This script sets up the CDB42438 to operate the CS8416 as the master and all other devices as slave. The CS8416 masters the MCLK bus.

Various permutations of this option exist as S/PDIF1, S/PDIF2, S/PDIF3 and S/PDIF4. Each permutation signifies which ADC data is transmitted to the CS8406.

The CS42438 operates in the TDM digital interface format. The FPGA copies PCM data from the CS8416 onto one data line and transmits this data to the DAC\_SDIN input.

##### 3.1.2 Analog In, Analog Out (Digital Loopback)

This script sets up the CDB42438 to operate the crystal oscillator as the master. The CS8416 passes the signal from the crystal oscillator, Y1, through its OMCK input and out its RMCK output (NOTE: the S/PDIF input must be disconnected). The CS8416 then generates sub clocks derived from the crystal oscillator and input to the FPGA for TDM clock generation. The FPGA then masters the sub clocks to the CS42438.

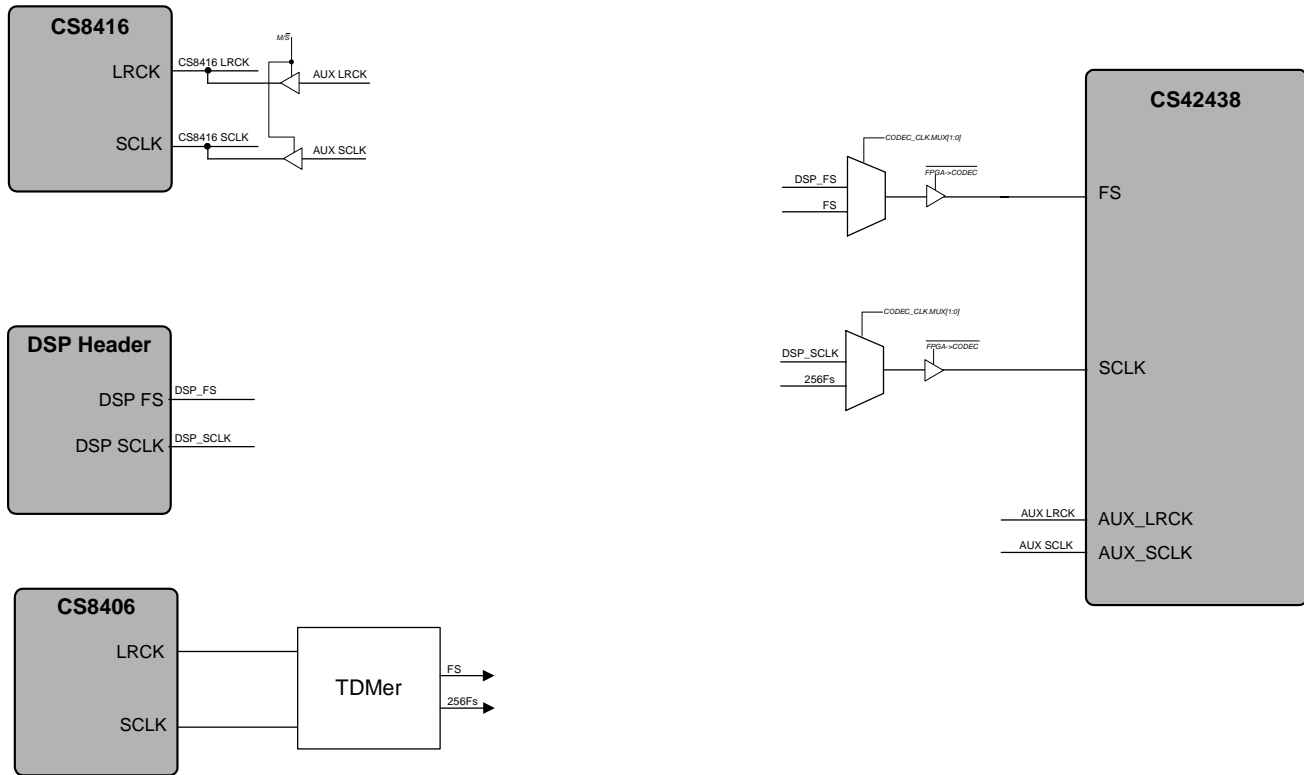
The CS42438 operates in the TDM digital interface format, looping ADC\_SDOOUT back into the DAC\_SDIN input. ADC1-3 appear on DAC1-3 and the CS5341 ADC appears on DAC4.

##### 3.1.3 DSP Routing

This script sets up the CDB42438 to operate the device attached to the DSP Header as the master and all other devices as slave. The DSP Header masters the MCLK bus.

### 3.2. Internal Sub-Clock Routing

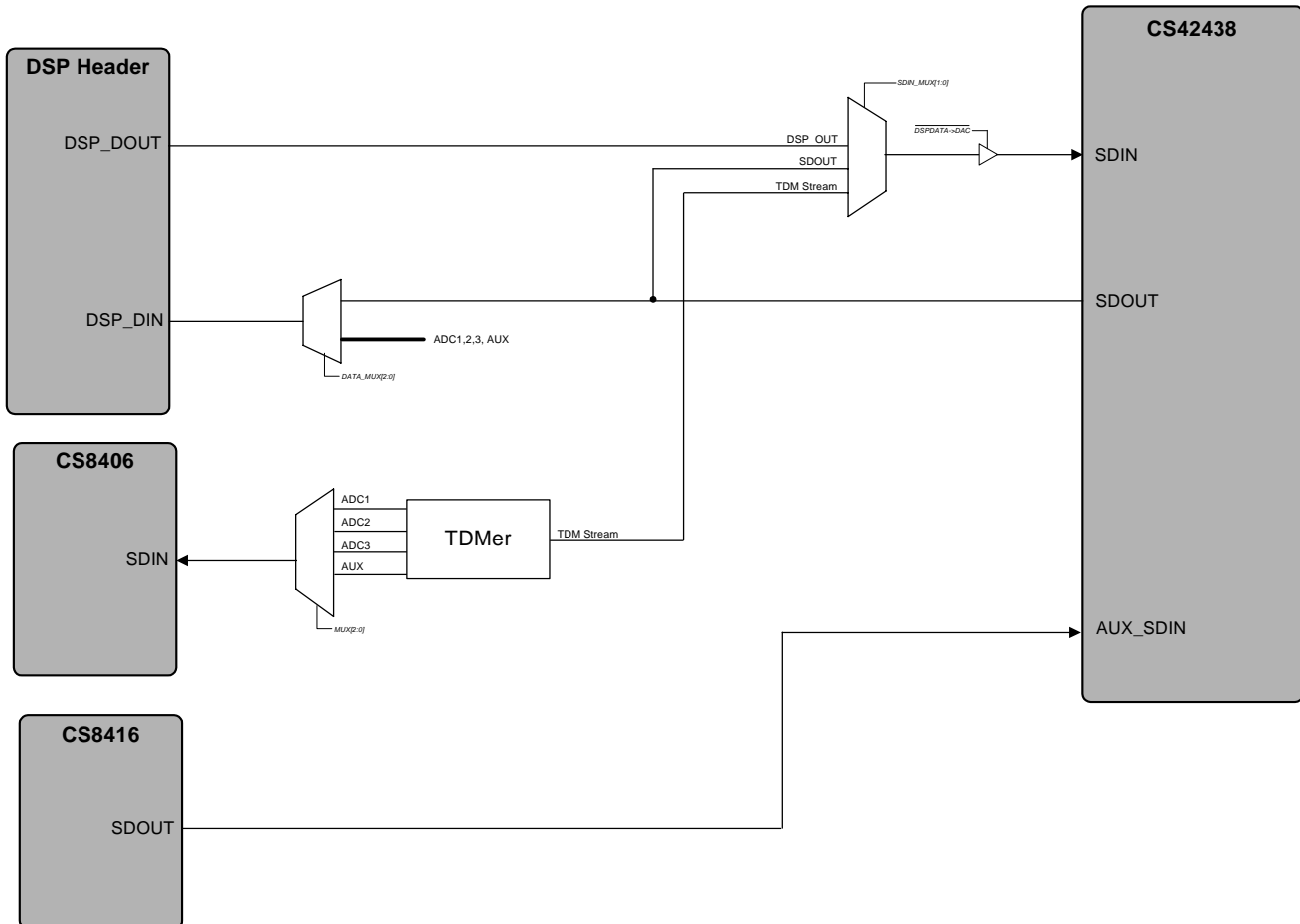
The graphical description below shows the internal clock routing topology between the CS42438, CS8416, CS8406 and DSP Header. Refer to registers “CODEC Clock Control (address 03h)” on page 17, “CS8406 Control (address 04h)” on page 17 and “CS8416 Control (address 05h)” on page 18 for configuration settings.



**Figure 3. Internal Sub-Clock Routing**

### 3.3. Internal Data Routing

The graphical description below shows the internal data routing topology between the CS42438, CS8416, CS8406 and DSP Header. Refer to registers “CODEC SDIN Control (address 02h)” on page 16, “CS8406 Control (address 04h)” on page 17 and “DSP Header Control (address 07h)” on page 20 for configuration settings.



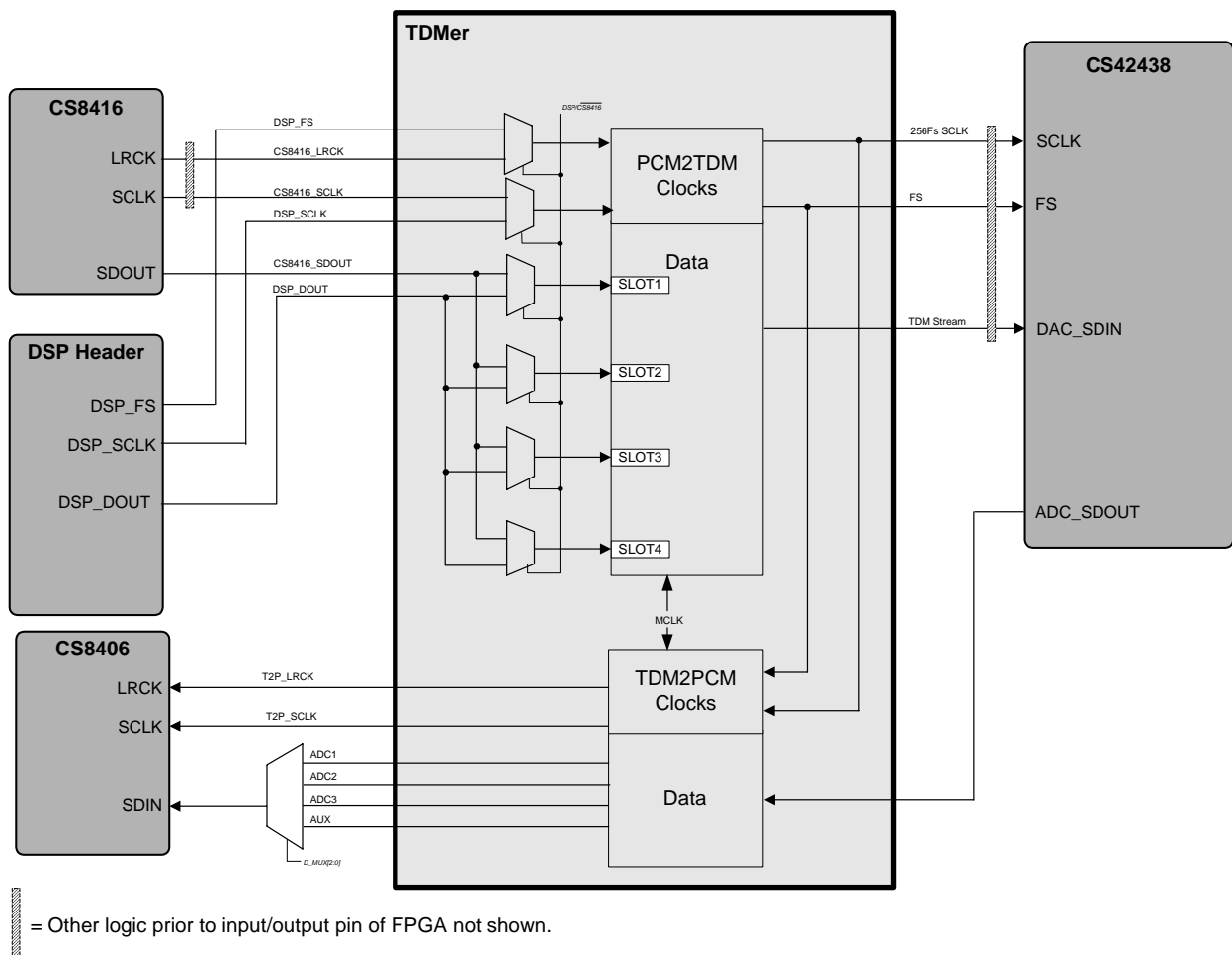
**Figure 4. Internal Data Routing**

### 3.4. Internal TDM Conversion, MUXing and Control (TDMer)

The graphical description below shows the routing topology of the TDM converter between the CS42438, CS8416, CS8406 and DSP Header. Refer to register “TDM Conversion (address 01h)” on page 16 for configuration settings.

The TDMer allows the user to easily evaluate the CS42438 in the TDM digital interface format. A 256Fs clock and an FS pulse is derived from either the CS8416 or DSP Header. Data is multiplexed onto one data line and transmitted to the DAC. Likewise, data from the ADC of the CS42438 is de-multiplexed and transmitted to the CS8406.

The TDMer is also capable of transmitting the de-multiplexed data to the DSP Header; however, the user must re-time this data using a DSP. The CDB42438 does not provide an option for routing the TDM2PCM clocks to the DSP Header.



**Figure 5. TDMer**

### 3.5 External MCLK Control

Several sources for MCLK exist on the CDB42438. The crystal oscillator, Y1, will master the MCLK bus when no S/PDIF signal is input to the CS8416 (refer to the CS8416 data sheet for details on OMCK operation). This signal will be driven directly out the CS8416.

The CS8416 will generate a master clock whenever its internal PLL is locked to the incoming S/PDIF stream. This MCLK signal from the CS8416 can be taken off the MCLK bus by setting the “RMCK\_Master” bit in the register “CS8416 Control (address 05h)” on page 18.

The DSP Header can master or slave the MCLK bus by setting the “MCLK\_M/S” bit in the register “DSP Header Control (address 07h)” on page 20 accordingly.

#### 3.5.1 CS5341 MCLK

To accommodate an MCLK signal greater than 25 MHz on the MCLK bus, a 2.0 divider internal to the FPGA has been implemented. The divided MCLK signal is routed only to the CS5341. Refer to register “CS5341 and Miscellaneous Control (Address 08h)” on page 22 for the required setting.

#### 3.5.2 TDMer MCLK

MCLK signals greater than 256Fs must be divided accordingly to maintain a 256Fs MCLK signal into the TDMer. A 1.5 and a 2.0 divider has been implemented inside the FPGA. Refer to register “CS5341 and Miscellaneous Control (Address 08h)” on page 22 for the required setting.

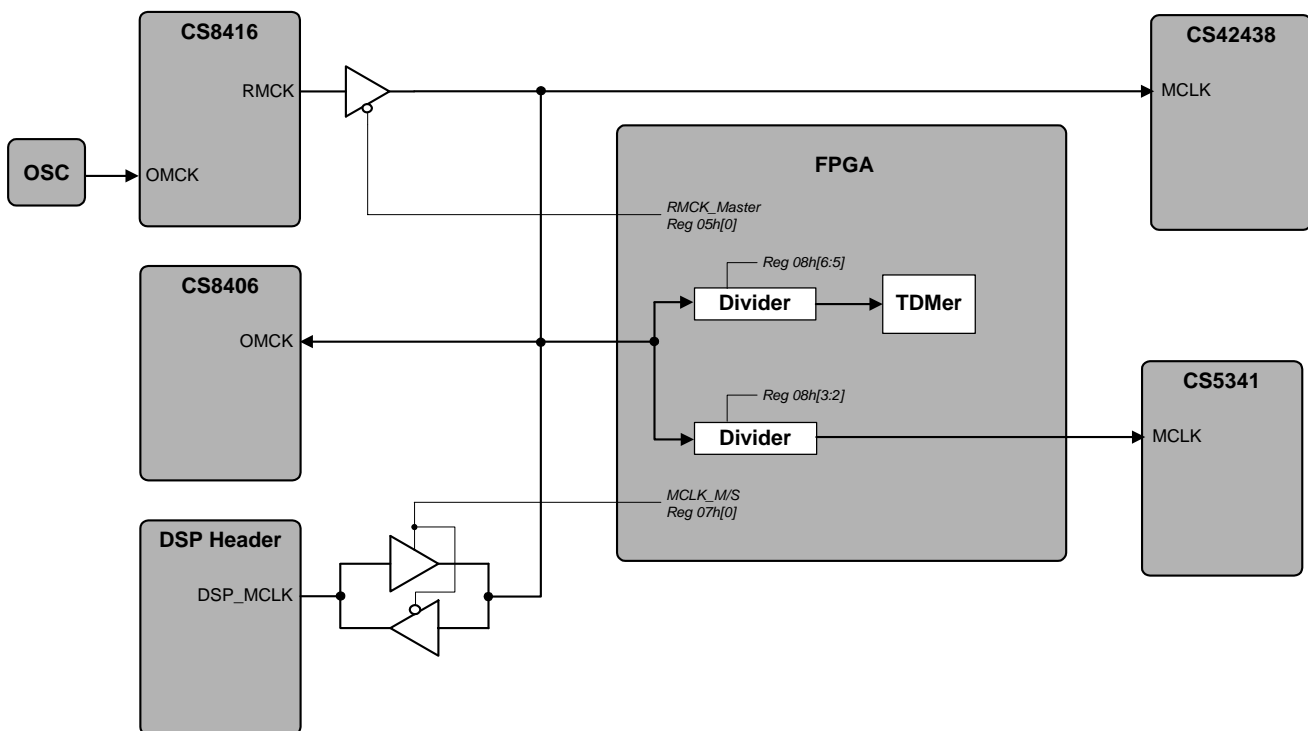


Figure 6. External MCLK Control

### 3.6 Bypass Control - Advanced

The DSP clocks and data may be routed through buffers directly to the CS42438, bypassing the FPGA. This configuration may be desired for more stringent timing requirements at higher clock speeds. See register “Bypass Control (address 06h)” on page 19. These bits are only accessible through the Advanced tab of the Cirrus Logic FlexGui software.

Setting “Bypass\_FPGA” to ‘0’b will route the DSP sub-clocks directly to the CODEC. “DSP-DATA->DAC” and “SDOUT->DSP” should also be set to ‘0’b in bypass mode.

NOTE: To avoid contention with the FPGA, set the clock direction for the FPGA appropriately: The FPGA->CODEC bits in register 03h must be set to ‘1’b.

**4. FPGA REGISTER QUICK REFERENCE**

	Function	7	6	5	4	3	2	1	0
01h	TDM Conversion p 16 default	DSP/CS8416 0	Reserved 0	Reserved 0	Reserved 0	Reserved 0	Reserved 0	Reserved 0	PDN_TDMer 0
02h	CODEC SDIN Control p 16 default	Reserved 1	Reserved 1	Reserved 1	Reserved 1	Reserved 1	Reserved 1	SDIN.MUX1 1	SDIN.MUX0 0
03h	CODEC Clock Control p 17 default	Reserved 0	Reserved 0	Reserved 1	Reserved 1	Reserved 0	CLK_MUX1 1	CLK_MUX0 1	FPGA->CODEC 0
04h	CS8406 Control p 17 default	Reserved 0	Reserved 1	MUX2 1	MUX1 0	MUX0 0	128/256 Fs 0	I <sup>2</sup> S/LJ 0	Reserved 1
05h	CS8416 Control p 18 default	Reserved 0	Reserved 0	Reserved 1	RST 1	M/S 1	128/256 Fs 0	I <sup>2</sup> S/LJ 0	RMCK_Master 0
06h	Bypass Control p 19 default	BypassFPGA 1	DSPDATA->DAC 1	Reserved 1	CS5341->AUX 0	Reserved 1	Reserved 1	Reserved 1	Reserved 1
07h	DSP Header Control p 20 default	Reserved 0	Reserved 0	DATA_MUX2 0	DATA_MUX1 0	DATA_MUX0 0	Reserved 0	Reserved 1	MCLK_M/S 0
08h	CS5341/Misc Control p 22 default	Reserved 0	Reserved 1	INT.MCLK_DIV 0	OMCK/DIV_1.5/2 0	'41_MCLK_DIV 0	'41_DIV_1.5/2 0	'41_I <sup>2</sup> S/LJ 0	'41_RST 1

## 5. FPGA REGISTER DESCRIPTION

All registers are read/write. See the following bit definition tables for bit assignment information. The default state of each bit after a power-up sequence or reset is listed in each bit description.

### 5.1 TDM CONVERSION (ADDRESS 01H)

7	6	5	4	3	2	1	0
DSP/CS8416	Reserved	Reserved	Reserved	Reserved	Reserved	Reserved	PDN_TDMer

#### 5.1.1 PCM2TDM CLOCK SELECTION (DSP/CS8416)

*Default = 0*

*0 - CS8416*

*1- DSP Header*

*Function:*

This bit selects the clock source for the PCM2TDM (P2T) converter. It also selects the data source for Slot 1-4 (see Figure 5 on page 12) of the TDMer.

#### 5.1.2 POWER DOWN TDM CONVERTER (PDN\_TDMER)

*Default = 0*

*0 - Disabled*

*1- Enabled*

*Function:*

This bit powers down the TDMer.

### 5.2 CODEC SDIN CONTROL (ADDRESS 02H)

7	6	5	4	3	2	1	0
Reserved	Reserved	Reserved	Reserved	Reserved	Reserved	SDIN.MUX1	SDIN.MUX0

#### 5.2.1 SDIN MUX(SDIN.MUX)

*Default = 10*

SDIN.MUX[1:0]	Data Selection
00	Reserved
01	DSP_DOUT
10	ADC_SDOUT
11	TDM Stream

**Table 1. Data to SDIN**

*Function:*

This MUX selects the data lines from the DSP Header, the ADC and the TDM Stream from the TDMer (see Figure 4 on page 11).



### 5.3 CODEC CLOCK CONTROL (ADDRESS 03H)

7	6	5	4	3	2	1	0
Reserved	Reserved	Reserved	Reserved	Reserved	CLK_MUX1	CLK_MUX0	FPGA->CODEC

#### 5.3.1 MUX (CLK\_MUX)

Default = 11

CLK_MUX[1:0]	Clock Selection
00	Reserved
01	Reserved
10	DSP
11	TDMer

Table 2. Clocks toCODEC

Function:

This MUX selects the sub-clock lines from the DSP Header and the sub-clocks from the TDMer internal to the FPGA (see Figure 3 on page 10).

#### 5.3.2 FPGA CLOCKS TO CODEC CLOCKS (FPGA->CODEC)

Default = 0

- 0 - FPGA Masters CODEC clock bus
- 1 - FPGA Slave to CODEC clock bus

Function:

This bit toggles a control line for the internal clock buffer to the CODEC serial port (see Figure 3 on page 10).

### 5.4 CS8406 CONTROL (ADDRESS 04H)

7	6	5	4	3	2	1	0
Reserved	Reserved	MUX2	MUX1	MUX0	128/256 Fs	I <sup>2</sup> S/L <sup>J</sup>	Reserved

#### 5.4.1 DATA MUX(MUX)

Default = 100

MUX[2:0]	Data Selection
000	Reserved
001	Reserved
010	Reserved
011	Reserved
100	ADC1 (from ADC_SDOUT)
101	ADC2 (from ADC_SDOUT)
110	ADC3 (from ADC_SDOUT)
111	EXT_ADC (from ADC_SDOUT)

Table 3. Data to CS8406

*Function:*

This MUX selects the data lines from the ADC's and the external ADC. The last 4 selections are demultiplexed from the TDM stream of SDOUT (see Figure 5 on page 12).

#### 5.4.2 OMCK/LRCK RATIO SELECT (OMCK 128/256 FS)

*Default = 0*

0 - 256 Fs

1 - 128 Fs

*Function:*

Selects the MCLK/LRCK ratio of the CS8406 transmitter.

#### 5.4.3 LEFT-JUSTIFIED OR I<sup>2</sup>S INTERFACE FORMAT (I<sup>2</sup>S/LJ)

*Default = 0*

0 - Left Justified

1 - I<sup>2</sup>S

*Function:*

Selects either I<sup>2</sup>S or Left Justified interface format for the CS8406.

### 5.5 CS8416 CONTROL (ADDRESS 05H)

7	6	5	4	3	2	1	0
Reserved	Reserved	Reserved	$\overline{\text{RST}}$	M/ $\overline{\text{S}}$	128/256 Fs	I <sup>2</sup> S/LJ	$\overline{\text{RMCK\_Master}}$

#### 5.5.1 RESET ( $\overline{\text{RST}}$ )

*Default = 1*

0 - CS8416 held in reset

1 - CS8416 taken out of reset

*Function:*

This bit is used to reset the CS8416 and is held low for 300  $\mu$ s upon FPGA initialization. It is also pulled low for 300  $\mu$ s whenever registers 05h[3:1] change.

#### 5.5.2 MASTER/SLAVE SELECT (M/ $\overline{\text{S}}$ )

*Default = 1*

0 - Slave

1 - Master

*Function:*

Selects master/slave mode for the CS8416 and configures the internal routing buffers. Pin 6 ( $\overline{\text{RST}}$  bit)

is held low for 300  $\mu$ s whenever this bit changes.

### 5.5.3 RMCK/LRCK RATIO SELECT ( $\overline{128/256}$ FS)

*Default = 0*  
 0 - 256 Fs  
 1 - 128 Fs

Function:

Selects the RMCK/LRCK ratio for the CS8416. Pin 6 ( $\overline{\text{RST}}$  bit) is held low for 300  $\mu$ s whenever this bit changes.

### 5.5.4 LEFT-JUSTIFIED OR I<sup>2</sup>S INTERFACE FORMAT ( $\overline{\text{I}^2\text{S/LJ}}$ )

*Default = 0*  
 0 - Left-Justified  
 1 - I<sup>2</sup>S

Function:

Selects either I<sup>2</sup>S or Left Justified interface format for the CS8416. Pin 6 ( $\overline{\text{RST}}$  bit) is held low for 300  $\mu$ s whenever this bit changes.

### 5.5.5 RMCK MASTERS MCLK BUS ( $\overline{\text{RMCK\_MASTER}}$ )

*Default = 0*  
 0 - Enabled  
 1 - Disabled

Function:

Enables/disables the external MCLK output buffer on the MCLK bus (see Figure 6 on page 13).

## 5.6 BYPASS CONTROL (ADDRESS 06H)

7	6	5	4	3	2	1	0
BypassFPGA	$\overline{\text{DSPDATA}}$ ->DAC	Reserved	$\overline{\text{CS5341}}$ ->AUX	Reserved	Reserved	Reserved	Reserved

NOTE: To avoid contention with the FPGA, set the clock direction for the FPGA appropriately:  $\overline{\text{FPGA}}$ ->CODEC in register 03h must be set to '1'b.

### 5.6.1 BYPASS FPGA ( $\overline{\text{BYPASSFPGA}}$ )

*Default = 1*  
 0 - Enable  
 1 - Disable

Function:

This bit toggles a control line for the external data buffer to route the DSP directly to the CODEC.

### 5.6.2 DSP DATA ROUTE TO DAC (DSPDATA->DAC)

Default = 1

0 - Enable

1 - Disable

Function:

This bit toggles a control line for the data buffer external to the FPGA to route the DSP Data directly to the DAC. The inverted signal controls active low buffers internal to the FPGA that routes the FPGA data to the DAC. Refer to Figure 4 on page 11.

### 5.6.3 ADC TO AUX SDIN (CS5341->AUX)

Default = 0

0 - Enable

1 - Disable

Function:

This bit toggles a control line for the external data buffer to route the external ADC Data directly to the AUX\_SDIN port. When disabled, the FPGA will route the CS8416 SDOOUT to the AUX\_SDIN port.

## 5.7 DSP HEADER CONTROL (ADDRESS 07H)

7	6	5	4	3	2	1	0
Reserved	Reserved	DATA_MUX2	DATA_MUX1	DATA_MUX0	Reserved	Reserved	MCLK_M/S

### 5.7.1 DATA MUX(DATA\_MUX[2:0])

Default = 000

DSP Data Selection	
MUX[2:0]	DSP SDIN
000	ADC_SDOOUT
001	ADC1 (from ADC_SDOOUT)
010	ADC2 (from ADC_SDOOUT)
011	ADC3 (from ADC_SDOOUT)
100	EXT_ADC (from ADC_SDOOUT)
101	ADC1 (from ADC_SDOOUT)
110	ADC2 (from ADC_SDOOUT)
111	ADC3 (from ADC_SDOOUT)

**Table 4. Data to DSP**

Function:

This MUX selects the data lines from the ADC's and the external ADC. The first selection shown in Table 4 comes directly from data output line. The last 7 are de-multiplexed from the TDM data stream (NOTE: in this latter scenario, the data will need to be re-timed from the TDMer's sub clocks). Refer to Figure 4 on page 11.

### 5.7.2 DSP MCLK (MCLK\_M $\bar{S}$ )

*Default = 0*

0 - DSP MCLK is a slave to the MCLK bus.

1 - DSP MCLK masters MCLK bus.

Function:

Enables/disables the external DSP MCLK output buffer on the MCLK bus.

**5.8 CS5341 AND MISCELLANEOUS CONTROL (ADDRESS 08H)**

7	6	5	4	3	2	1	0
Reserved	Reserved	INT.MCLK_ DIV	INT.DIV_ 1.5/2	'41_MCLK_ DIV	'41_DIV_ 1.5/2	'41_I <sup>2</sup> S/LJ	'41_RST

**5.8.1 INT MCLK DIVIDE (1.5/2.0 DIVIDE)**

*Default = 0*

0 - Disabled

1 - Enabled

Function:

Enables/disables the internal (1.5 or 2.0) divide circuitry for MCLK.

**5.8.2 1.5 OR 2.0 MCLK DIVIDE (1.5/2.0 DIVIDE)**

*Default = 0*

0 - Divide by 1.5

1 - Divide by 2.0

Function:

Divides the internal MCLK by 1.5 or 2 to all internal logic. This is intended to accommodate an external MCLK that is greater than 256 Fs. SCLK is derived from MCLK and must always be 256Fs in TDM Mode (see Figure 6 on page 13).

**5.8.3 EXT MCLK DIVIDE ('41\_MCLK\_DIV)**

*Default = 0*

0 - Disabled

1 - Enabled

Function:

Enables/disables the internal (1.5 or 2.0) divide circuitry for the CS5341 MCLK.

**5.8.4 1.5 OR 2.0 CS5341 MCLK DIVIDE ('41\_DIV\_1.5/2.0)**

*Default = 0*

0 - Divide by 1.5

1 - Divide by 2.0

Function:

Divides the MCLK from the MCLK bus to the CS5341 by 1.5 or 2 (see Figure 6 on page 13).

**5.8.5 LEFT-JUSTIFIED OR I<sup>2</sup>S INTERFACE FORMAT ('41\_I<sup>2</sup>S/LJ)**

*Default = 0*

0 - Left Justified

1 - I<sup>2</sup>S

Function:

Selects either I<sup>2</sup>S or Left Justified interface format for the CS5341. Reset to the CS5341 is toggled.

#### 5.8.6 RESET ('41\_RST)

*Default = 1*

0 - CS5341 is held in reset

1 - CS5341 is taken out of reset

Function:

This bit toggles pin 30 of the FPGA and is held low for 300  $\mu$ s upon FPGA initialization. It will also be held low for 300  $\mu$ s whenever register 08h[1] changes.

## 6. HARDWARE MODE

Switch S1 configures the CDB42438 in hardware mode. Switch S5 sets up the FPGA and controls the routing of all clocks and data. Refer to section 6.1 for a list of the various hardware mode options available. After setting any of these switches, the user may need to assert a reset by pressing the “RESET” button (S4) or the “PROGRAM” button (S2) .

### 6.1 Setup Options

The setup options below allow the user to configure the CDB42438 when the CS42438 is in hardware mode. The FPGA registers are programmed with the values shown in the table below.

	SW[3:0]	General Description	Register Address	Value	Detail Description
0	0000	<b>TDMer w/CS8416 Data (S/PDIF1)</b> 1) CS8416 Masters MCLK & PCM Subclocks 2) CS8416 data duplicated and Time-Division Multiplexed into DAC SDIN. 3) ADC1 (AIN1-2) de-multiplexed from SDOUT1 and input into CS8406.	01h	00h	<i>TDM Conversion - CS8416 clocks &amp; data to TDMer.</i>
			02h	03h	<i>SDIN Control - TDMer output data input to SDIN.</i>
			03h	36h	<i>CODEC Clock Control - CODEC slave to TDMer.</i>
			04h	61h	<i>CS8406 Control - ADC1 to CS8406.</i>
			05h	38h	<i>CS8416 Control - CS8416 masters MCLK bus and provides PCM subclocks to the TDMer.</i>
			06h	EFh	<i>Bypass Control - N/A.</i>
			07h	02h	<i>DSP Header - DSP Slave to MCLK.</i>
			08h	41h	<i>CS5341/Misc. Control - N/A.</i>
1	0001	<b>TDMer w/CS8416 Data (S/PDIF2)</b> 1) CS8416 Masters MCLK & PCM Subclocks 2) CS8416 data duplicated and Time-Division Multiplexed into DAC_SDIN. 3) ADC2 (AIN3-4) de-multiplexed from ADC_SDOOUT and input into CS8406.	01h	00h	<i>TDM Conversion - CS8416 clocks &amp; data to TDMer.</i>
			02h	03h	<i>SDIN Control - TDMer output data input to SDIN.</i>
			03h	36h	<i>CODEC Clock Control - CODEC slave to TDMer.</i>
			04h	69h	<i>CS8406 Control - ADC2 to CS8406.</i>
			05h	38h	<i>CS8416 Control - CS8416 masters MCLK bus and provides PCM subclocks to the TDMer.</i>
			06h	EFh	<i>Bypass Control - N/A.</i>
			07h	02h	<i>DSP Header - DSP Slave to MCLK.</i>
			08h	41h	<i>CS5341/Misc. Control - N/A.</i>
2	0010	<b>TDMer w/CS8416 Data (S/PDIF3)</b> 1) CS8416 Masters MCLK & PCM Subclocks 2) CS8416 data duplicated and Time-Division Multiplexed into DAC_SDIN. 3) ADC3 (AIN5-6) de-multiplexed from ADC_SDOOUT and input into CS8406.	01h	00h	<i>TDM Conversion - CS8416 clocks &amp; data to TDMer.</i>
			02h	03h	<i>SDIN Control - TDMer output data input to SDIN.</i>
			03h	36h	<i>CODEC Clock Control - CODEC slave to TDMer.</i>
			04h	71h	<i>CS8406 Control - ADC3 to CS8406.</i>
			05h	38h	<i>CS8416 Control - CS8416 masters MCLK bus and provides PCM subclocks to the TDMer.</i>
			06h	EFh	<i>Bypass Control - N/A.</i>
			07h	02h	<i>DSP Header - DSP Slave to MCLK.</i>
			08h	41h	<i>CS5341/Misc. Control - N/A.</i>



	SW[3:0]	General Description	Register Address	Value	Detail Description
3	0011	<b>TDMer w/CS8416 Data (S/PDIF4)</b> 1) CS8416 Masters MCLK & PCM Subclocks 2) CS8416 data duplicated and Time-Division Multiplexed into DAC_SDIN. 3) External ADC (AUX1-2) de-multiplexed from ADC_SDOOUT and input into CS8406.	01h	00h	<i>TDM Conversion</i> - CS8416 clocks & data to TDMer.
			02h	03h	<i>SDIN Control</i> - TDMer output data input to SDIN.
			03h	36h	<i>CODEC Clock Control</i> - CODEC slave to TDMer.
			04h	79h	<i>CS8406 Control</i> - AUX to CS8406.
			05h	38h	<i>CS8416 Control</i> - CS8416 masters MCLK bus and provides PCM subclocks to the TDMer.
			06h	EFh	<i>Bypass Control</i> - N/A.
			07h	02h	<i>DSP Header</i> - DSP Slave to MCLK.
			08h	41h	<i>CS5341/Misc. Control</i> - N/A.
4	0100	<i>Reserved</i>			
5	0101	<i>Reserved</i>			
6	0110	<i>Reserved</i>			
7	0111	<i>Reserved</i>			
8	1000	<i>Reserved</i>			
9	1001	<i>Reserved</i>			
10	1010	<b>DSP Routing</b> 1) DSP Masters MCLK & TDM Subclocks (through FPGA).	01h	01h	<i>TDM Conversion</i> - TDMer powered down.
			02h	01h	<i>SDIN Control</i> - DSP data input to DAC_SDIN.
			03h	24h	<i>CODEC Clock Control</i> - CODEC slave to DSP.
			04h	61h	<i>CS8406 Control</i> - N/A.
			05h	29h	<i>CS8416 Control</i> - N/A.
			06h	EFh	<i>Bypass Control</i> - N/A.
			07h	07h	<i>DSP Header Control</i> - DSP Masters MCLK.
			08h	41h	<i>CS5341 Control</i> - N/A.
11	1011	<b>FPGA Bypass w/DSP MCLK</b> 1) DSP Masters MCLK & TDM Subclocks (bypassing FPGA).	01h	F0h	<i>TDM Conversion</i> - N/A.
			02h	00h	<i>SDIN Control</i> - N/A.
			03h	09h	<i>CODEC Clock Control</i> - N/A.
			04h	01h	<i>CS8406 Control</i> - N/A.
			05h	29h	<i>CS8416 Control</i> - N/A.
			06h	0Ch	<i>Bypass Control</i> - DSP to CODEC.
			07h	07h	<i>Misc. Control</i> - DSP Master.
			08h	41h	<i>CS5341 Control</i> - Left-justified data from CS5341. Maximum MCLK = 25 MHz.
12	1100	<i>Reserved</i>			
13	1101	<i>Reserved</i>			
14	1110	<i>Reserved</i>			

	SW[3:0]	General Description	Register Address	Value	Detail Description
15	1111	<b>TDMer w/Digital Loopback</b> 1) Oscillator Y1 Masters MCLK passed through CS8416. [REMOVE S/PDIF INPUT] 2) ADC SDOOUT into DAC SDIN.	01h	00h	<i>TDM Conversion</i> - CS8416 clocks & data to TDMer.
			02h	FEh	<i>SDIN Control</i> - ADC_SDOOUT input to DAC_SDIN.
			03h	36h	<i>CODEC Clock Control</i> - CODEC slave to TDMer.
			04h	61h	<i>CS8406 Control</i> - N/A
			05h	38h	<i>CS8416 Control</i> - Oscillator Y1 masters MCLK passed through CS8416 to MCLK bus and CS8416 provides PCM subclocks to the TDMer. [S/PDIF input must be removed]
			06h	EFh	<i>Bypass Control</i> - N/A.
			07h	08h	<i>Misc. Control</i> - DSP Slave to MCLK.
			08h	41h	<i>CS5341 Control</i> - Left-justified data from CS5341. Maximum MCLK = 25 MHz.

**7. CDB CONNECTORS AND JUMPERS**

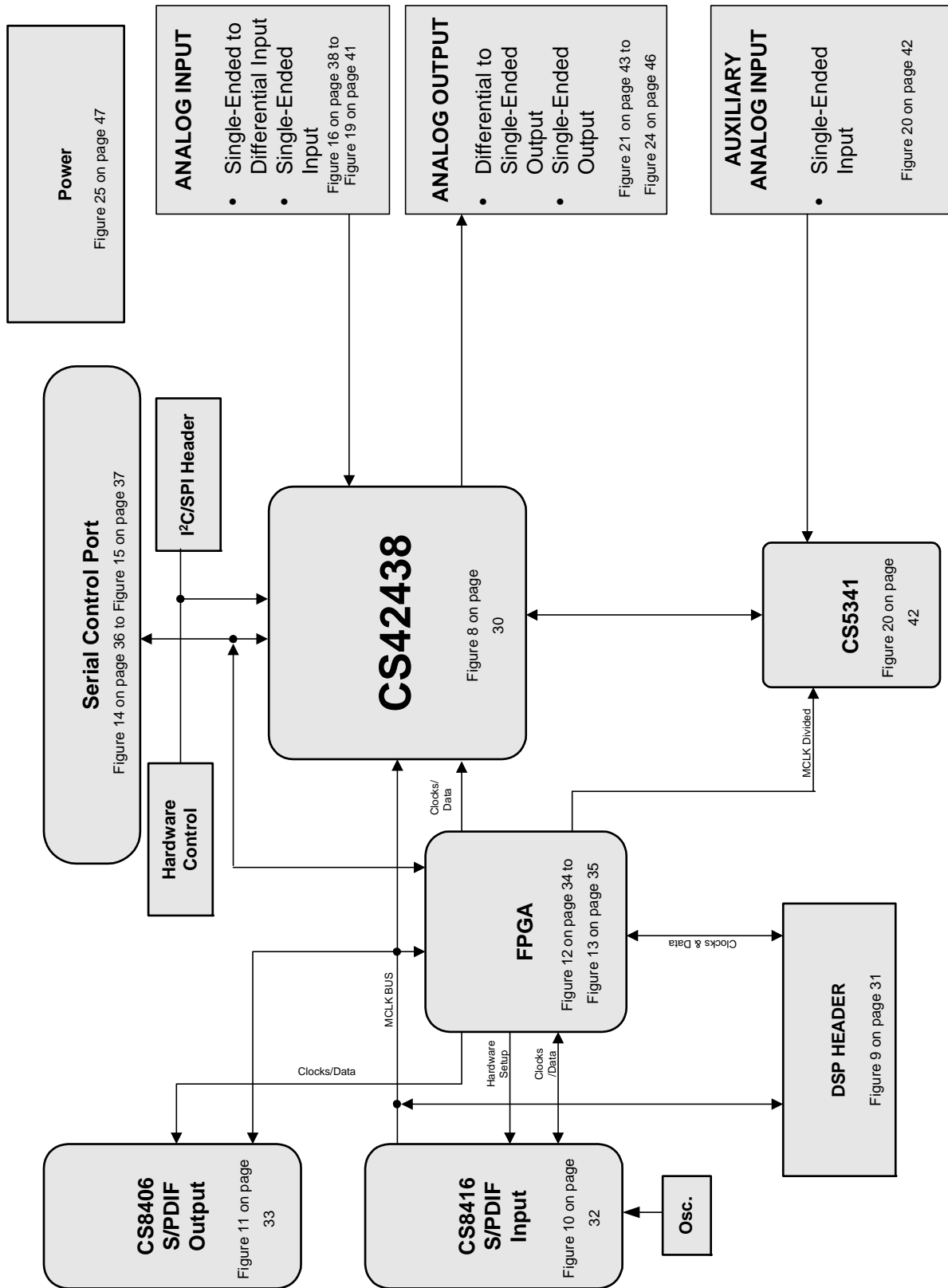
CONNECTOR	Reference Designator	INPUT/OUTPUT	SIGNAL PRESENT
+5V	J2	Input	+5.0 V Power Supply
+12V	J5	Input	+12.0 V Power Supply
-12V	J4	Input	-12.0 V Power Supply
GND	J3	Input	Ground Reference
SPDIF OPTICAL OUT	J14	Output	CS8406 digital audio output via optical cable
SPDIF COAX OUT	J18	Output	CS8406 digital audio output via coaxial cable
SPDIF OPTICAL IN	J21	Input	CS8416 digital audio input via optical cable
SPDIF COAX IN	J25	Input	CS8416 digital audio input via coaxial cable
RS232	J7	Input/Output	Serial connection to PC for SPI / I <sup>2</sup> C control port signals
USB	J12	Input/Output	USB connection to PC for SPI / I <sup>2</sup> C control port signals. <b>Not Available.</b>
DSP Header	J24	Input/Output	I/O for Clocks & Data
CONTROL	J11	Input/Output	I/O for external SPI / I <sup>2</sup> C control port signals.
USB JTAG	J8	Input/Output	I/O for programming the micro controller (U9).
FPGA JTAG	J10	Input/Output	I/O for programming the FPGA (U16).
USB RESET	S1	Input	Reset for the micro controller (U9).
FPGA RESET	S2	Input	Reset for the FPGA (U16).
AIN1 AIN2 AIN3 AIN4 AIN5-/5B AIN5+/5A AIN6-/6B AIN6+/6A	J37 J27 J23 J17 J15 J13 J9 J6	Input	RCA phono jacks for analog input signal to CS42438.
AIN7 AIN8	J28 J38	Input	RCA phono jacks for analog input signal to CS5341.
AOUT1 AOUT2 AOUT3 AOUT4 AOUT5 AOUT6 AOUT7 AOUT8	J47 J48 J49 J50 J51 J52 J53 J54	Output	RCA phono jacks for analog outputs.

**Table 5. System Connections**

<b>JUMPER</b>	<b>PURPOSE</b>	<b>POSITION</b>	<b>FUNCTION SELECTED</b>
J1	Selects source of voltage for the VA supply	+3.3V *+5V	Voltage source is +3.3 V regulator Voltage source is +5 V regulator
AIN1- (J26)	Selects the negative leg of the single-ended to differential input circuit in differential mode, or a VA/2 bias in single-ended mode.	*DIFF IN SINGLE IN	Inverted signal from AIN1 input VA/2 voltage bias
AIN2- (J22)	Selects the negative leg of the single-ended to differential input circuit in differential mode, or a VA/2 bias in single-ended mode.	*DIFF IN SINGLE IN	Inverted signal from AIN2 input VA/2 voltage bias
AIN3- (J19)	Selects the negative leg of the single-ended to differential input circuit in differential mode, or a VA/2 bias in single-ended mode.	*DIFF IN SINGLE IN	Inverted signal from AIN3 input VA/2 voltage bias
AIN4- (J16)	Selects the negative leg of the single-ended to differential input circuit in differential mode, or a VA/2 bias in single-ended mode.	*DIFF IN SINGLE IN	Inverted signal from AIN4 input VA/2 voltage bias
J29-J36 J39-J46	Selects between an active or a passive analog output filter for AOUT1-8.	*A P	2-Pole Active Filter Single-Pole Passive Filter

\*Default factory settings

**Table 6. Jumper Settings**

**8. CDB BLOCK DIAGRAM**

**Figure 7. Block Diagram**

### 9. CDB SCHEMATICS

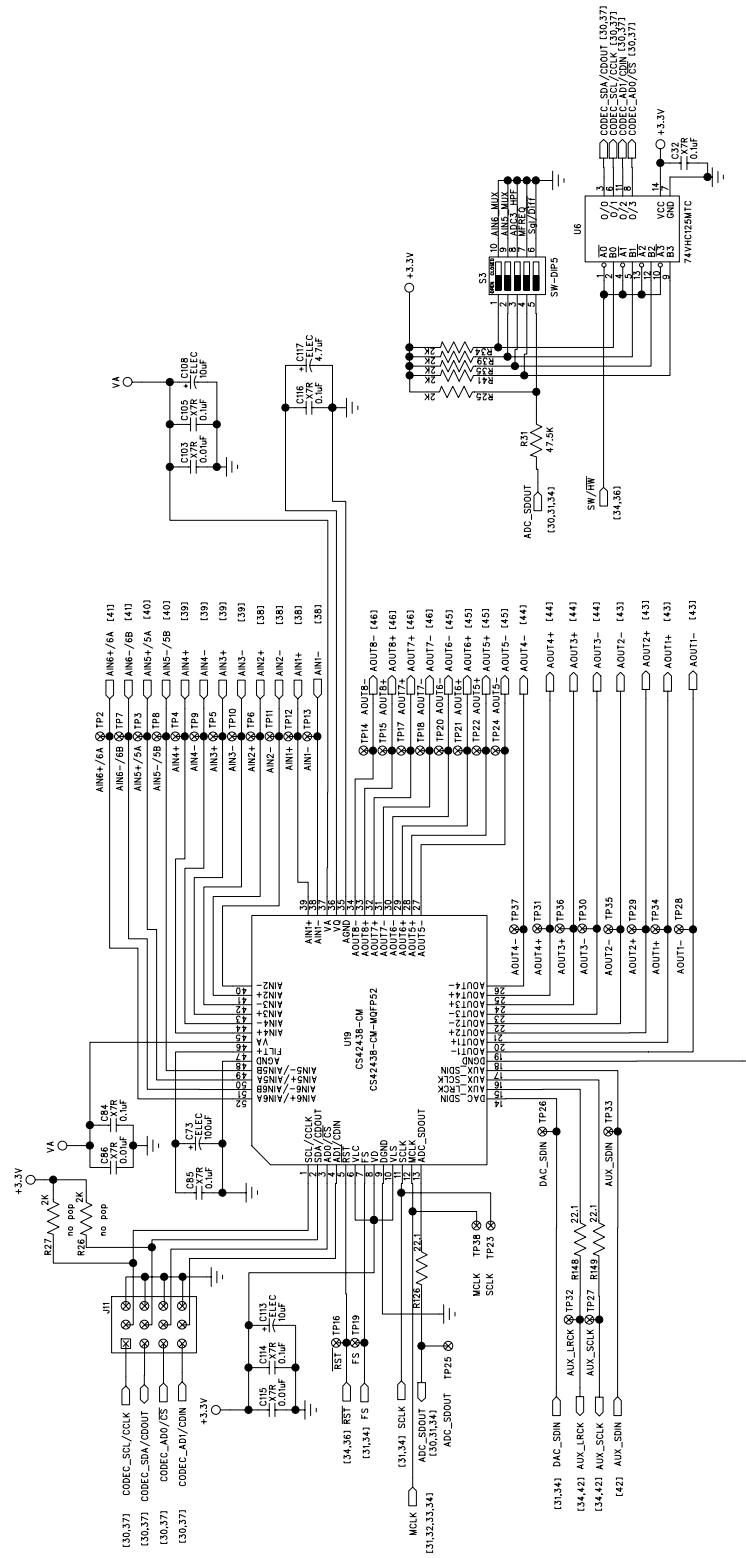
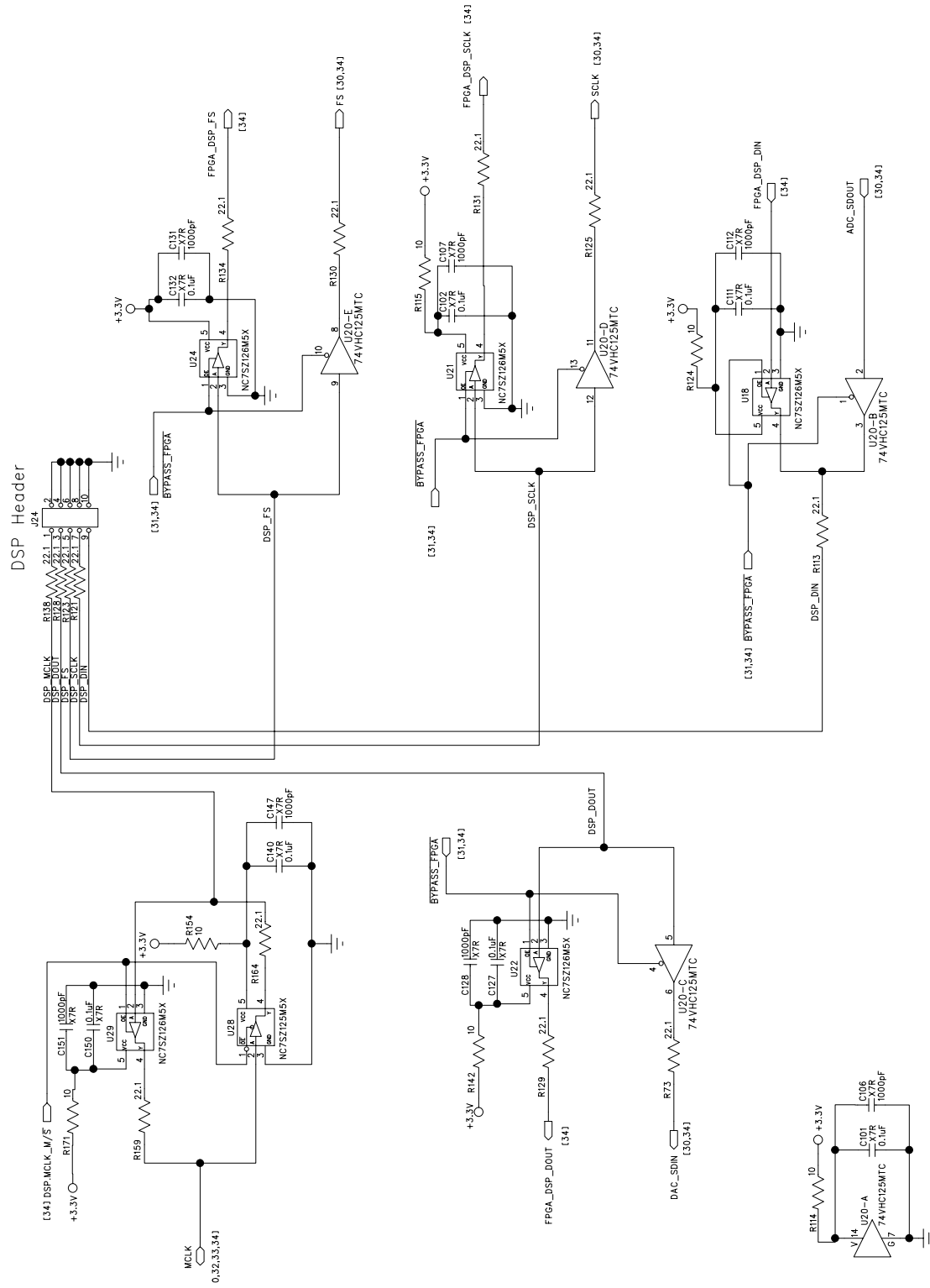
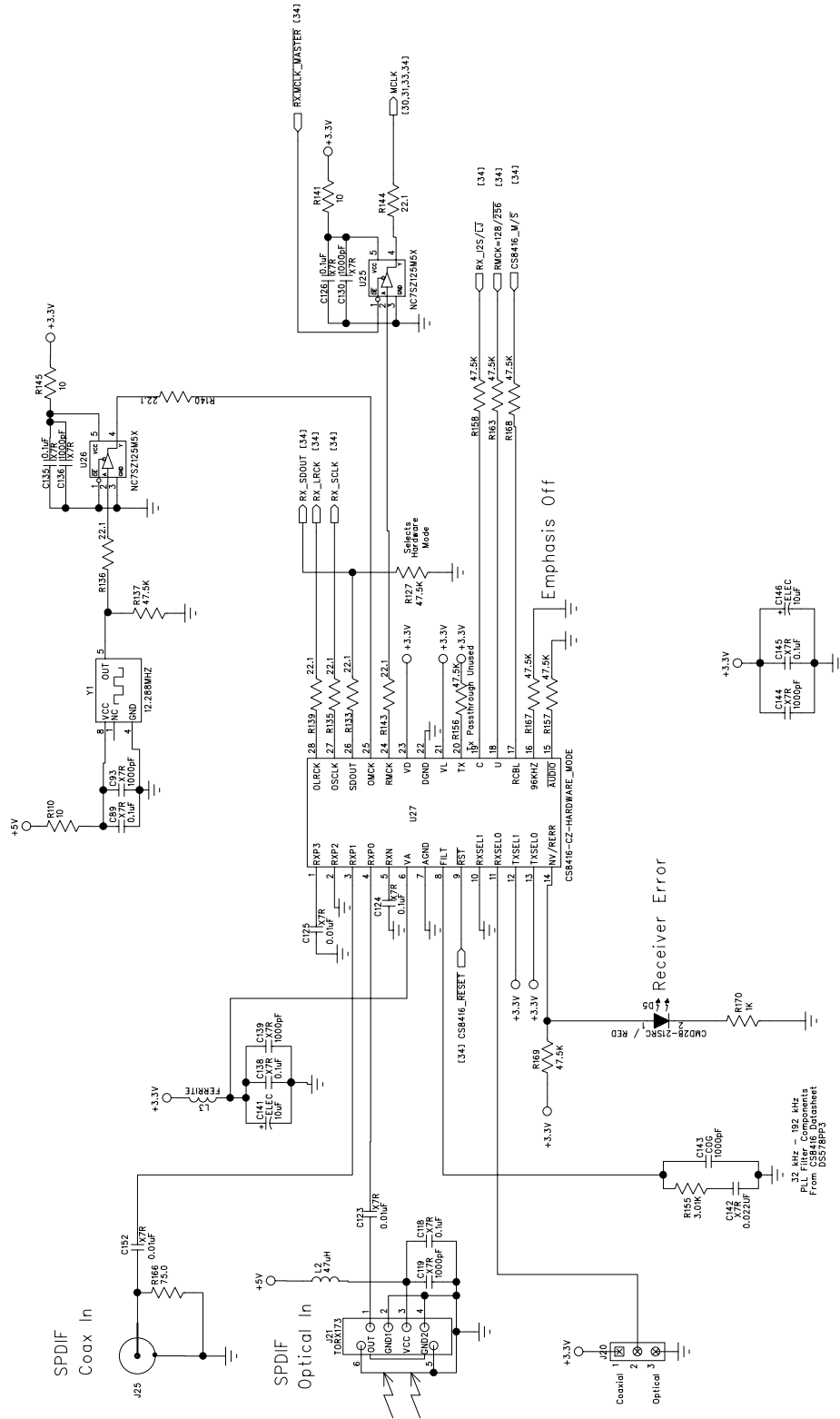
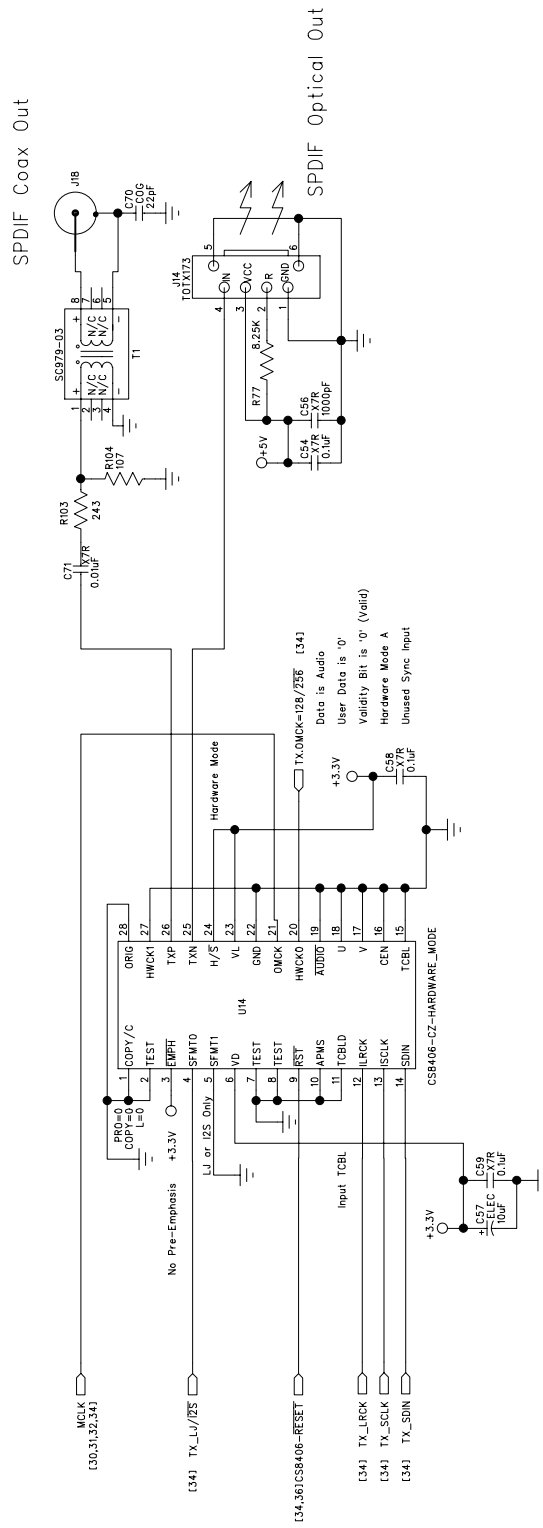


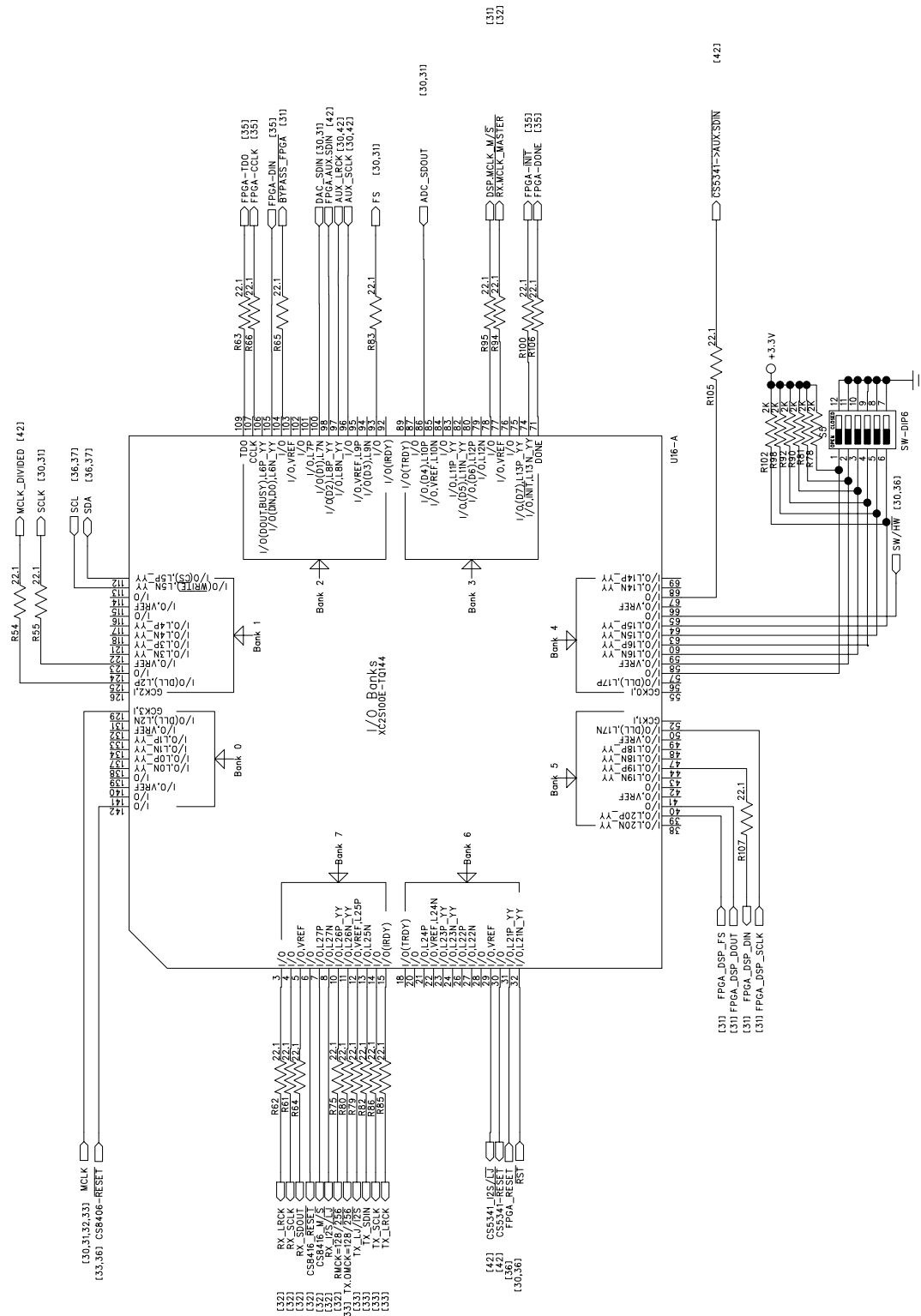
Figure 8. CS42438


**Figure 9. DSP Header**


**Figure 10. S/PDIF Input**




**Figure 11. S/PDIF Output**


**Figure 12. FPGA**

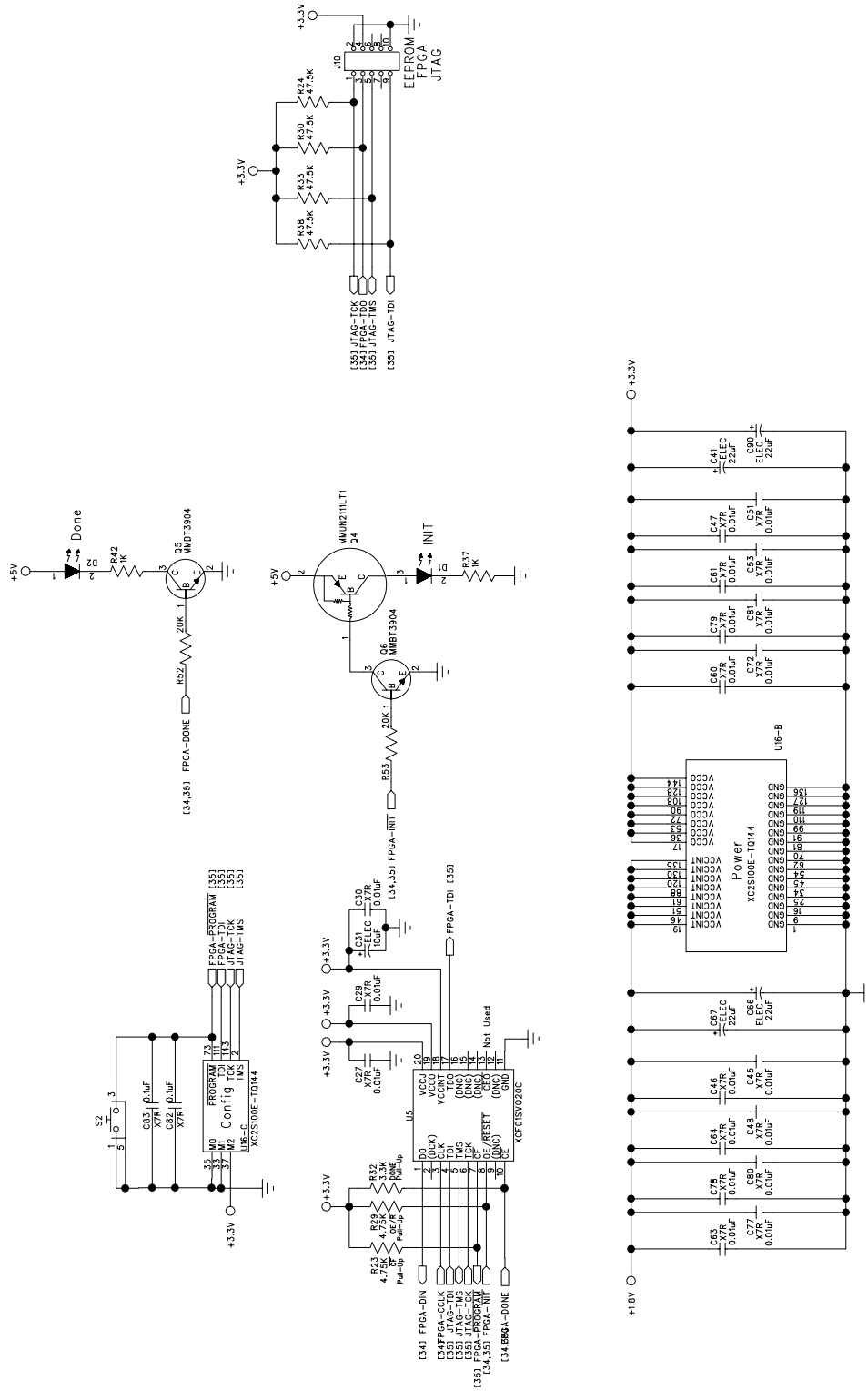


Figure 13. FPGA Connections

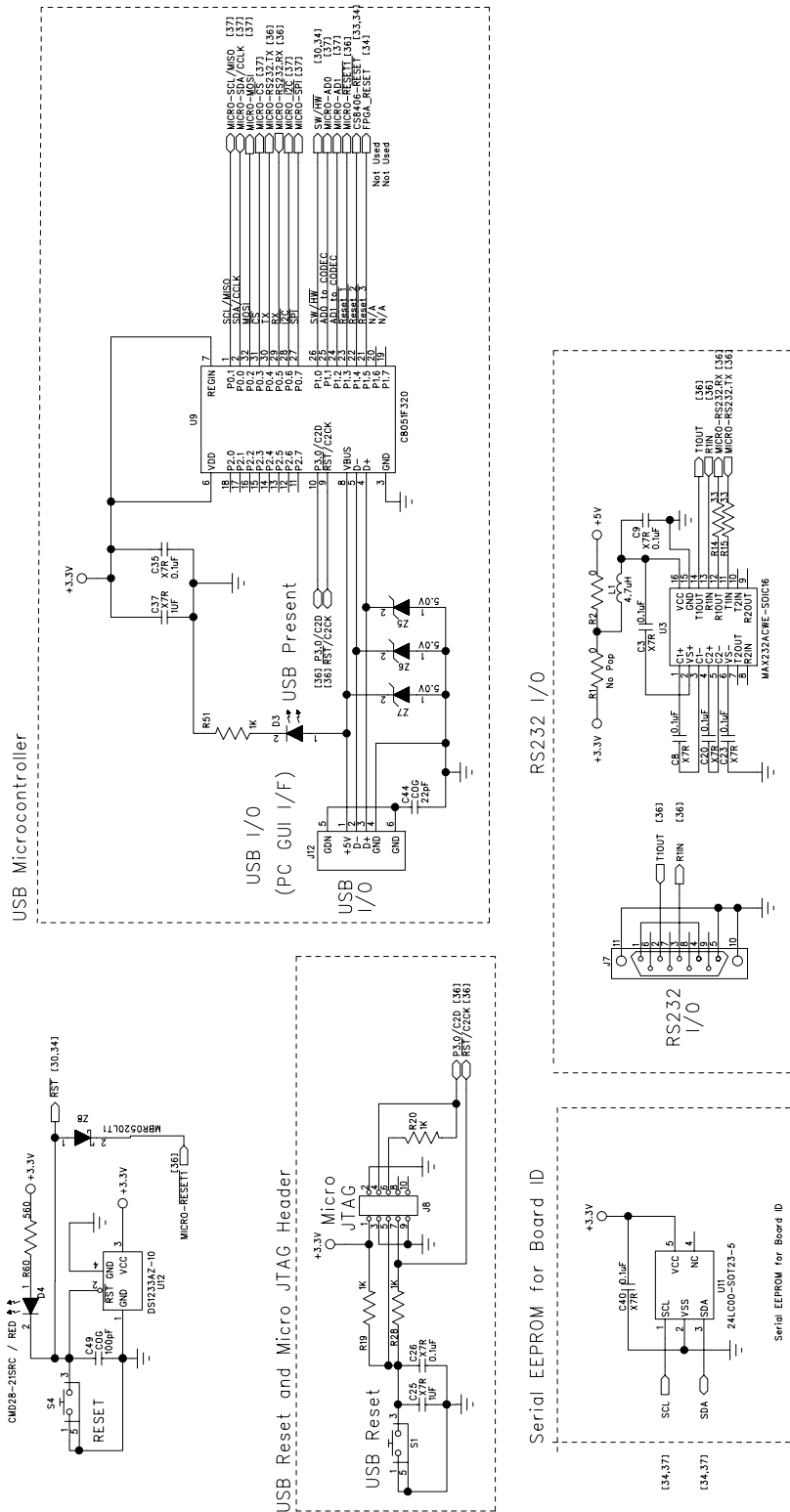


Figure 14. Control Port

SPI/I2C Level Shifting & Mux

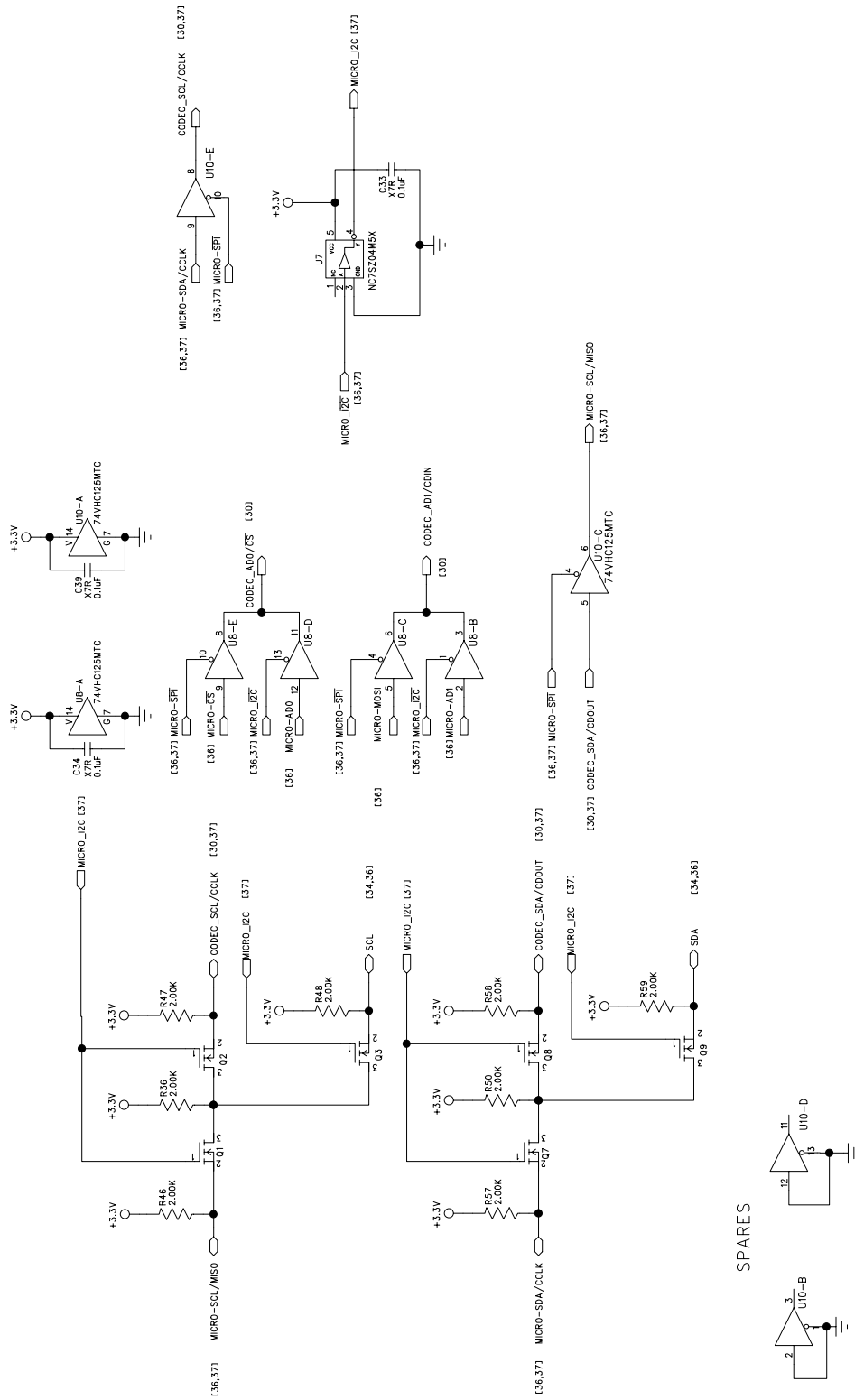
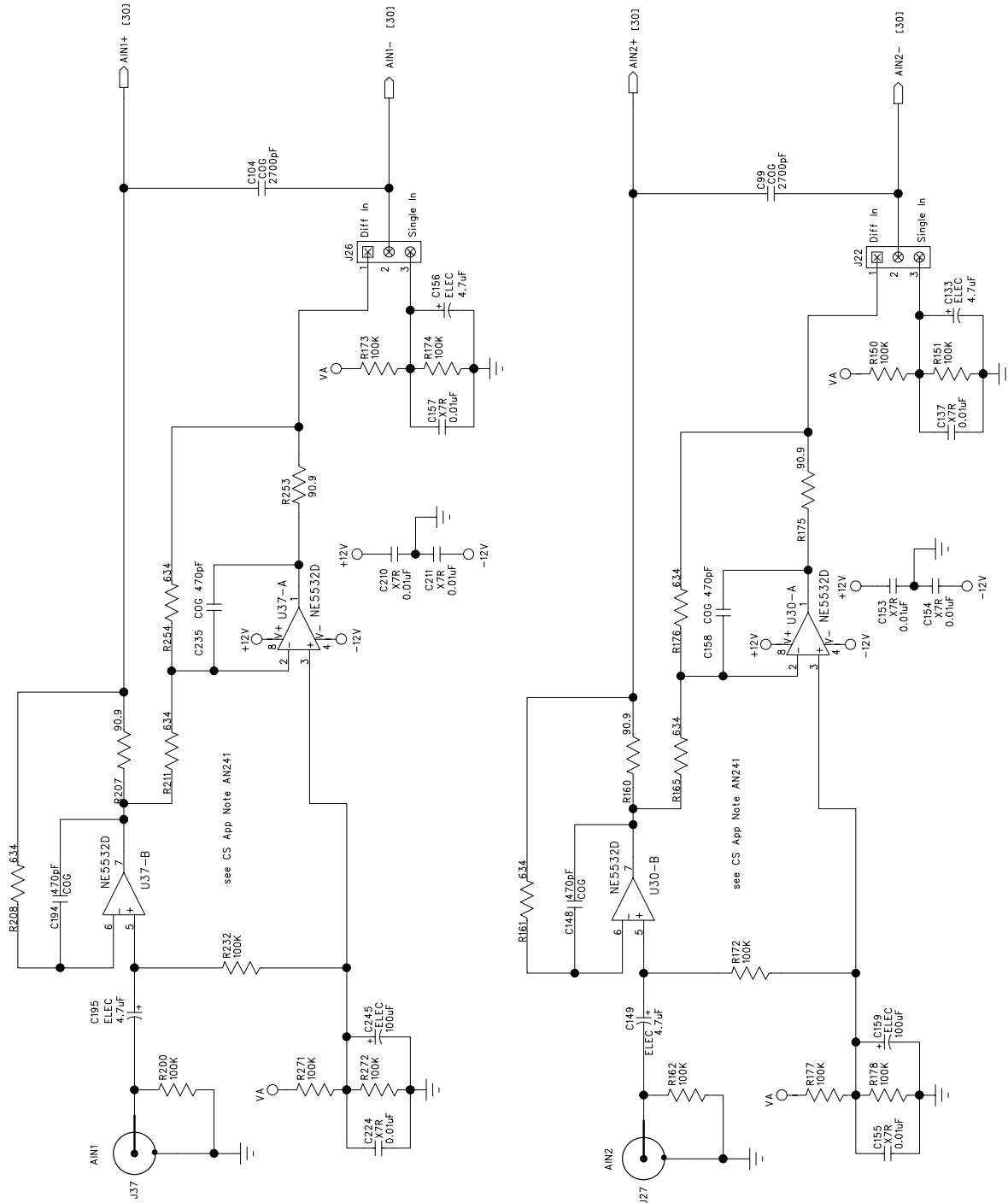
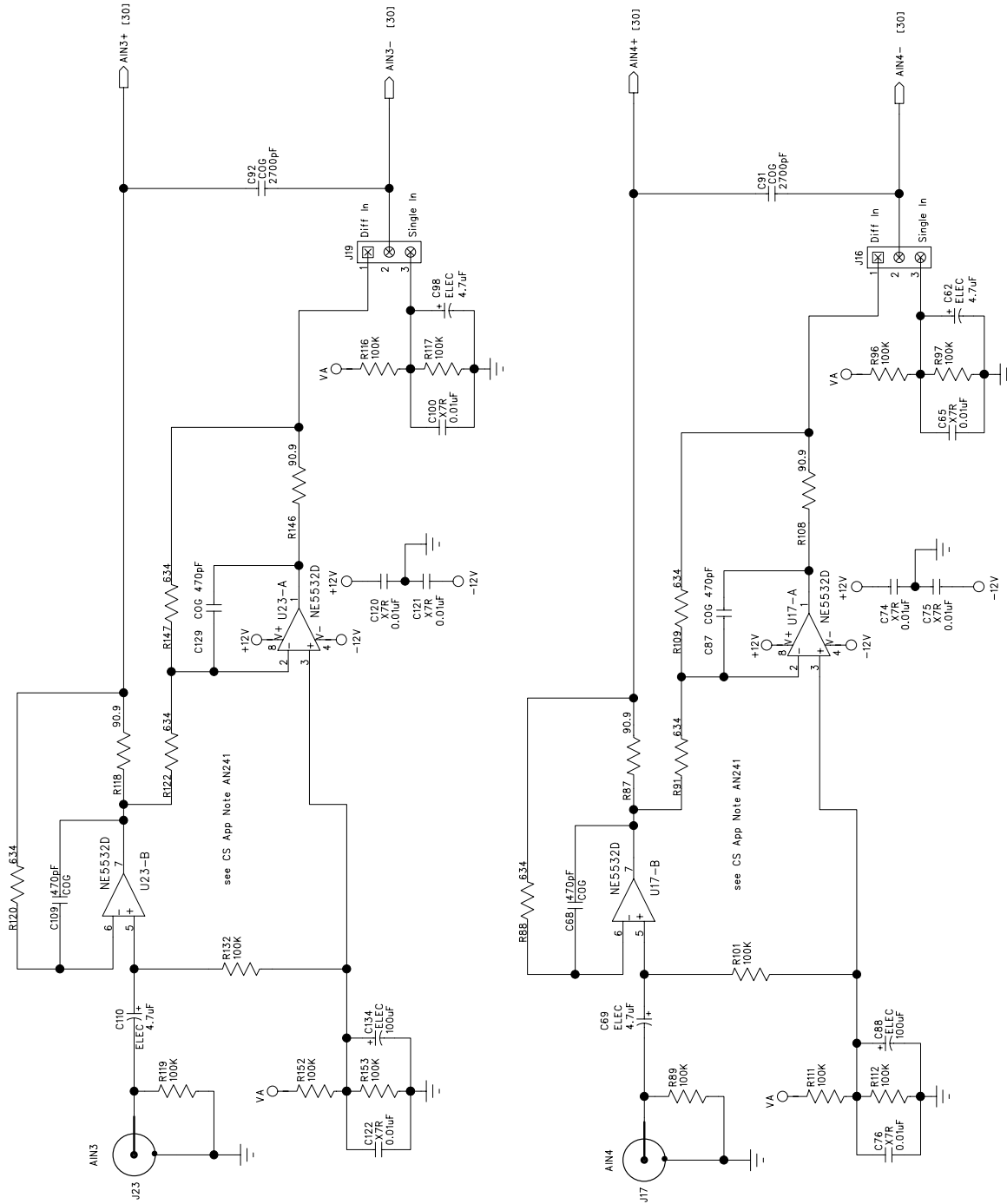
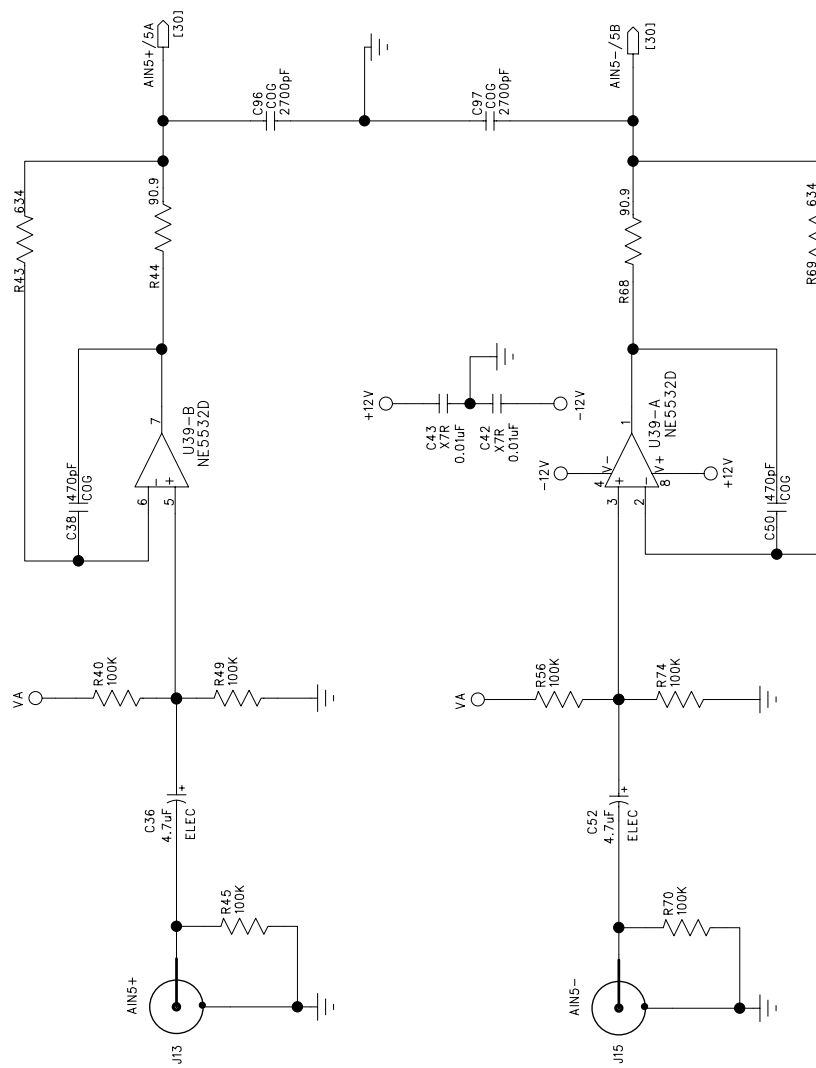


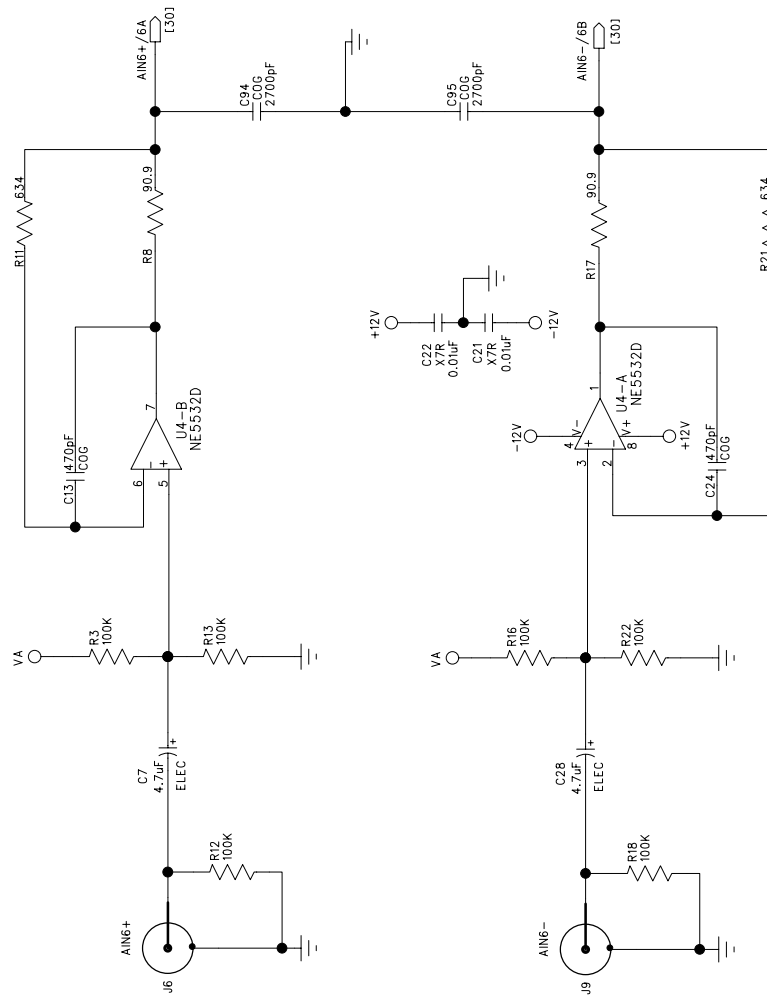
Figure 15. Control Port Connections

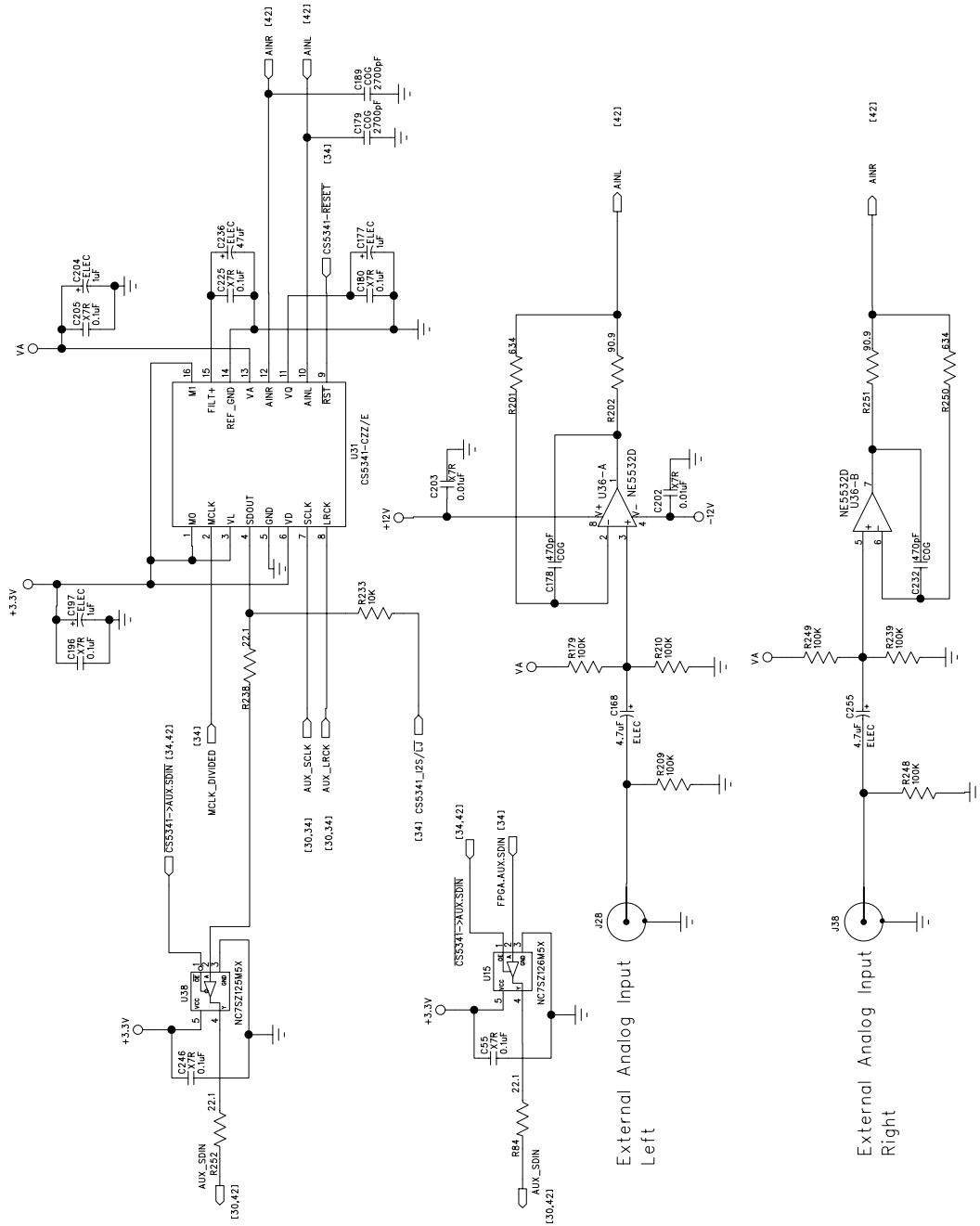

**Figure 16. Analog Input 1-2**

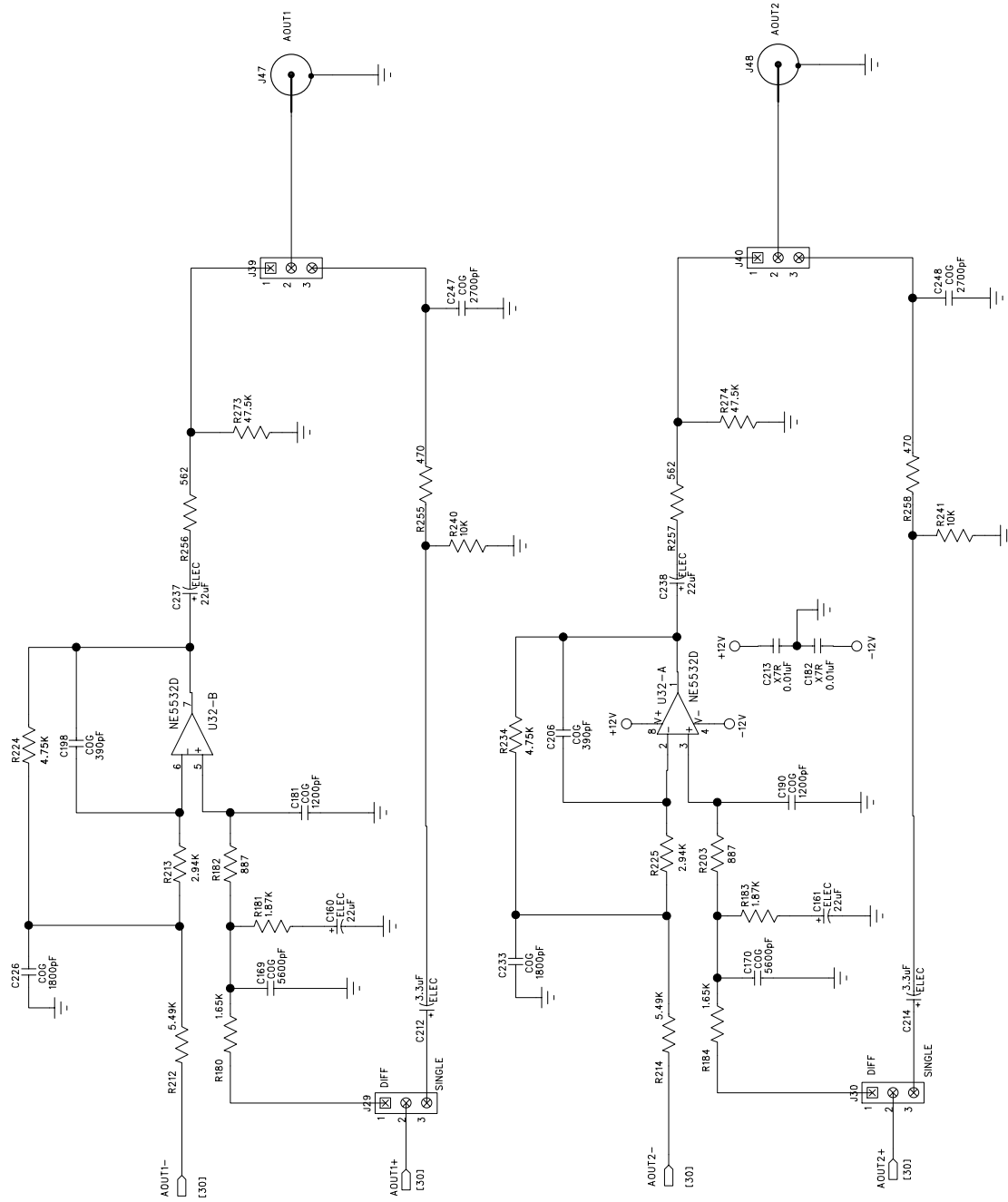

**Figure 17. Analog Input 3-4**

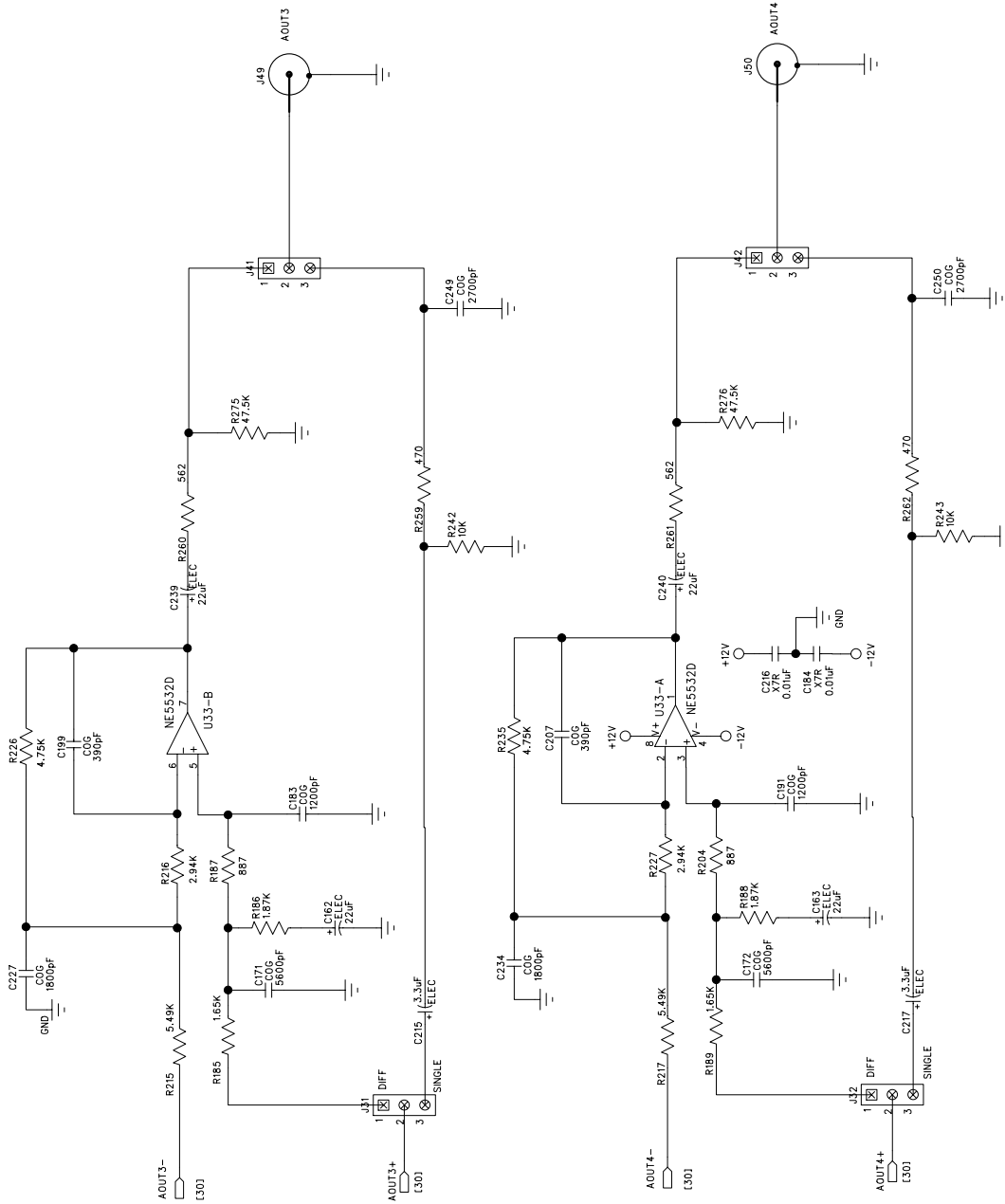

**Figure 18. Analog Input 5**

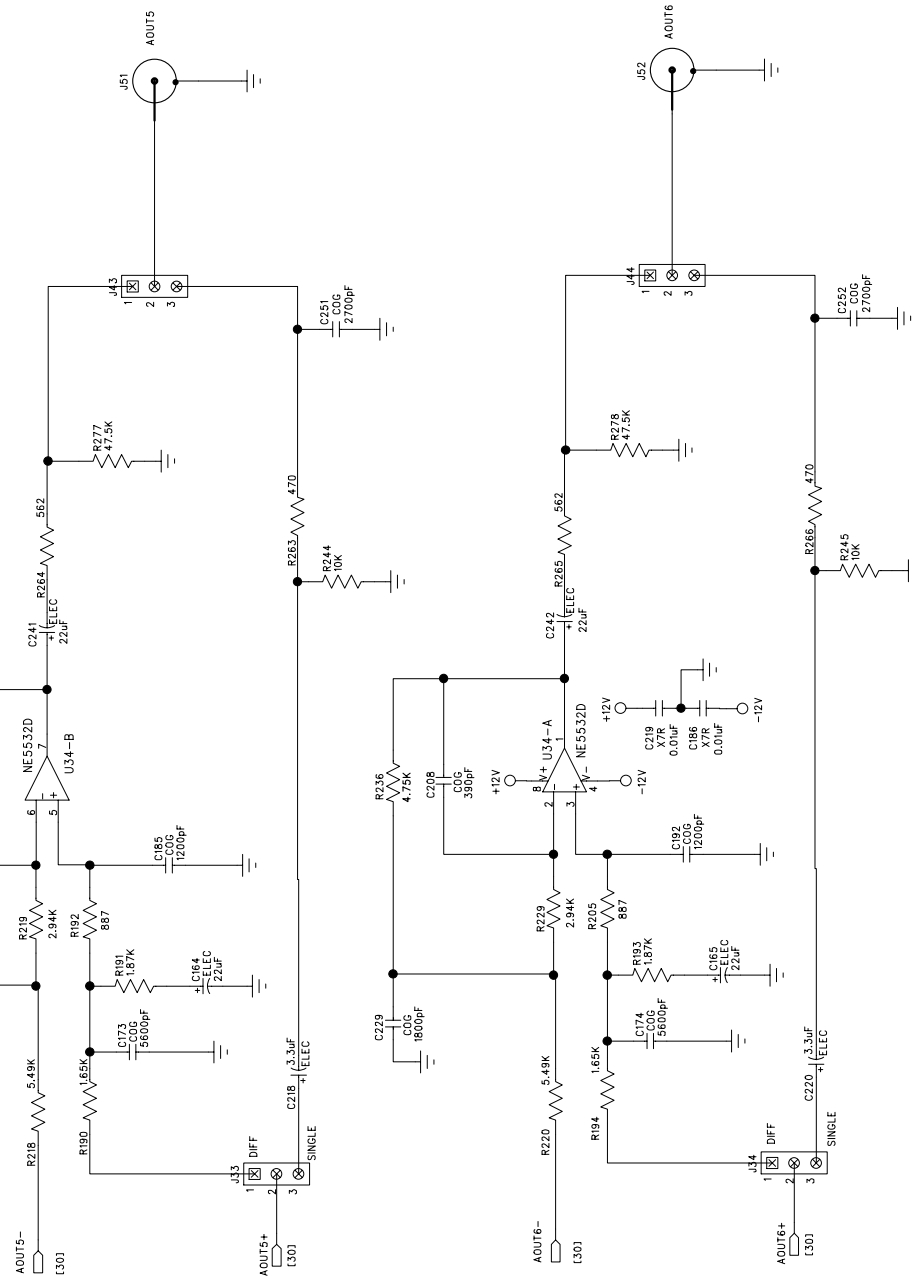


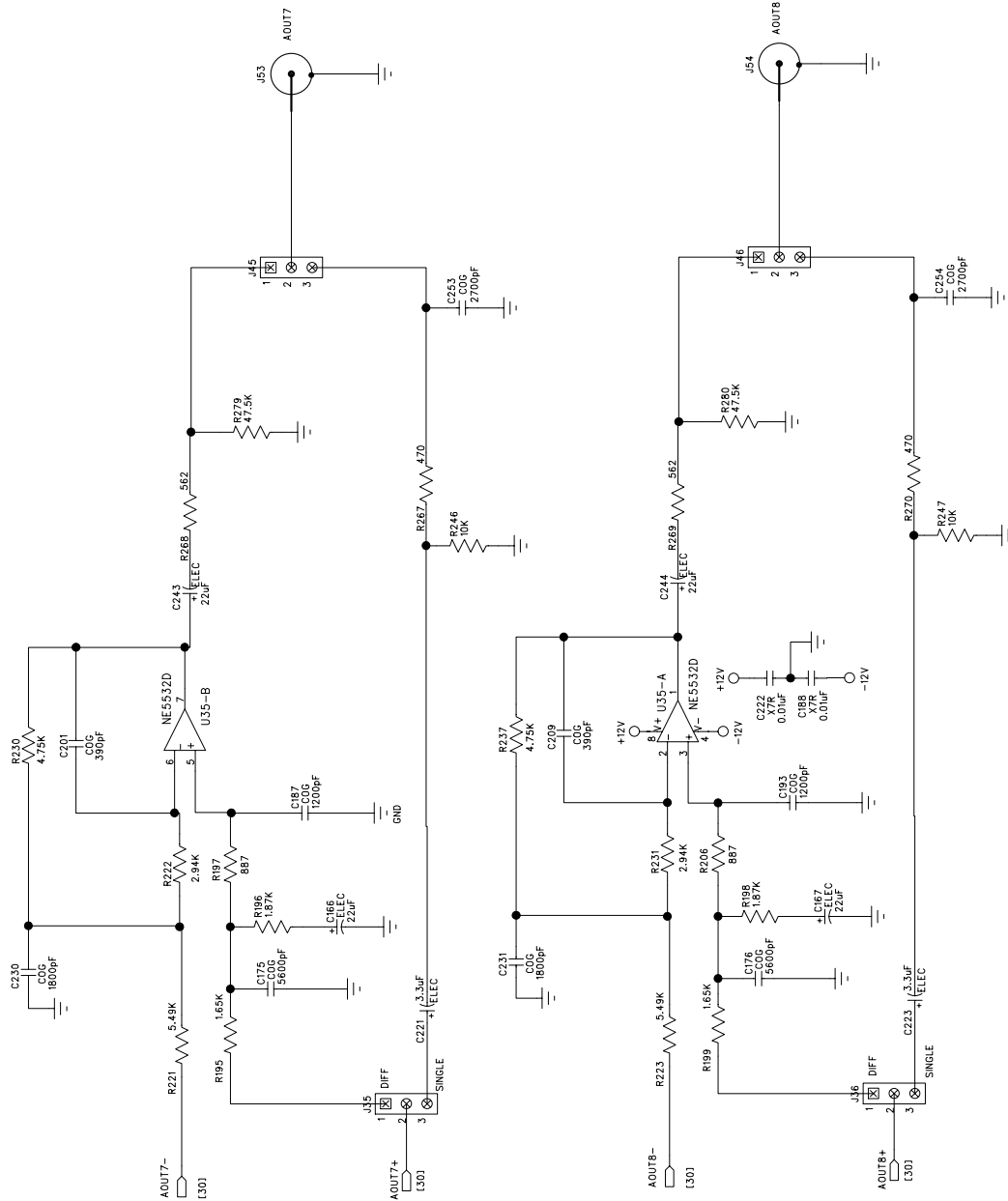

**Figure 19. Analog Input 6**

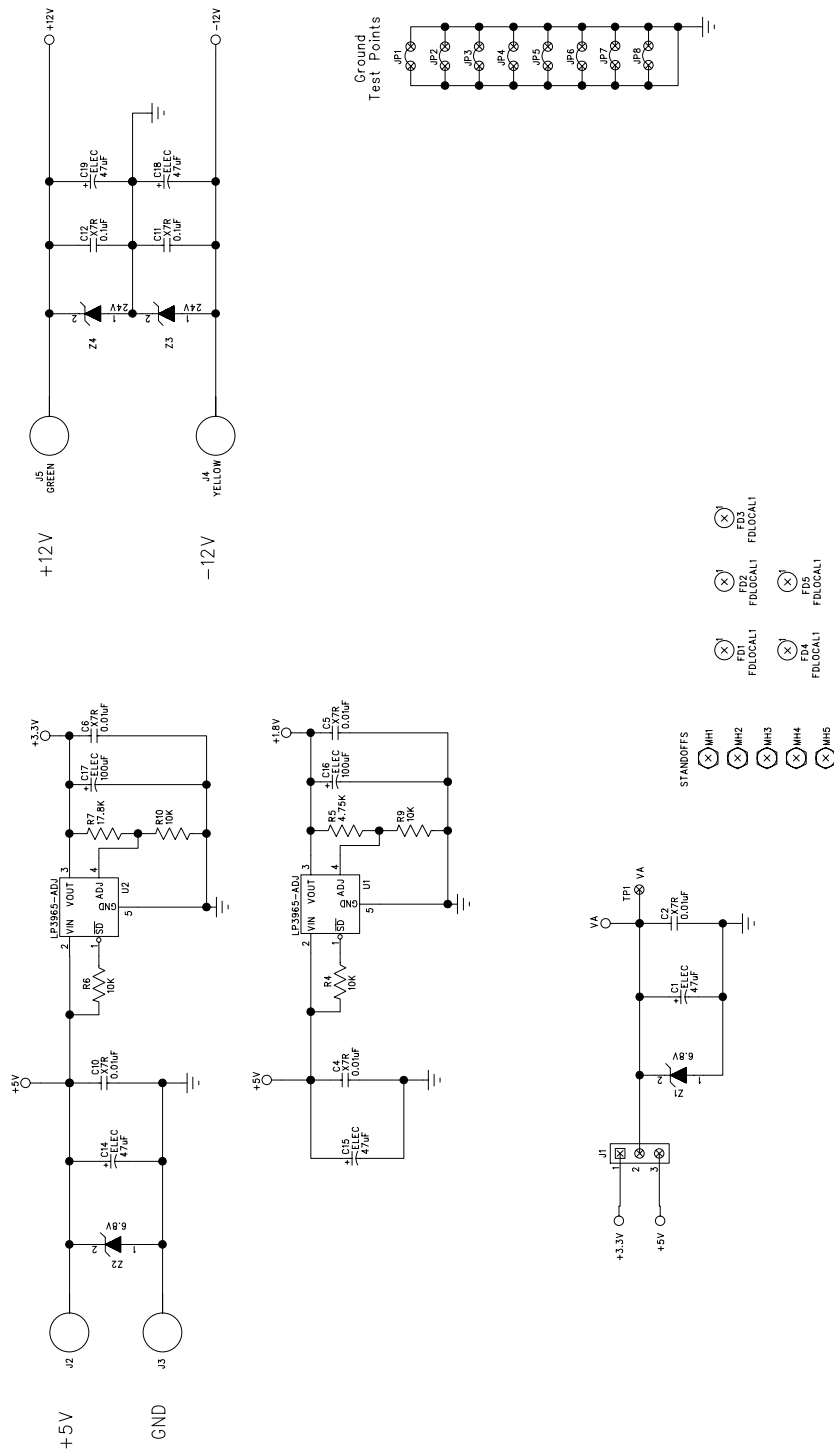

**Figure 20. Analog Input 7-8**

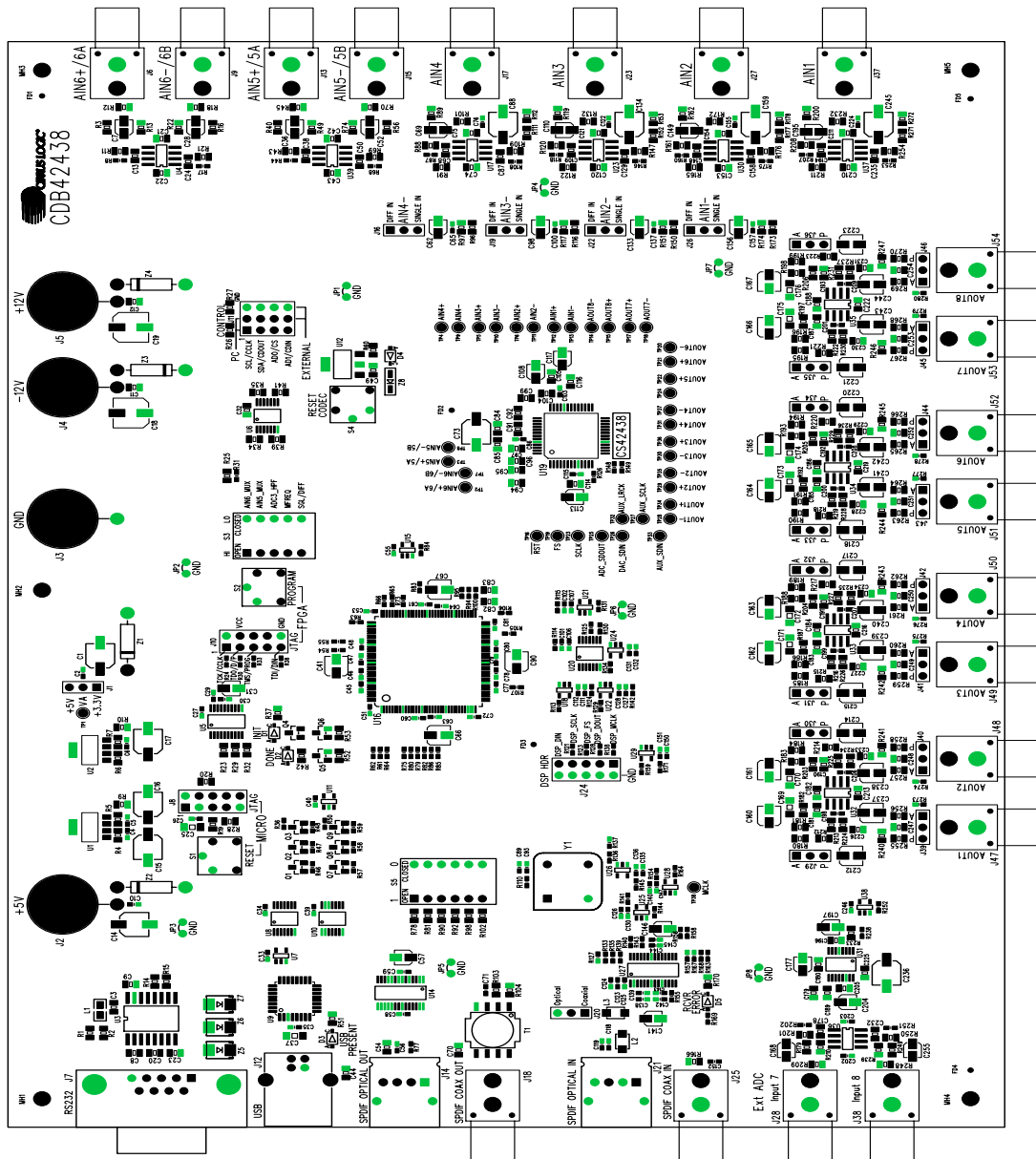

**Figure 21. Analog Output 1-2**


**Figure 22. Analog Output 3-4**


**Figure 23. Analog Output 5-6**


**Figure 24. Analog Output 7-8**


**Figure 25. Power**

**10. CDB LAYOUT**

**Figure 26. Silk Screen**



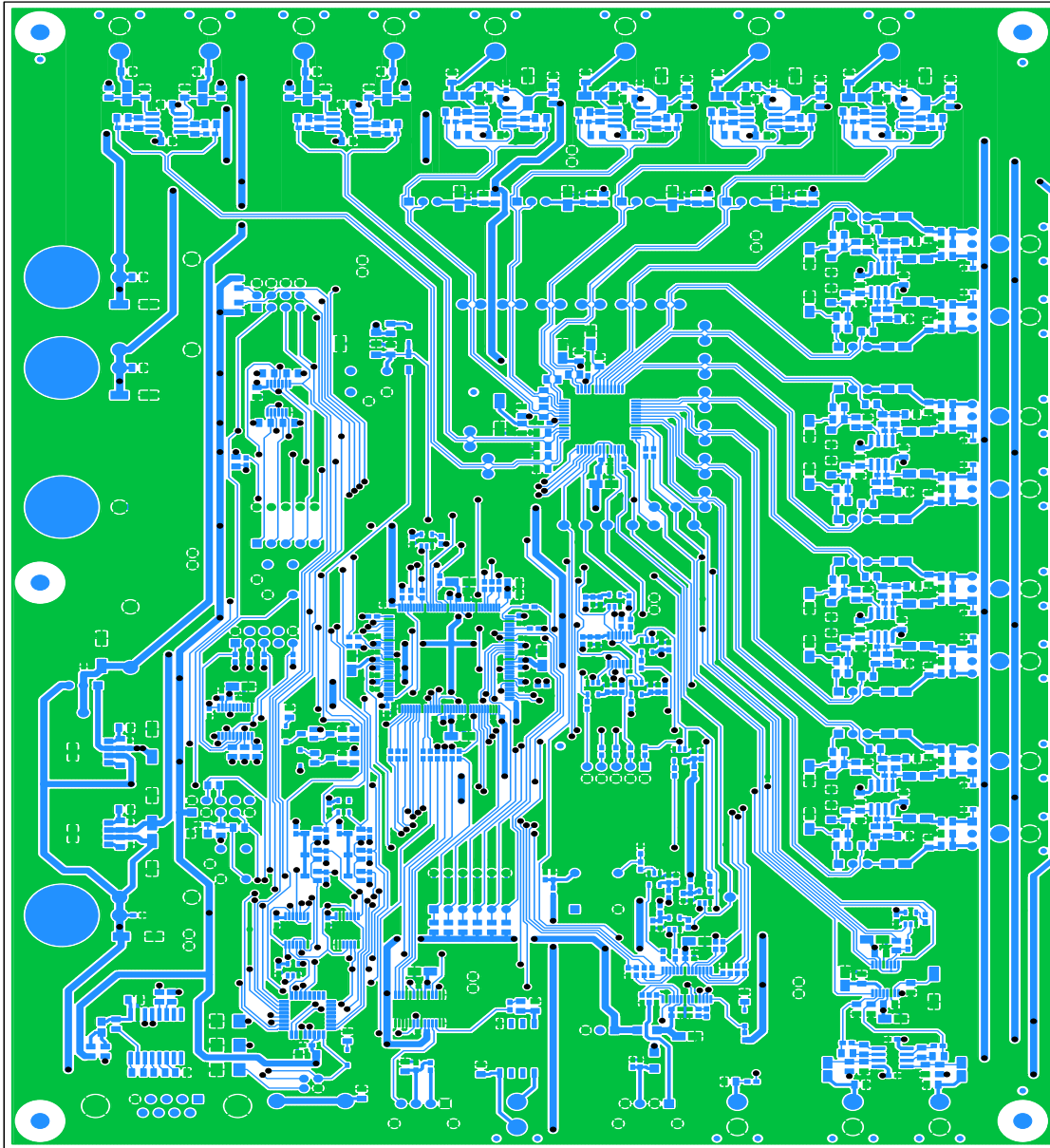


Figure 27. Top side Layer

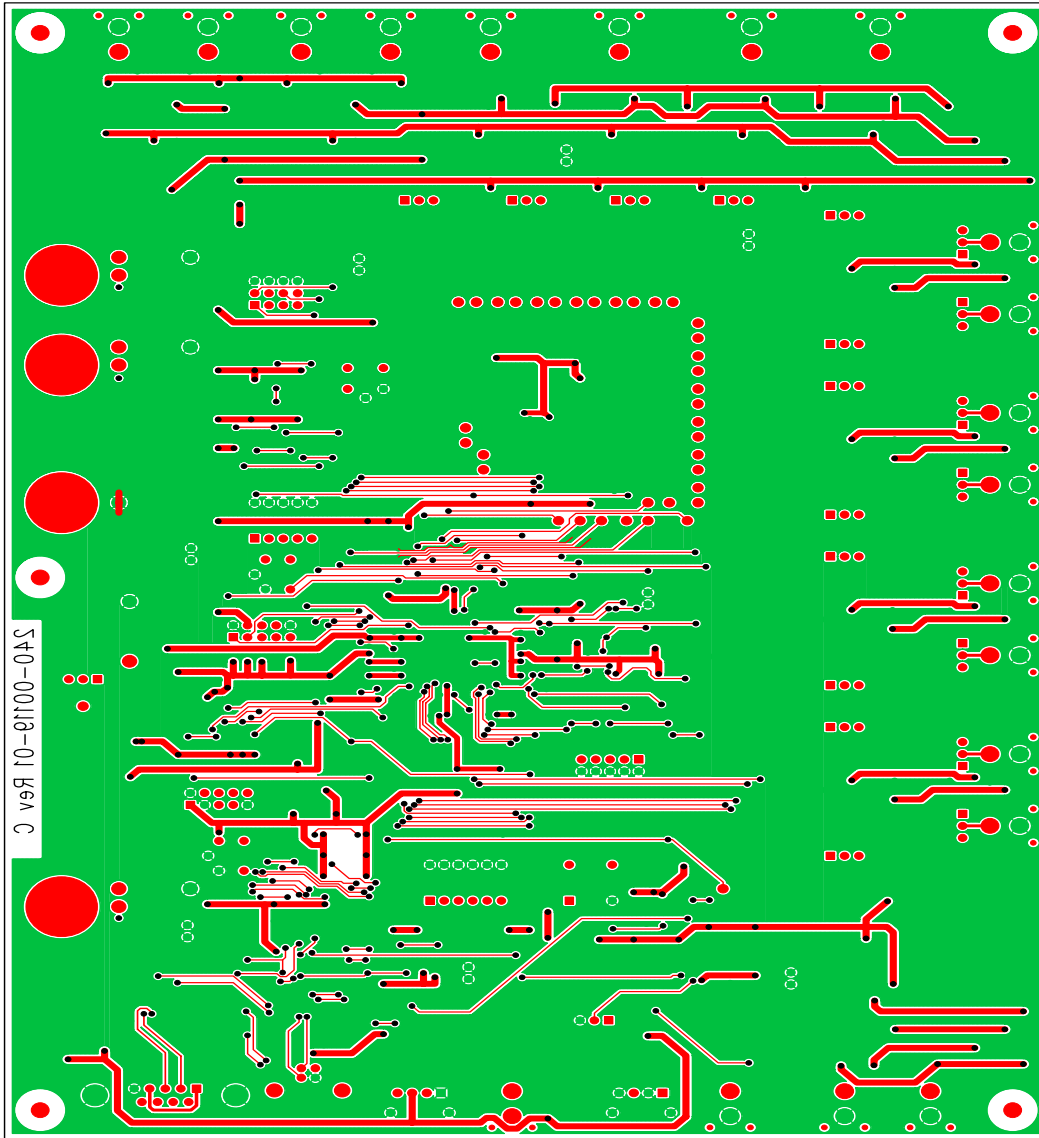


Figure 28. Bottom side Layer

## 11. REVISION HISTORY

Revision	Date	Changes
DB1	July 2004	Initial Release
DB2	OCT 2004	<p><b>Removed Bill of Materials</b></p> <p><b>Schematic Changes:</b> Changed R224, R226, R228, R230, R234, R235, R236, R237 from 6.19 k<math>\Omega</math> to 4.75 k<math>\Omega</math> on Figure 21 on page 43, Figure 22 on page 44, Figure 23 on page 45, Figure 24 on page 46.</p> <p><b>Layer Changes:</b> Corrected silk screen labels for S1, J8, J11, and J24 on Figure 26 on page 48. Changed bottom layer lot number on Figure 28 on page 50.</p>

Table 7. Revision History

### Contacting Cirrus Logic Support

For all product questions and inquiries contact a Cirrus Logic Sales Representative.  
To find one nearest you go to [www.cirrus.com](http://www.cirrus.com)

#### IMPORTANT NOTICE

Cirrus Logic, Inc. and its subsidiaries ("Cirrus") believe that the information contained in this document is accurate and reliable. However, the information is subject to change without notice and is provided "AS IS" without warranty of any kind (express or implied). Customers are advised to obtain the latest version of relevant information to verify, before placing orders, that information being relied on is current and complete. All products are sold subject to the terms and conditions of sale supplied at the time of order acknowledgment, including those pertaining to warranty, patent infringement, and limitation of liability. No responsibility is assumed by Cirrus for the use of this information, including use of this information as the basis for manufacture or sale of any items, or for infringement of patents or other rights of third parties. This document is the property of Cirrus and by furnishing this information, Cirrus grants no license, express or implied under any patents, mask work rights, copyrights, trademarks, trade secrets or other intellectual property rights. Cirrus owns the copyrights associated with the information contained herein and gives consent for copies to be made of the information only for use within your organization with respect to Cirrus integrated circuits or other parts of Cirrus. This consent does not extend to other copying such as copying for general distribution, advertising or promotional purposes, or for creating any work for resale.

CERTAIN APPLICATIONS USING SEMICONDUCTOR PRODUCTS MAY INVOLVE POTENTIAL RISKS OF DEATH, PERSONAL INJURY, OR SEVERE PROPERTY OR ENVIRONMENTAL DAMAGE ("CRITICAL APPLICATIONS"). CIRRUS PRODUCTS ARE NOT DESIGNED, AUTHORIZED OR WARRANTED FOR USE IN AIRCRAFT SYSTEMS, MILITARY APPLICATIONS, PRODUCTS SURGICALLY IMPLANTED INTO THE BODY, LIFE SUPPORT PRODUCTS OR OTHER CRITICAL APPLICATIONS (INCLUDING MEDICAL DEVICES, AIRCRAFT SYSTEMS OR COMPONENTS AND PERSONAL OR AUTOMOTIVE SAFETY OR SECURITY DEVICES). INCLUSION OF CIRRUS PRODUCTS IN SUCH APPLICATIONS IS UNDERSTOOD TO BE FULLY AT THE CUSTOMER'S RISK AND CIRRUS DISCLAIMS AND MAKES NO WARRANTY, EXPRESS, STATUTORY OR IMPLIED, INCLUDING THE IMPLIED WARRANTIES OF MERCHANTABILITY AND FITNESS FOR PARTICULAR PURPOSE, WITH REGARD TO ANY CIRRUS PRODUCT THAT IS USED IN SUCH A MANNER. IF THE CUSTOMER OR CUSTOMER'S CUSTOMER USES OR PERMITS THE USE OF CIRRUS PRODUCTS IN CRITICAL APPLICATIONS, CUSTOMER AGREES, BY SUCH USE, TO FULLY INDEMNIFY CIRRUS, ITS OFFICERS, DIRECTORS, EMPLOYEES, DISTRIBUTORS AND OTHER AGENTS FROM ANY AND ALL LIABILITY, INCLUDING ATTORNEYS' FEES AND COSTS, THAT MAY RESULT FROM OR ARISE IN CONNECTION WITH THESE USES.

I<sup>2</sup>C is a registered trademark of Philips Semiconductor. Purchase of I<sup>2</sup>C components of Cirrus Logic, Inc., or one of its sublicensed Associated Companies conveys a license under the Phillips I<sup>2</sup>C Patent Rights to use those components in a standard I<sup>2</sup>C system.

Cirrus Logic, Cirrus, the Cirrus Logic logo designs, and PopGuard are trademarks of Cirrus Logic, Inc. All other brand and product names in this document may be trademarks or service marks of their respective owners.

Windows® is a registered trademark of Microsoft Corporation.