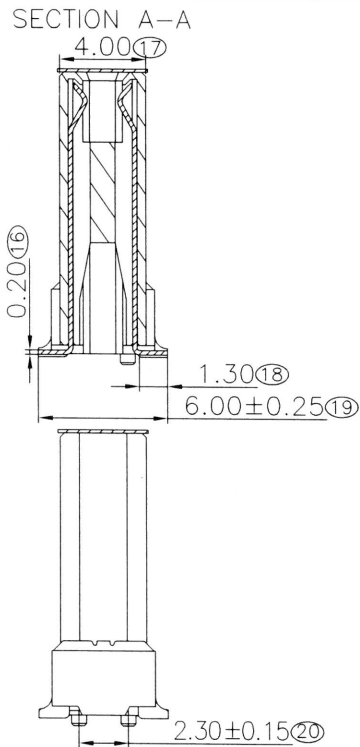
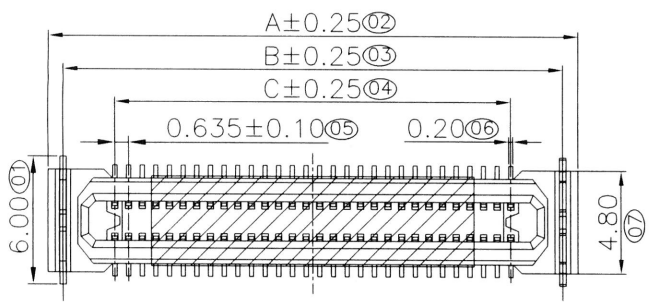


1 2 3 4 5 6 7 8 9

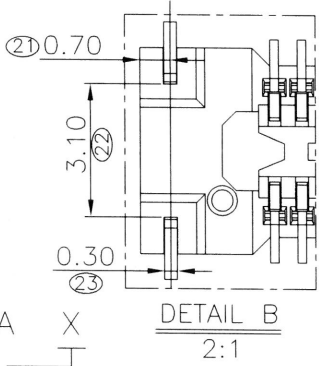
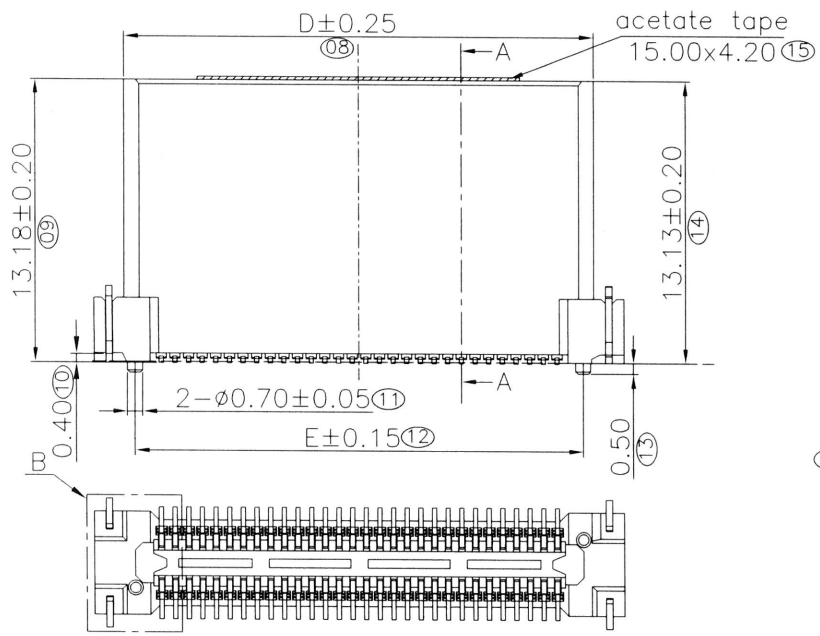
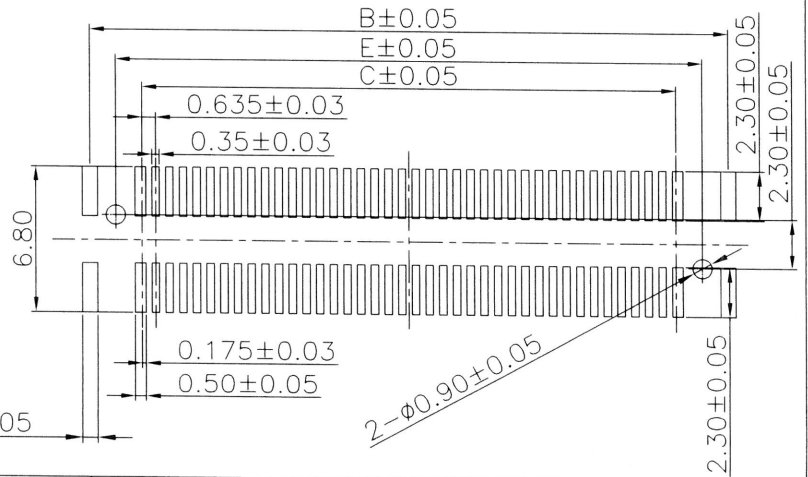


REV.	LOCAS.	DESCRIPTION	DATE	DRAWN
01	NEW	BATCH PRODUCTION INITIAL RELEASE.	2022.07.12	王文睿

Specifications
 Current Rating:0.5Amp
 Insulation Resistance:500MΩMin.
 Dielectric Withstanding Voltage:200VAC
 Contact Resistance:100mΩMax.
 Operating Temperature:-40°C to +105°C
 Materials
 Contact Material:Phosphor Bronze
 Insulator Material:High Temperature Thermoplastic, UL 94V-0 LCP or the equivalent material
 All materials must meet GREENCONN hazardous substances control standards.

No. of PIN/ROW	Dimension Information				
	A	B	C	D	E
2x30	24.65	23.25	18.42	21.85	20.85
2x40	31.00	29.60	24.77	28.20	27.20

Recommended P.C.Board Layout
 (Tolerance:±0.05)



Ordering Information

C GZC203 - XX XX B 001 C 1 A X
 No. Of Pins Per Row 30,40
 Standard Plating 02=Gold Flash 09=3u"AU/Gold Flash
 Color 1=Black
 Standard Packing H=Acetate tape +Tape&Reel



3RD.ANG PROJ.		GENERAL TOLERANCE	
PAGE. 1/1	SCALE. 3:1	X'±5.0'	X±0.30
		.X'±3.0'	.X±0.25
		.XX'±2.0'	.XX±0.15
		.XXX'±1.0'	.XXX±0.10

DESIGNED: 王文睿
 CHECKED: 苗蕊
 APPROVED: 林文峰
 DATE: 2022.07.12
 DATE: 2022.7.13
 DATE: 2022.7.13

DWG. NO. CGZC203-CB001
 PART NO. CGZC203-XXXXB001C1AX

TITLE. 0.635mm PITCH BTB FLOATING CONNECTOR

1 2 3 4 5 6 7 8 9