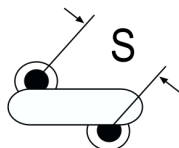
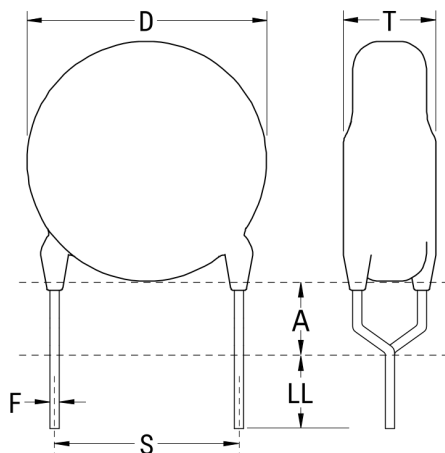


ERK610Z331KYCR

Aliases (C811YC331K440X, ERK610RK3330KYCR)

Obsolete

ERK610 SFTY X1-440 Y2-300, Ceramic, 330 pF, 10%, 440 VAC (X1), 300 VAC (Y2), Y5T, Lead Spacing = 7.5mm



The measurement position of Lead Spacing (S) and Width (V) is critical in straight lead capacitors.

General Information

Series	ERK610 SFTY X1-440 Y2-300
Style	Radial Disc
Description	Ceramic Single Layer Safety Disc Capacitors
RoHS	Yes
Termination	Tin
Qualifications	UL, CSA, CAN, ENEC, VDE
AEC-Q200	No
Notes	Please See Bulletin For Taping Information. H0 Dimension Refers to Seating Plane To Center Hole of Tape.

Specifications

Capacitance	330 pF
Capacitance Tolerance	10%
Voltage AC	440 VAC (X1), 300 VAC (Y2)
Temperature Range	-40/+125°C
Temperature Coefficient	Y5T
Dissipation Factor	2.5%
Insulation Resistance	6 GOhms
Safety Class	X1/Y2

Click [here](#) for the 3D model.

Dimensions

D	8mm MAX
T	6mm MAX
S	7.5mm +0.8/-0.2mm
H0	16mm +/-0.5mm
F	0.6mm +/-0.05mm
A	4.5mm MAX
V	1.9mm +/-0.5mm

Packaging Specifications

Packaging T&R, H0 = 16mm, Component Pitch = 12.7mm

Statements of suitability for certain applications are based on our knowledge of typical operating conditions for such applications, but are not intended to constitute - and we specifically disclaim - any warranty concerning suitability for a specific customer application or use. This information is intended for use only by customers who have the requisite experience and capability to determine the correct products for their application. Any technical advice inferred from this information or otherwise provided by us with reference to the use of our products is given gratis, and we assume no obligation or liability for the advice given or results obtained.