

IWDigT SERIES

INDUSTRIAL WIRELESS DIGITAL TRANSMITTER



Typical Applications Include

- Simple cable replacement installation
 - dispense with expensive and tortuous cable runs
- Process Doors and Machine Access Points
 - monitor open/closed status
- Water, Gas, Electricity Meters
 - ingest a pulse counter input and transmit

SPECIFICATIONS

Transmitter Output

*Transmission Frequency	2.4 Ghz using ISM bands
Transmit Power	18 dBm
System Channel	User selectable via DIL switch
Antenna	Integral OdBi

*Compliant with EN 300 328, V1.8.1

Material Specifications

Wireless Enclosure Material	Plastic
Weight	150g including battery
*Installation position	Any
Environmental protection	Designed to IP68 (not recommended for submersion due to signal loss)

*Consult installation manual to ensure adequate signal path between transmitter and receiver

The IWDigT Wireless Transmitter is a cost effective alternative to traditional wiring that offers the advantages of a low-cost installation in inaccessible and expensive installation environments. It is easily paired to any of the range of IWR receivers - thus offering a “plug and play” solution to your digital switched or pulse counter application.

The IWDigT sensor should be used with any of the IWR range of receivers. A line-of-sight range of up to 500 m is possible depending on the wireless receiver used (refer to specific receiver datasheets for further information).

Features

- Wireless transmission of single digital signal
- Up to 500 m line-of-site range (depending on receiver)
- Five-year battery life at 10 second transmission update rate
- Simple DIL switch pairing with the single or five channel receivers
- A range of receivers are available
- User-selectable transmission update rates
- Receiver clean contacts provide process alarm functions

Instrument Power Source

Battery Type	User replaceable Lithium C cell
Battery Life	Five years at 10 second update rate
Battery Shelf Life	10 years

Temperatures

Ambient Temperature range	-20°C to +50°C
Storage Temperature	-20°C to +80°C

Input/Output Signals

Input (transmitter)	1 x volt free contacts
Receiver Part Number Receiver Outputs	
IoT Gateway	Pairs with up to 128 wireless transmitters. Sends data via MQTT to on-premises servers or the cloud using the built-in 2G/3G or 4G modem. 8 Digital Inputs, 4 relay outputs.
IWR-PORT	RS-232 or RS-485 or Ethernet MODBUS Communications. Up to 128 off analog 4-20 mA or Relay outputs can be obtained by fitting extra ISOSLICE I/O modules
IWR-USB	Displays & Logs data on any PC running IWR-USB software
IWR-5	5 off 4-20 mA or 1-5 V dc and 1 Relay output
IWR-1	1 off 4-20 mA and 1-5 V dc and 1 Relay output

***Transmission Update Rate 1, 5, 10 and 30 seconds

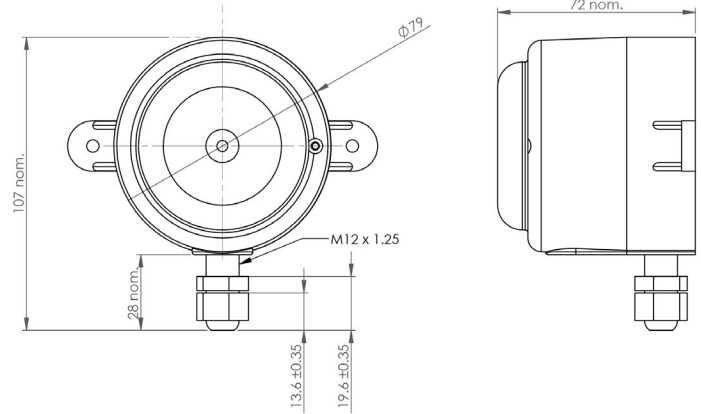
*** Consult installation manual for set-up:

- single channel system is DIL switch configurable
- five channel system requires set-up using "IWR Set" user software



DIMENSIONS

All dimensions are in millimeters



ORDERING OPTIONS

Wireless transmitter	Switched version = IWDIGT-S-00 Pulsed version = IWDIGT-P-00
Spare battery	IBAT-1
Receivers	See IWR-1, IWR-5, IWR-PORT, IoT Gateway and IWR-USB data sheets
Five Channel Configuration Software	IWR-Set (free download*)

*Download user configuration software [here](#)

Made in the UK

Page 2

Sensata Technologies, Inc. ("Sensata") data sheets are solely intended to assist designers ("Buyers") who are developing systems that incorporate Sensata products (also referred to herein as "components"). Buyer understands and agrees that Buyer remains responsible for using its independent analysis, evaluation and judgment in designing Buyer's systems and products. Sensata data sheets have been created using standard laboratory conditions and engineering practices. Sensata has not conducted any testing other than that specifically described in the published documentation for a particular data sheet. Sensata may make corrections, enhancements, improvements and other changes to its data sheets or components without notice.

Buyers are authorized to use Sensata data sheets with the Sensata component(s) identified in each particular data sheet. HOWEVER, NO OTHER LICENSE, EXPRESS OR IMPLIED, BY ESTOPPEL OR OTHERWISE TO ANY OTHER SENSATA INTELLECTUAL PROPERTY RIGHT, AND NO LICENSE TO ANY THIRD PARTY TECHNOLOGY OR INTELLECTUAL PROPERTY RIGHT, IS GRANTED HEREIN. SENSATA DATA SHEETS ARE PROVIDED "AS IS". SENSATA MAKES NO WARRANTIES OR REPRESENTATIONS WITH REGARD TO THE DATA SHEETS OR USE OF THE DATA SHEETS, EXPRESS, IMPLIED OR STATUTORY, INCLUDING ACCURACY OR COMPLETENESS. SENSATA DISCLAIMS ANY WARRANTY OF TITLE AND ANY IMPLIED WARRANTIES OF MERCHANTABILITY, FITNESS FOR A PARTICULAR PURPOSE, QUIET ENJOYMENT, QUIET POSSESSION, AND NON-INFRINGEMENT OF ANY THIRD PARTY INTELLECTUAL PROPERTY RIGHTS WITH REGARD TO SENSATA DATA SHEETS OR USE THEREOF.

All products are sold subject to Sensata's terms and conditions of sale supplied at www.sensata.com SENSATA ASSUMES NO LIABILITY FOR APPLICATIONS ASSISTANCE OR THE DESIGN OF BUYERS' PRODUCTS. BUYER ACKNOWLEDGES AND AGREES THAT IT IS SOLELY RESPONSIBLE FOR COMPLIANCE WITH ALL LEGAL, REGULATORY AND SAFETY-RELATED REQUIREMENTS CONCERNING ITS PRODUCTS, AND ANY USE OF SENSATA COMPONENTS IN ITS APPLICATIONS, NOTWITHSTANDING ANY APPLICATIONS-RELATED INFORMATION OR SUPPORT THAT MAY BE PROVIDED BY SENSATA.

Mailing Address: Sensata Technologies, Inc., 529 Pleasant Street, Attleboro, MA 02703, USA.

CONTACT US

EUROPE
+44 (0)1202 897969
c3w_sales@sensata.com
Cynergy3 Components Ltd.
7 Cobham Road,
Ferndown Industrial Estate,
Wimborne, Dorset,
BH21 7PE, United Kingdom

USA
+1 310 561 8092 / +1 866 258 5057
c3w_sales@sensata.com