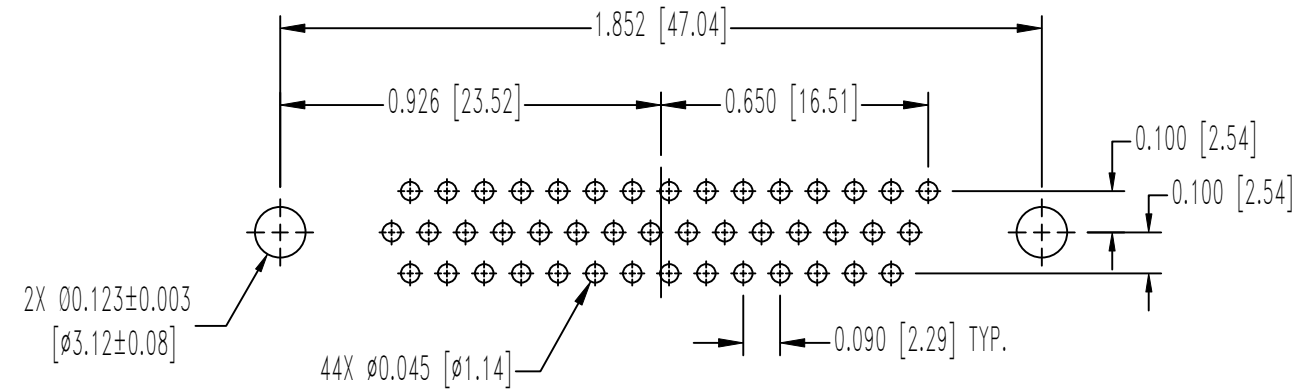
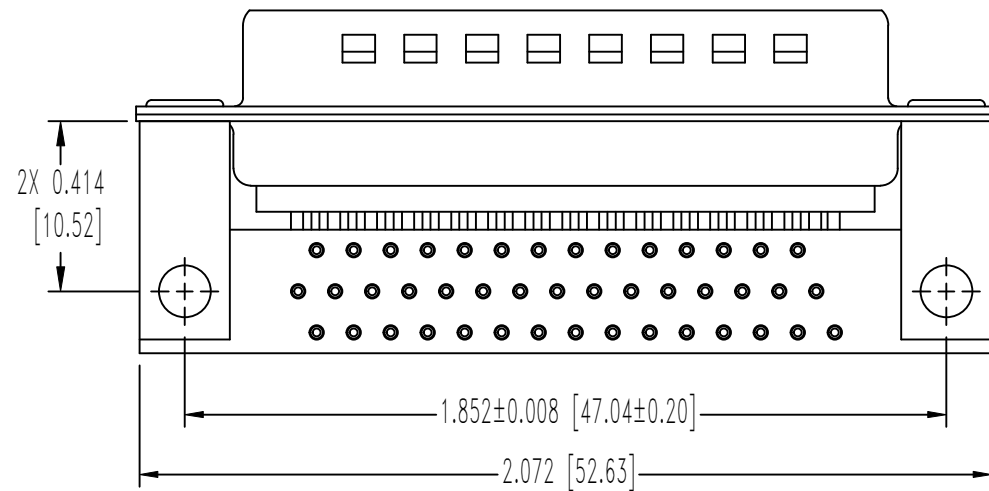
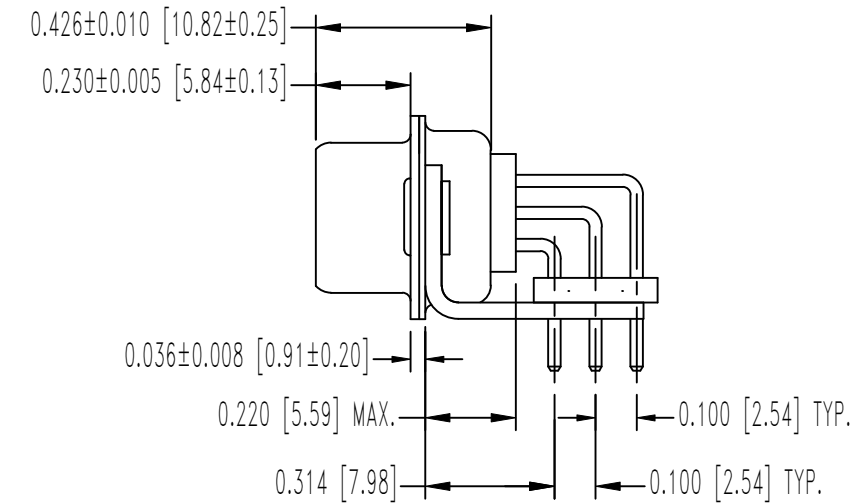
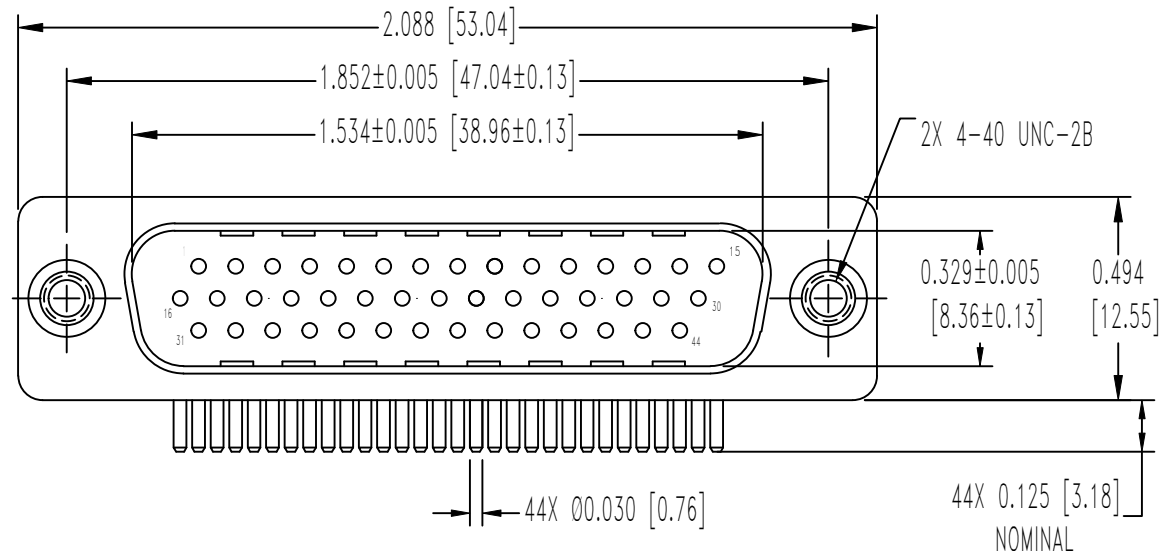


DATE	REV	REVISION RECORD	APP	DR	CK
10-29-11	NC	ECO 34655	COLE	LO	COLE
8-6-13	A	ECO 40346	COLE	BE	COLE

THIS DRAWING CONTAINS INFORMATION PROPRIETARY TO POSITRONIC AND ITS SUBSIDIARIES. POSITRONIC BELIEVES THE DATA ON THIS DRAWING TO BE RELIABLE, SINCE THE TECHNICAL INFORMATION IS GIVEN FREE OF CHARGE, THE USER EMPLOYS SUCH INFORMATION AT HIS OWN DISCRETION AND RISK. POSITRONIC ASSUMES NO RESPONSIBILITY FOR RESULTS OBTAINED OR DAMAGES INCURRED FROM USE OF SUCH INFORMATION IN WHOLE OR IN PART.



CONTACT HOLE PATTERN

NOTES:

- MATERIALS AND FINISHES:  
 INSULATORS: GLASS FILLED POLYESTER PER ASTM D5927, UL 94V-0, COLOR BLACK.  
 CONTACTS: COPPER ALLOY, GOLD FLASH OVER NICKEL FINISH.  
 SHELLS: STEEL, TIN PLATED AND DIMPLED.  
 MOUNTING BRACKETS: BRASS, TIN PLATE.  
 ALIGNMENT BAR: GLASS FILLED POLYESTER, COLOR BLACK.  
 THREADED RIVETS: STEEL, TIN PLATE.
- DETAILED PRODUCT, ELECTRICAL, AND MECHANICAL INFORMATION IS AVAILABLE IN THE LATEST HIGH DENSITY D-SUB PRODUCT PUBLICATION. VISIT [CONNECTPOSITRONIC.COM/PRODUCTS/59/HIGHDENSITYD-SUBMINIATURE](http://CONNECTPOSITRONIC.COM/PRODUCTS/59/HIGHDENSITYD-SUBMINIATURE) OR [CONNECTPOSITRONIC.COM](http://CONNECTPOSITRONIC.COM).
- CONNECTORS ARE COMPLIANT TO THE CURRENT ROHS DIRECTIVE.
- DIMENSIONS ARE IN INCHES [MILLIMETERS].

	<b>POSITRONIC INDUSTRIES INC.</b> www.connectpositronic.com		FSCM 28198
	DECIMAL TOL. ± 0.015 [0.38]	ODD SERIES	SCALE N.T.S.
ANGULAR TOL. ± 5°	TITLE ODD44M4R700Z/AA		
	DATE 10-29-11	DRAWING NUMBER SK12881	REV. A