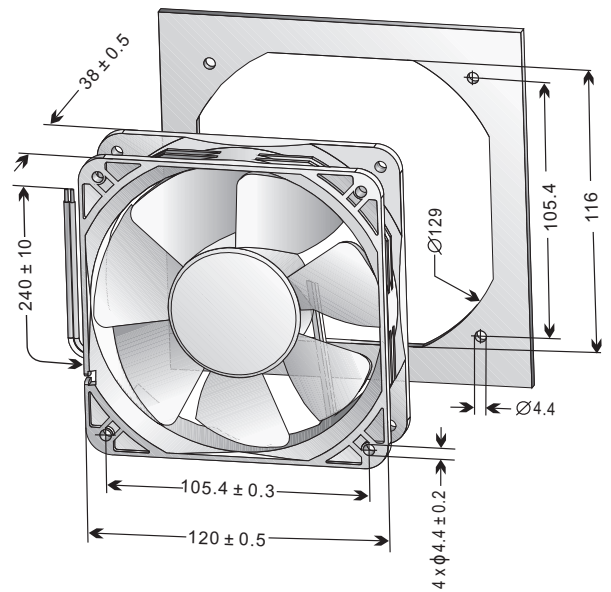


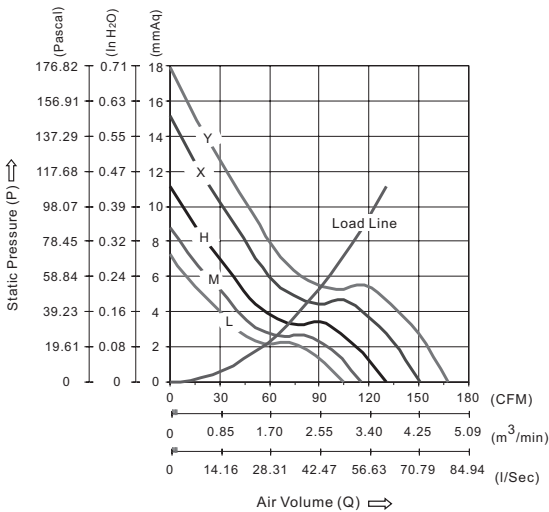
R-SERIES

120 x 120 x 38 mm

Frame: Thermoplastic PBT (GF 30%), UL94-V0
 Impeller: Thermoplastic PBT (GF 15%), UL94-V0
 Bearing System: Ball Bearing or Sleeve Bearing
 Lead Wire: UL 1007, AWG 24 / 240 mm, Red (+), Black (-)
 Protection: Locked rotor protected for minimum 72 hours



PQ GRAPH (AT RATED VOLTAGE)



AVAILABLE FUNCTIONS

1a. IR	1b. AS	1c. MS	2a. FG	2b. RD	2c. RDb	2d. LD	3. SG/PWM
●	●		●	●	●	●	
4. OV	5a. TPWM	5b. RPWM	6. CL	7. CS	8a. VPWM	8b. IPWM	8c. PPWM
●	●	●	●	●	●	●	●

Part Number	Voltage (VDC)	Current (Amp.)	Power (Watts)	Speed (RPM)	Air Flow (Q)		Pressure (P)		Noise (dBA)	Unit Weight (QTY/CTN)
					(CFM)	(m ³ /min)	(mmAq)	(In H ₂ O)		
R1238H05BPLBx-7	05 (04-06)	1.650	8.25	3250	130.45	3.694	11.14	0.439	46.13	315 g (40 pcs)
R1238M05BPLBx-7		1.187	5.93	2900	115.24	3.263	8.81	0.347	42.96	
R1238L05BPLBx-7		0.801	4.00	2600	104.46	2.958	7.26	0.286	39.83	
* R1238Y12BPLBx-7	12 (07-14)	1.600	19.20	4200	167.66	4.748	17.92	0.706	52.99	315 g (40 pcs)
R1238X12BPLBx-7		0.910	10.92	3750	150.71	4.268	15.17	0.597	50.32	
R1238H12BPLBx-7		0.600	7.20	3250	130.45	3.694	11.14	0.439	46.13	
R1238M12BPLBx-7		0.410	4.92	2900	115.24	3.263	8.81	0.347	42.96	
R1238L12BPLBx-7		0.290	3.48	2600	104.46	2.958	7.26	0.286	39.83	
* R1238Y24BPLBx-7	24 (15-27)	0.614	14.73	4200	167.66	4.748	17.92	0.706	52.99	315 g (40 pcs)
R1238X24BPLBx-7		0.460	11.04	3750	150.71	4.268	15.17	0.597	50.32	
R1238H24BPLBx-7		0.299	7.18	3250	130.45	3.694	11.14	0.439	46.13	
R1238M24BPLBx-7		0.249	5.97	2900	115.24	3.263	8.81	0.347	42.96	
R1238L24BPLBx-7		0.159	3.82	2600	104.46	2.958	7.26	0.286	39.83	
R1238Y48BPLBx-7	48 (30-57)	0.360	17.28	4200	167.66	4.748	17.92	0.706	52.99	315 g (40 pcs)
R1238X48BPLBx-7		0.226	10.86	3750	150.71	4.268	15.17	0.597	50.32	
R1238H48BPLBx-7		0.148	7.09	3250	130.45	3.694	11.14	0.439	46.13	
R1238M48BPLBx-7		0.130	6.24	2900	115.24	3.263	8.81	0.347	42.96	
R1238L48BPLBx-7		0.082	3.93	2600	104.46	2.958	7.26	0.286	39.83	

* small quantities available ex stock

- All MICRONEL fans listed here refer to double ball bearing types; Sleeve bearing types may consume about 10% more power for the same speed.
- Noise Measurements are taken with background noise of 16.8 dBA.
- Please see «Function Legend» for explanation of each function.
- Specifications are subject to change without notice.