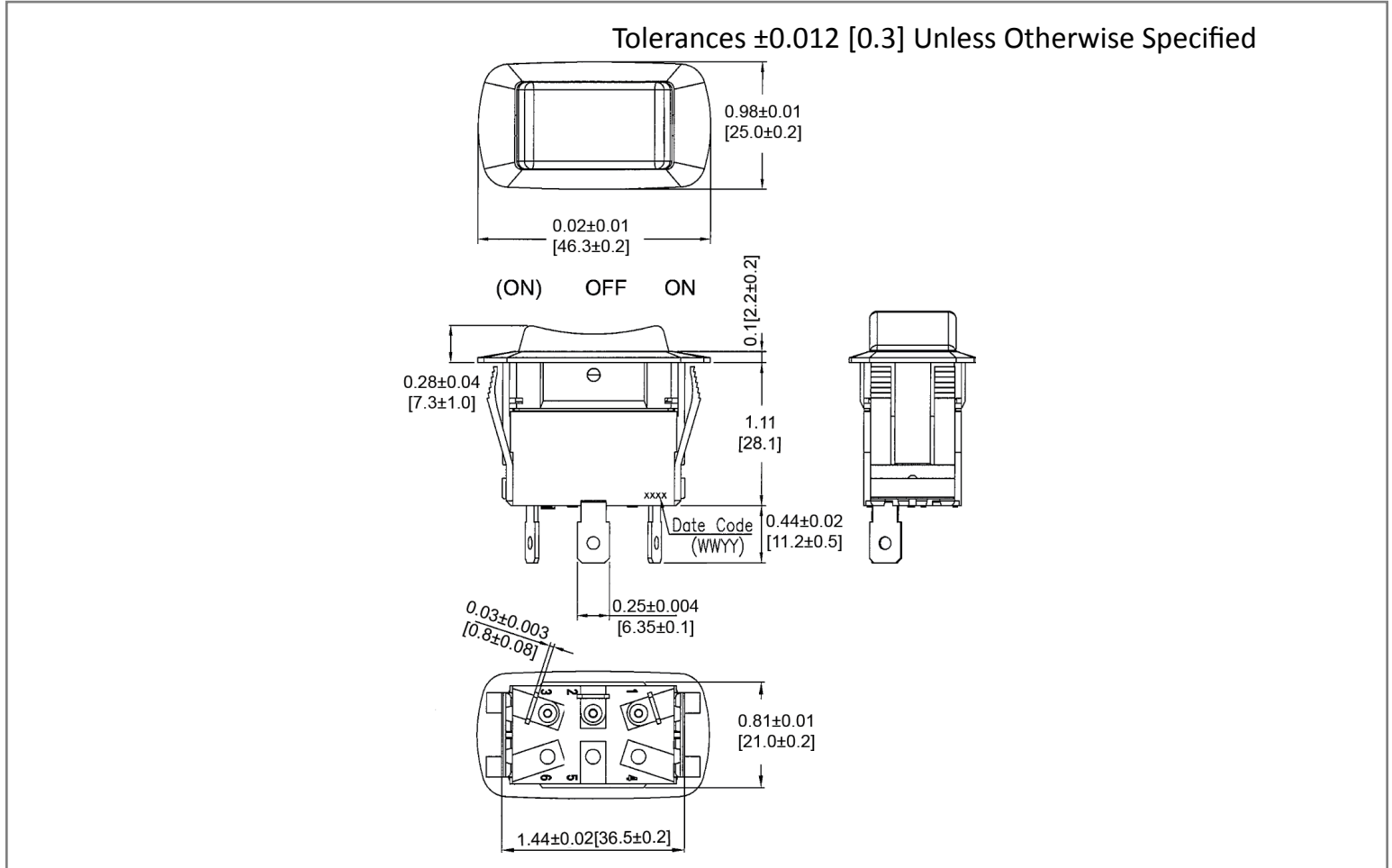
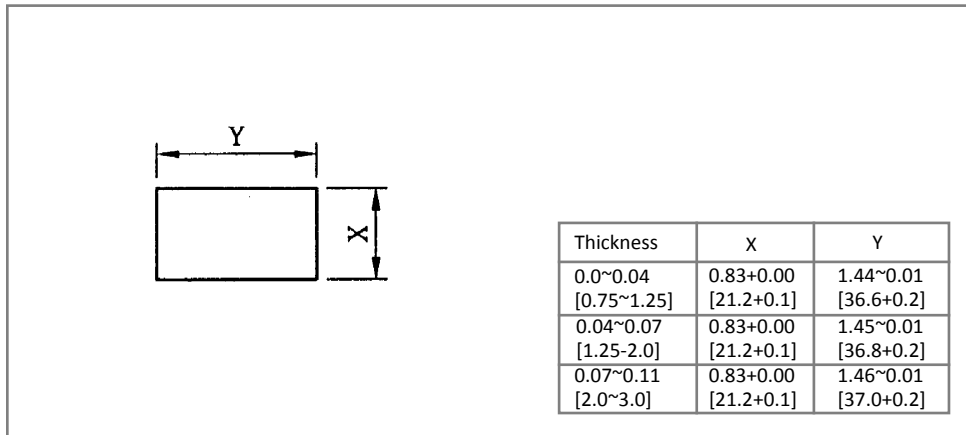


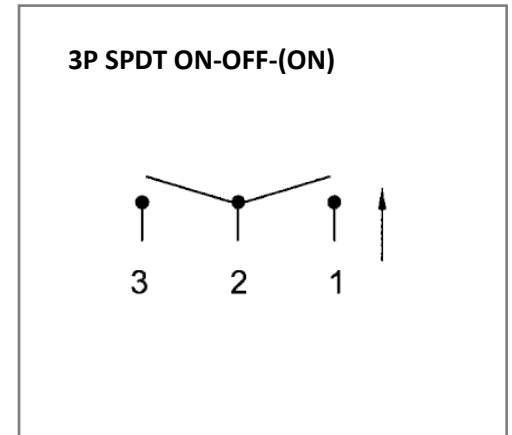
**Mechanical Dimensions: Inches [mm]**



**Mounting Hole**



**Circuit Diagram**



**Electrical Specifications**

<b>Rating</b>	16(4)A 125/250V AC. R/GP: 20A 125V AC  16A 125VAC 10A 277VAC 3/4HP
<b>Contact Resistance</b>	50m ohm Max
<b>Insulation Resistance</b>	DC 500V 100M ohm Min
<b>Dielectric Strength</b>	AC 1500V 1 minute
<b>Operation Temperature</b>	-20 C~85 C

**Material Specifications**

<b>Frame</b>	Black, Nylon 66
<b>Actuator</b>	Black, Nylon 66+33%GF
<b>Waterproof</b>	IP56

Rev	Date of issue	Revision Notes	Designed	Approved
A	01-15-2021	Initial Drawing	RC	OF