

SW-231-PIN



**Matched GaAs SPST Switch,
5 - 4000 MHz**

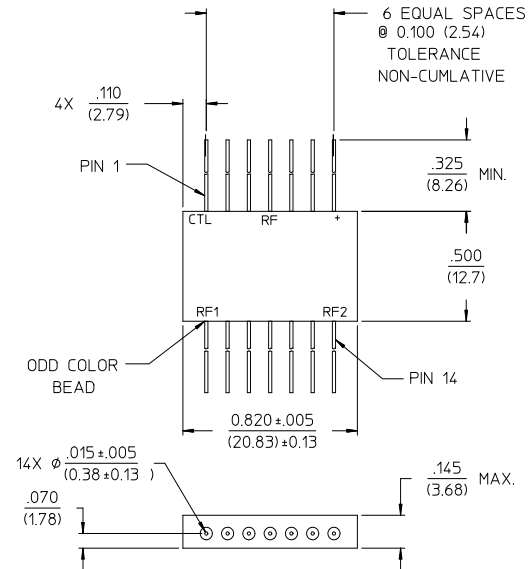
Rev. V3

Features

- Low Insertion Loss: 1.0 dB Typical
- Fast Switching Speed: 20 ns Typical
- Ultra Low DC Power Consumption: 0.07 mA Typical
- Integral TTL
- 50 Ohm Nominal Impedance
- MIL-STD-883 Screening Available

Description

Functional Block Diagram



Dimensions in () are in mm
 Unless Otherwise Noted: .XXX = ±0.010 (.XX = ±0.25)
 .XX = ±0.02 (.X = ±0.5)
 WEIGHT (APPROX): 0.14 OUNCES 4 GRAMS

Ordering Information

Part Number	Package
SW-231-PIN	FP-16

Note: Reference Application Note M513 for reel size information.

Note: Die quantity varies.

Truth Table

TTL Control Input "1" = Logic High TTL	Condition of Switch
	RF1 to RF2
1	ON
2	OFF

* Restrictions on Hazardous Substances, European Union Directive 2002/95/EC.

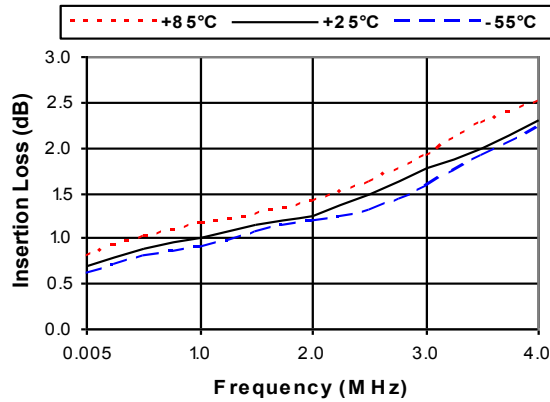
Electrical Specifications: $T_A = -55^{\circ}\text{C}$ to $+85^{\circ}\text{C}$ ¹

Parameter	Test Conditions	Frequency	Units	Min	Typ	Max
Insertion Loss	—	5 - 4000 MHz	dB	—	—	2.8
		5 - 2000 MHz	dB	—	—	1.5
		5 - 1000 MHz	dB	—	—	1.2
		5 - 500 MHz	dB	—	—	1.1
VSWR	—	5 - 4000 MHz	Ratio	—	—	2.3:1
		5 - 2000 MHz	Ratio	—	—	1.9:1
		5 - 1000 MHz	Ratio	—	—	1.5:1
		5 - 500 MHz	Ratio	—	—	1.4:1
Isolation	—	5 - 4000 MHz	dB	22	—	—
		5 - 2000 MHz	dB	37	—	—
		5 - 1000 MHz	dB	50	—	—
		5 - 500 MHz	dB	60	—	—
Ton, Toff Ton, Toff Transients	50% CTL to 90/10% RF	—	nS	—	7	—
	In-band	—	nS	—	20	—
		—	mV	—	70	—
1 dB Compression	Input Power	500 - 4000 MHz	dBm	—	+27	—
		50 MHz	dBm	—	+21	—
IP ₂	For two tone input power up to +13 dBm	500 - 4000 MHz	dBm	—	+68	—
		50 MHz	dBm	—	+60	—
IP ₃	For two tone input power up to +13 dBm	500 - 4000 MHz	dBm	—	+46	—
		50 MHz	dBm	—	+40	—
Bias Power	+5 VDC @ 0.07 mA Typical	—	mA	—	—	1

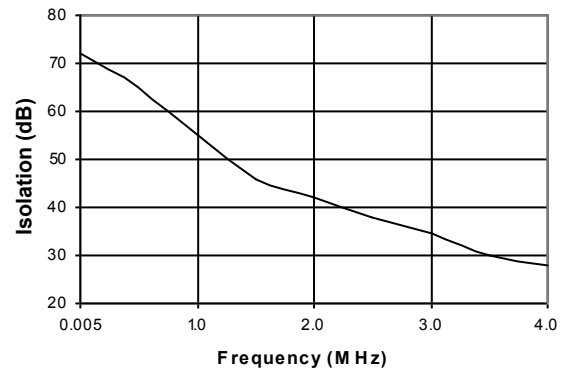
1. All specifications apply when operated with bias voltages of +5 VDC and 50 ohm impedance at all RF ports.

Typical Performance Curves

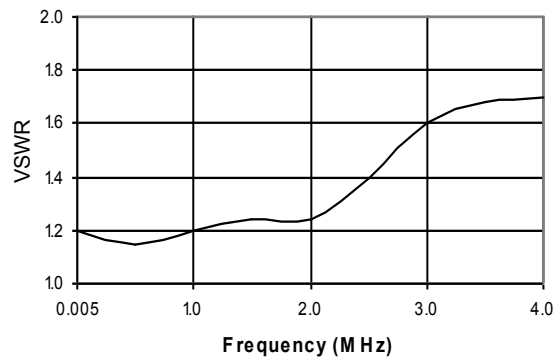
Insertion Loss



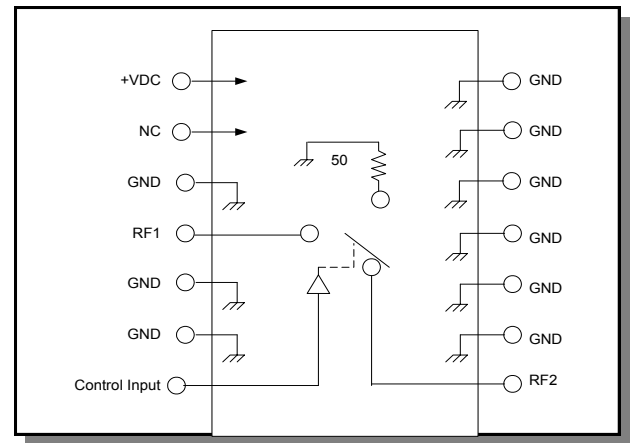
Isolation



VSWR



Schematic



M/A-COM Technology Solutions Inc. All rights reserved.

Information in this document is provided in connection with M/A-COM Technology Solutions Inc ("MACOM") products. These materials are provided by MACOM as a service to its customers and may be used for informational purposes only. Except as provided in MACOM's Terms and Conditions of Sale for such products or in any separate agreement related to this document, MACOM assumes no liability whatsoever. MACOM assumes no responsibility for errors or omissions in these materials. MACOM may make changes to specifications and product descriptions at any time, without notice. MACOM makes no commitment to update the information and shall have no responsibility whatsoever for conflicts or incompatibilities arising from future changes to its specifications and product descriptions. No license, express or implied, by estoppel or otherwise, to any intellectual property rights is granted by this document.

THESE MATERIALS ARE PROVIDED "AS IS" WITHOUT WARRANTY OF ANY KIND, EITHER EXPRESS OR IMPLIED, RELATING TO SALE AND/OR USE OF MACOM PRODUCTS INCLUDING LIABILITY OR WARRANTIES RELATING TO FITNESS FOR A PARTICULAR PURPOSE, CONSEQUENTIAL OR INCIDENTAL DAMAGES, MERCHANTABILITY, OR INFRINGEMENT OF ANY PATENT, COPYRIGHT OR OTHER INTELLECTUAL PROPERTY RIGHT. MACOM FURTHER DOES NOT WARRANT THE ACCURACY OR COMPLETENESS OF THE INFORMATION, TEXT, GRAPHICS OR OTHER ITEMS CONTAINED WITHIN THESE MATERIALS. MACOM SHALL NOT BE LIABLE FOR ANY SPECIAL, INDIRECT, INCIDENTAL, OR CONSEQUENTIAL DAMAGES, INCLUDING WITHOUT LIMITATION, LOST REVENUES OR LOST PROFITS, WHICH MAY RESULT FROM THE USE OF THESE MATERIALS.

MACOM products are not intended for use in medical, lifesaving or life sustaining applications. MACOM customers using or selling MACOM products for use in such applications do so at their own risk and agree to fully indemnify MACOM for any damages resulting from such improper use or sale.