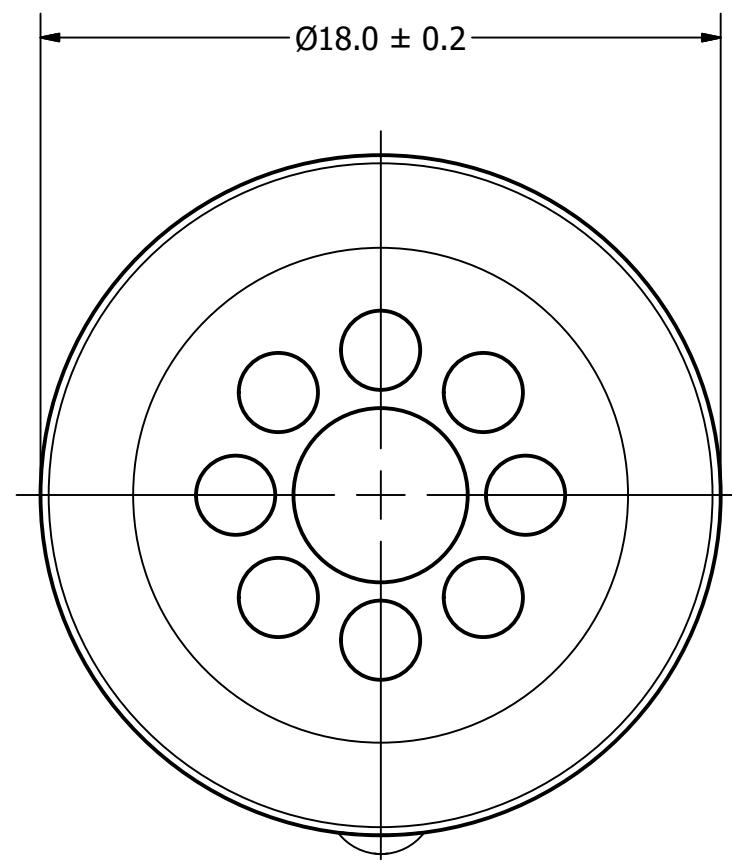
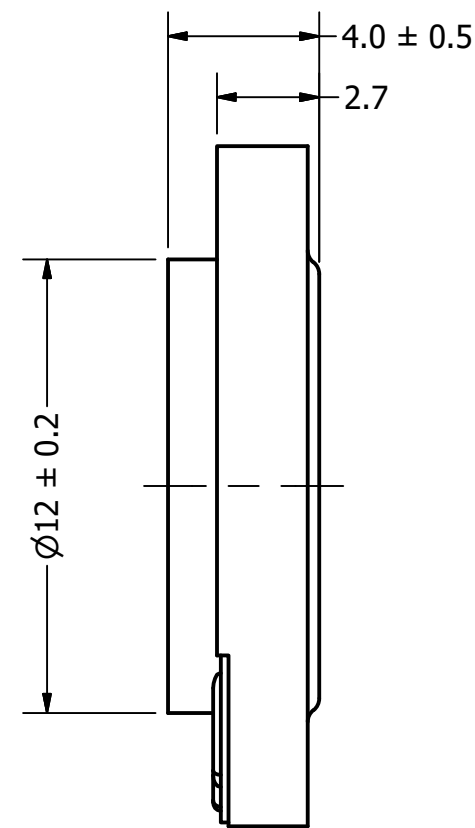


Part Number:	<b>SW181004-1</b>	
DRAWN	CJ	3/10/2017
CHECKED		10/6/2017
P.D.		10/6/2017
Description:	<b>Waterproof Dynamic Speaker</b>	
APPROVED	C.E.	10/6/2017
This document contains data proprietary to DB Unlimited. Any use or reproduction, in any form, without prior written permission of DB Unlimited is prohibited. All terms and conditions can be found at <a href="http://www.dbunlimitedco.com">www.dbunlimitedco.com</a>		

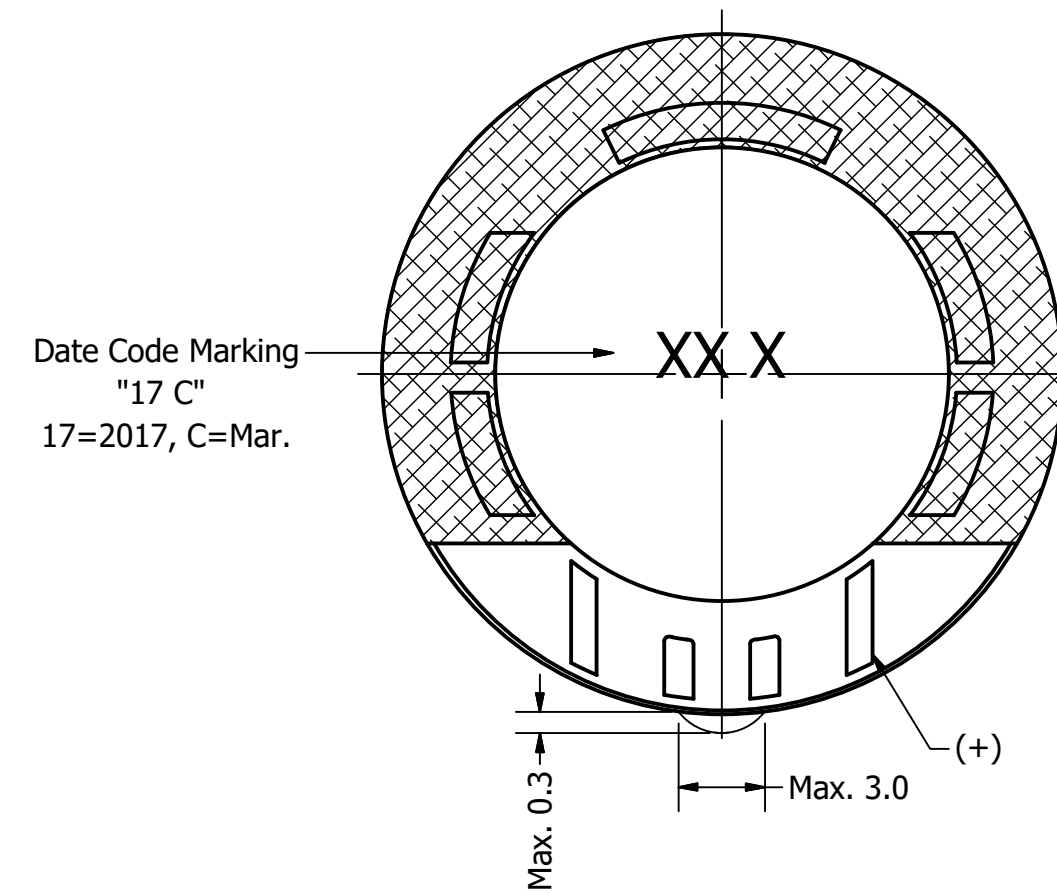
Top View



Side View



Bottom View



Items	Specifications	Conditions	REVISION HISTORY			
			REV	DESCRIPTION	DATE	APPROVED
Sound Pressure Level	92	dB (@ 10cm), Avg.		Released from Engineering	10/6/2017	C.E.
Resonant Frequency	900	Hz	1	Added polarity marking	10/25/2017	C.E.
Frequency Range	900 ~ 10,000	Hz	2	Update height, add detail to bottom view	3/21/2018	C.E.
Nominal Power	1	W	3	Update frequency range, resonant frequency	4/10/2018	C.E.
Max. Power	1.2	W	4	Updated height tolerance	4/20/2018	C.E.
Impedance	4	Ω				
Cone Material	Mylar					
Mount Type	Flush Mount					
IP Rating	IP67					
Storage Temperature	-20 ~ +55	°C				
Operating Temperature	-20 ~ +55	°C				
Weight	2.04	g				

NOTES

- 1) All dimensions are in mm unless otherwise noted
- 2) All tolerances are ± 0.3 mm unless otherwise noted
- 3) All parts meet RoHS
- 4) Subject to change or redrawn without notice